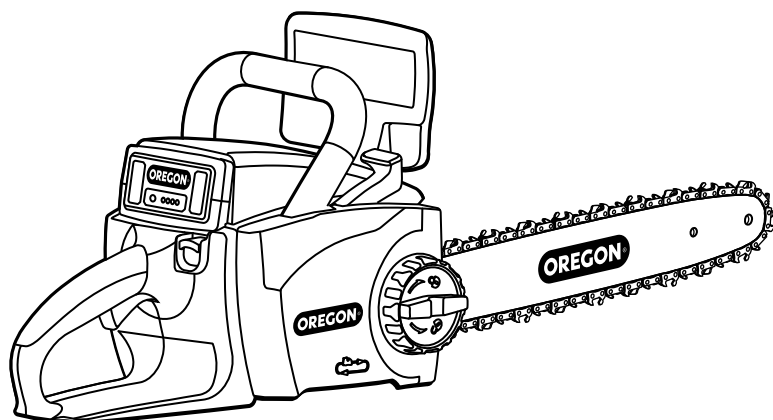


OREGON®



**Original Instruction Manual
Chain Saw Model CS300**

**Manuel D'instruction Original
Tronçonneuse Modèle CS300**

**Manual de Instrucciones Original
Motosierra Modelo CS300**

**Manual de Instruções Original
Motosserra Modelo CS300**



| | |
|-------------------|---|
| English | 4 |
|-------------------|---|

▲ WARNING: Read and understand all safety warnings and all instructions.

Failure to follow the warnings and instructions may result in electric shock, fire and/or serious injury. Save all warnings and instructions for future reference.

This instruction manual contains translations of a manual drafted in English and are provided to assist those who do not speak English as their first language. Being a technical writing, some terms may not have a like or equivalent meaning as translated. Therefore, you should not rely on this translation, and should cross-reference the English version, where relying on the translated instructions could result in harm to your person or property.

| | |
|--------------------|----|
| Français | 40 |
|--------------------|----|

▲ AVERTISSEMENT : Prenez connaissance de tous les avertissements et consignes de sécurité. L'inobservation de ces avertissements et consignes comporte des risques d'électrocution, d'incendie et/ou de lésions graves. Rangez ces consignes et avertissements en lieu sûr afin de pouvoir les consulter ultérieurement.

Ce manuel d'utilisation contient plusieurs traductions d'un document rédigé en anglais. Ces traductions visent à aider les utilisateurs dont l'anglais n'est pas la langue maternelle. Comme il s'agit d'un document technique, certains termes sont susceptibles de prendre une signification différente après traduction. Par conséquent, vous ne devez pas vous fier aveuglément à cette traduction. Reportez-vous à la version anglaise si vous percevez que le respect des consignes traduites pourrait occasionner des dommages matériels ou des lésions corporelles.

| | |
|-------------------|----|
| Español | 76 |
|-------------------|----|

▲ ADVERTENCIA: Lea y entienda todas las advertencias de seguridad e instrucciones. El incumplimiento de las advertencias e instrucciones puede dar lugar a descargas eléctricas, incendios o lesiones graves. Guarde todas las advertencias e instrucciones para referencia futura.

Este manual de instrucciones contiene traducciones de un manual redactado en inglés y se ofrece para ayudar a aquellos que no hablan inglés como primer idioma. Al tratarse de un texto técnico, algunos términos pueden no tener un significado similar o equivalente en la traducción. Por lo tanto, no debe confiar en esta traducción, y debería ir consultando la versión inglesa en aquellos puntos donde la confianza en las instrucciones traducidas pueda causar daños a su persona o a la propiedad.

| | |
|---------------------|-----|
| Português | 112 |
|---------------------|-----|

▲ ADVERTÊNCIA: Leia e entenda todas as advertências e instruções de segurança. A falha em seguir todas as advertências e instruções pode resultar em choque elétrico, incêndio e/ou lesão pessoal séria. Preserve todas as advertências e instruções para consulta futura.

Este manual de instruções contém traduções de um manual escrito em inglês, e tem a finalidade de ajudar quem não fala inglês como idioma nativo. Como se trata de escrita técnica, alguns termos podem não ter um significado semelhante ou equivalente quando traduzidos. Portanto, não confie unicamente nesta tradução. Consulte a versão em inglês quando confiar na tradução em português puder resultar em danos pessoais ou à propriedade.

Table of Contents



| | |
|---|----|
| Important Safety Instructions | 5 |
| Safety Signal Definitions | 5 |
| General Power Tool Safety Warnings | 5 |
| Work Area Safety | 5 |
| Electrical Safety | 5 |
| Personal Safety | 6 |
| Power Tool Use And Care | 6 |
| Battery Tool Use and Care | 7 |
| Service | 7 |
| Chain Saw Safety Warnings | 7 |
| Causes and Operator Prevention of Kickback | 10 |
| Kickback Safety Devices on This Saw | 10 |
| Storage, Transporting, and Disposal | 11 |
| Battery Safety | 12 |
| Charger Safety | 13 |
| Symbols and Labels | 14 |
| Chain Saw Names And Terms | 15 |
| Product Identification | 16 |
| Unpacking and Assembly | 17 |
| Checking the Front Hand Guard Position | 17 |
| Filling the Bar and Chain Oil Reservoir | 18 |
| Assembling the Guide Bar and Saw Chain | 19 |
| Tensioning the Saw Chain | 20 |
| Operating the Saw | 22 |
| Battery Pack and Charger | 22 |
| General Operation | 24 |
| Cutting | 25 |
| Sharpening with PowerSharp® | 30 |
| Maintenance and Cleaning | 31 |
| Inspection | 31 |
| Tensioning the Saw Chain | 32 |
| Replacing a Worn Saw Chain and Sharpening Stone | 32 |
| Maintaining the Guide Bar | 33 |
| Replacing a Worn Guide Bar | 33 |
| Replacing a Worn Chain Tensioning Gear | 34 |
| Replacing the Drive Sprocket | 34 |
| Cleaning | 35 |
| Battery Pack | 35 |
| Charger | 35 |
| Additional Maintenance Information | 35 |
| Troubleshooting | 36 |
| Specifications and Components | 38 |
| Warranty and Service | 39 |

Important Safety Instructions

Introduction

This chain saw is designed for occasional light duty use. It is not designed to fell large trees or cut large diameter logs. This chain saw is not designed for tree service. Do not cut trees or wooden timbers that have a diameter greater than the effective cutting length of the chain saw, 15 inches (38 cm).

Safety Signal Definitions

| SYMBOL | SIGNAL | MEANING |
|---|------------------|---|
|  | WARNING | Indicates a potential hazard which could result in serious injury. |
|  | CAUTION | Indicates a potential hazard which could seriously damage the tool or cause minor to moderate injury. |
| | IMPORTANT | Following this instruction will increase satisfaction with the tool. |

General Power Tool Safety Warnings

⚠ WARNING: Read all safety warnings and all instructions. Failure to follow the warnings and instructions may result in electric shock, fire and/or serious injury.



Save all warnings and instructions for future reference. The term “power tool” in the warnings refers to your mains-operated (corded) power tool or battery operated (cordless) power tool.

Work Area Safety

- **Keep work area clean and well lit.** Cluttered or dark areas invite accidents.
- **Do not operate the power tool in explosive atmospheres, such as in the presence of flammable liquids, gases or dust.** Power tools create sparks which may ignite the dust or fumes.
- **Keep children and bystanders away while operating the power tool.** Distractions can cause you to lose control.

Electrical Safety

- **Power tool plugs must match the outlet. Never modify the plug in any way. Do not use any adapter plugs with earthed (grounded) power tools.** Unmodified plugs and matching outlets will reduce risk of electric shock.

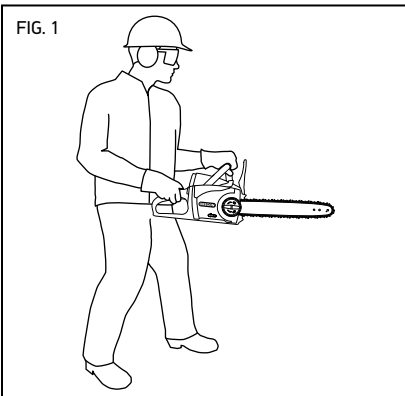
- **Avoid body contact with earthed or grounded surfaces, such as pipes, radiators, ranges and refrigerators.** There is an increased risk of electric shock if your body is earthed or grounded.
- **Do not expose power tools to rain or wet conditions.** Water entering a power tool will increase the risk of electric shock.
- **Do not abuse the cord. Never use the cord for carrying, pulling or unplugging the power tool. Keep cord away from heat, oil, sharp edges or moving parts.** Damaged or entangled cords increase the risk of electric shock.
- **When operating a power tool outdoors, use an extension cord suitable for outdoor use.** Use of a cord suitable for outdoor use reduces the risk of electric shock.

- **If operating a power tool in a damp location is unavoidable, use a ground fault circuit interrupter (GFCI) protected supply.** Use of a GFCI reduces the risk of electric shock.

Personal Safety

- **Stay alert, watch what you are doing and use common sense when operating a power tool. Do not use a power tool while you are tired or under the influence of drugs, alcohol or medication.** A moment of inattention while operating power tools may result in serious personal injury.
- **Use personal protective equipment. Always wear eye protection.** Protective equipment such as dust mask, non-skid safety shoes, long pants, hard hat or hearing protection used for appropriate conditions will reduce personal injuries.
- **Prevent unintentional starting. Ensure the switch is in the off-position before connecting to power source and/or battery pack, picking up or carrying the tool.** Carrying power tools with your finger on the switch or energizing power tools that have the switch on invites accidents.
- **Remove any adjusting key or wrench before turning the power tool on.** A wrench or a key left attached to a rotating part of the power tool may result in personal injury.
- **Do not overreach. Keep proper footing and balance at all times (Fig. 1).** This enables better control of the power tool in unexpected situations.

FIG. 1



- **Dress properly. Do not wear loose clothing or jewelry. Keep your hair, clothing and gloves away from moving parts.** Loose clothes, jewelry or long hair can be caught in moving parts.
- **If devices are provided for the connection of dust extraction and collection facilities, ensure these are connected and properly used.** Use of dust collection can reduce dust-related hazards.

Power Tool Use And Care

- **Do not force the power tool. Use the correct power tool for your application.** The correct power tool will do the job better and safer at the rate for which it was designed.
- **Do not use the power tool if the switch does not turn it on and off.** Any power tool that cannot be controlled with the switch is dangerous and must be repaired.
- **Disconnect the plug from the power source and/or the battery pack from the power tool before making any adjustments, changing accessories or storing power tools.** Such preventive safety measures reduce the risk of starting the power tool accidentally.
- **Store idle power tools out of the reach of children and do not allow persons unfamiliar with the power tool or these instructions to operate the power tool.** Power tools are dangerous in the hands of untrained users.
- **Maintain power tools. Check for misalignment or binding of moving parts, breakage of parts and any other condition that may affect the power tool's operation. If damaged, have the power tool repaired before use.** Many accidents are caused by poorly maintained power tools.

• **Keep cutting tools sharp and clean.**

Properly maintained cutting tools with sharp cutting edges are less likely to bind and are easier to control.

- **Use the power tool, accessories and tool bits, etc. in accordance with these instructions taking into account the working conditions and the work to be performed.** Use of the power tool for operations different from those intended could result in a hazardous situation.

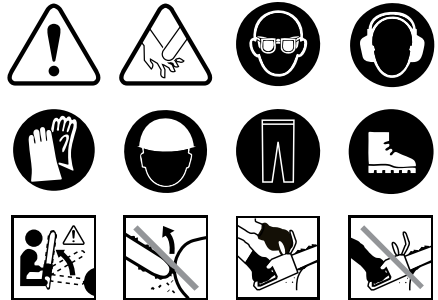
Battery Tool Use and Care

- **Recharge only with the charger specified by the manufacturer.** A charger that is suitable for one type of battery pack may create a risk of fire when used with another battery pack.
- **Use the chain saw only with specifically designated battery packs.** Use of any other battery packs may create risk of injury and fire.
- **When battery pack is not in use, keep it away from other metal objects, like paper clips, coins, keys, nails, screws or other small metal objects, that can make a connection from one terminal to another.** Shorting the battery terminal may cause burns or a fire.
- **Under abusive conditions, liquid may be ejected from the battery; avoid contact. If contact accidentally occurs, flush with water. If liquid contacts eyes, additionally seek medical help.** Liquid ejected from the battery may cause irritation or burns.
- **Do not disassemble the chain saw, charger, or battery pack or attempt to repair these products. Doing so could result in electrical shock.**

Service

Have your power tool serviced by a qualified repair person using only identical replacement parts. This will ensure that the safety of the power tool is maintained.

Chain Saw Safety Warnings



- **Keep all parts of the body away from the saw chain when the chain saw is operating. Before you start the chain saw, make sure the saw chain is not contacting anything.** A moment of inattention while operating chain saws may cause entanglement of your clothing or body with the saw chain.
- **Always hold the chain saw with your right hand on the rear handle and your left hand on the front handle.** Holding the chain saw with a reversed hand configuration increases the risk of personal injury and should never be done. NOTE: For chain saws designed with the guide bar on the left side, the reference to “right hand” and “left hand” positioning is reversed.
- **Wear safety glasses and hearing protection. Further protective equipment for head, hands, legs and feet is recommended.** Adequate protective clothing will reduce personal injury by flying debris or accidental contact with the saw chain.
- **Do not operate a chain saw in a tree.** Operation of a chain saw while up in a tree may result in personal injury.
- **Always keep proper footing and operate the chain saw only when standing on fixed, secure and level surface.** Slippery or unstable surfaces such as ladders may cause a loss of balance or control of the chain saw.
- **Follow the manufacture’s sharpening and maintenance instructions for the saw chain.** Decreasing the depth gauge height can lead to increased kickback.

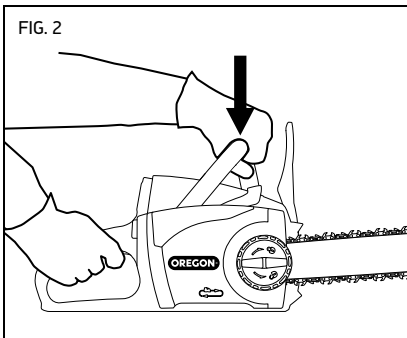
⚠ DANGER: Contact with a moving saw chain will result in serious personal injury. Keep hands and body away from moving saw chain.

⚠ DANGER: Contact with electrical wiring during use may cause exposed metal parts of the tool to become live, resulting in serious personal injury. Always hold the chain saw by the insulated gripping surfaces during operation.

⚠ WARNING: The use of an improperly assembled chain saw may result in serious personal injury. Only use this tool after it has been properly assembled according to “Unpacking and Assembly” in this manual.

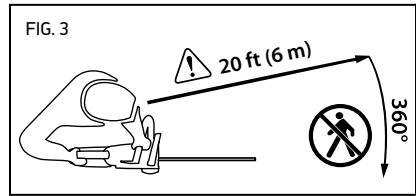
⚠ WARNING: Moments of inattention during operation of the chain saw may result in serious personal injury. Before starting the chain saw, minimize all distractions, keep body parts away from saw chain, and make sure the chain is not in contact with any objects.

⚠ WARNING: Using one hand to operate the chain saw can result in personal injury. Use both hands when operating the chain saw (see Fig. 2).



⚠ CAUTION: Contact from flying debris, or accidental contact with the saw chain, may result in personal injury. Always wear protective equipment for head, ears, hands, legs and feet.

⚠ CAUTION: Establish a bystander safety zone of 20 ft (6 m) prior to operation of this equipment. Bystander safety zone is a 20 ft (6 m) circle around the operator that must remain free from bystanders, children, and pets (Fig. 3).



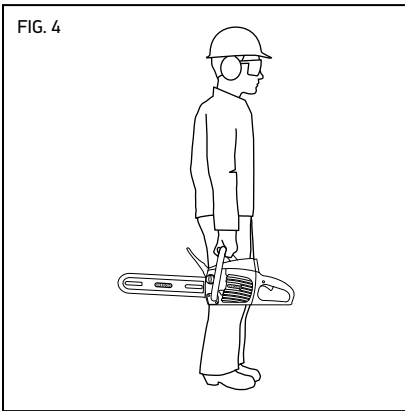
⚠ CAUTION: Limbs under tension can “spring back” and contact the operator or throw the chain saw out of control, resulting in personal injury. Always be alert for wood under tension which may strike the operator or chain saw when cut.

⚠ CAUTION: Improper chain tension or lubrication may increase the chance of injury due to kickback. Always follow the instructions in “Tensioning the Saw Chain” in this manual.

⚠ CAUTION: Wet or greasy gripping surfaces may cause a loss of control of the tool, resulting in personal injury. Always keep handles dry, clean, and free of oil and grease.

⚠ CAUTION: Using the chain saw for applications other than its designed purpose may result in a hazardous condition. The chain saw is designed solely for cutting small wood branches.

⚠ CAUTION: To prevent accidental contact with the saw chain during transport, always fit the blade cover and keep hands and fingers away from trigger area (Fig. 4).



⚠ CAUTION: Prolonged use of power tools has been reported to cause vascular, muscular, or neurological disorders (such as vibration white finger or Raynaud's Syndrome). To reduce the risk of injury, follow these instructions:

- Wear gloves and keep hands and body warm.
- Maintain a firm grip on the chain saw, but do not use prolonged, excessive pressure. Let the chain saw do the work.
- Ensure that the cutting system is maintained properly.
- Take frequent breaks.

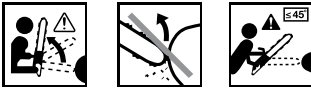
The vibration in normal use can differ from the stated values depending on the material being cut, maintenance of the cutting system, and other factors.

Total hand vibration has been measured in accordance with the relative standard test method and may be used to compare one tool to another.

Total hand vibration values may also be used for a preliminary assessment of exposure.

- **When cutting a limb that is under tension be alert for spring back.** When the tension in the wood fibers is released the spring loaded limb may strike the operator and/or throw the chain saw out of control.
- **Use extreme caution when cutting brush and saplings.** The slender material may catch the saw chain and be whipped toward you or pull you off balance.
- **Carry the chain saw by the front handle with the chain saw switched off and away from your body. When transporting or storing the chain saw always fit the guide bar cover.** Proper handling of the chain saw will reduce the likelihood of accidental contact with the moving saw chain.
- **Follow instructions for lubricating, chain tensioning and changing accessories. Improperly tensioned or lubricated chain may either break or increase the chance for kickback.**
- **Keep handles dry, clean, and free from oil and grease.** Greasy, oily handles are slippery causing loss of control.
- **Cut wood only. Do not use chain saw for purposes not intended.** For example: do not use chain saw for cutting plastic, masonry or non-wood building materials. Use of the chain saw for operations different than intended could result in a hazardous situation.
- **Use two hands when operating the chain saw.**
- **The work piece, bar, and chain can be hot after cutting. Wear gloves to avoid burns.**
- **Use proper auxiliary equipment and ensure that it is not damaged, of adequate strength, and securely placed.** Use auxiliary equipment only for the purpose for which it is intended.

Causes and Operator Prevention of Kickback



Kickback may occur when the nose or tip of the guide bar touches an object, or when the wood closes in and pinches the saw chain in the cut.

Tip contact in some cases may cause a sudden reverse reaction, kicking the guide bar up and back towards the operator.

Pinching the saw chain along the top of the guide bar may push the guide bar rapidly back towards the operator.

Either of these reactions may cause you to lose control of the saw which could result in serious personal injury. Do not rely exclusively upon the safety devices built into your saw. As a chain saw user, you should take several steps to keep your cutting jobs free from accident or injury.

Kickback is the result of tool misuse and/or incorrect operating procedures or conditions and can be avoided by taking proper precautions as given below:

- Maintain a firm grip, with thumbs and fingers encircling the chain saw handles, with both hands on the saw and position your body and arm to allow you to resist kickback forces. Kickback forces can be controlled by the operator, if proper precautions are taken. Do not let go of the chain saw.
- Do not overreach and do not cut above shoulder height. This helps prevent unintended tip contact and enables better control of the chain saw in unexpected situations.
- Only use replacement bars and chains specified by the manufacturer. Incorrect replacement bars and chains may cause chain breakage and/or kickback.
- Follow the manufacturer's sharpening and maintenance instructions for the saw chain. Decreasing the depth gauge height can lead to increased kickback.

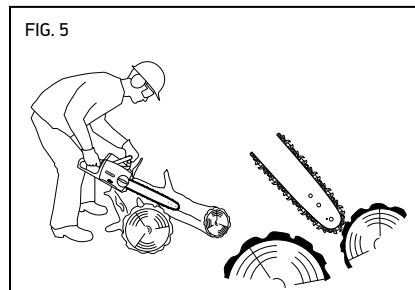
Kickback Safety Devices on This Saw

⚠ DANGER: Never modify or attempt to disable the chain brake.

⚠ DANGER: Only use replacement bars and chains specified by Oregon®. Incorrect replacement bars and chains may cause chain breakage and increased risk of kickback injury.

CHAIN BRAKE

This chain saw comes equipped with a chain brake, which stops both the motor and the motion of the chain when kickback occurs (Fig. 5). The chain brake can be activated by the forward motion of the front hand guard as the saw rotates backward during kickback; it can also be activated by the inertial forces generated from a kickback event.



CHAIN

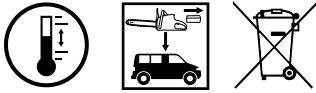
This saw comes equipped with a saw chain that met the reduced kickback requirements of ANSI B175.1 when tested on a representative sample of chain saws. For replacement chain, see "Specifications and Components" in this manual.

BAR

This saw comes equipped with a reduced kickback guide bar that has a small radius nose. Smaller radius noses have less potential for kickback than a bar of the same size with a larger nose radius.

When replacing the bar, only order the bar listed in this manual to maintain low kickback performance.

Storage, Transporting, and Disposal



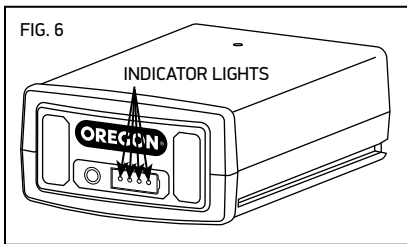
STORING THE CHAIN SAW

- Remove the battery pack from the chain saw.
- Clean chain saw thoroughly.
- Install the blade cover.
- Store in a dry place.
- Keep out of reach of children or pets.
- It is normal for a small amount of oil to seep from the guide bar when the chain saw is not in use. To protect against seepage, install the blade cover and place an absorbent pad under the bar.

STORING THE BATTERY PACK

When storing the battery pack longer than nine months, follow these guidelines:

- Remove the battery pack from the chain saw or charger.
- Store in a cool, dry place.
- Keep out of reach of children or pets.
- To prolong battery life, never store battery pack in a completely discharged condition (with no indicator lights lit) (Fig. 6).



- For maximum battery life, make sure the battery pack is charged once per year or when the LED indicator shows only one light.
- Store at a temperature between -4°F to 86°F (-20°C and 30°C).

STORING THE CHARGER

- Remove battery pack from the charger.
- Disconnect charger from power source.
- Store in a dry place.
- Keep out of reach of children or pets.

See "Maintenance and Cleaning" for more information.

TRANSPORTING THE CHAIN SAW

- Remove battery pack from the chain saw.
- Install the blade cover.
- If desired, drain the bar and chain oil to reduce seepage.
- Carry saw with bar and chain facing behind the operator.
- Tools can shift during transport. Ensure the tool is secure and cannot fall or move into contact with people or property.

TRANSPORTING THE BATTERY PACK

Observe respective local and national regulations when shipping lithium ion batteries, compulsory labeling may be required.

CHAIN SAW AND CHARGER DISPOSAL

The Oregon® product is designed and manufactured with high quality materials and components which can be recycled and reused. Please dispose of this equipment in an environmentally correct manner at a local community waste collection/recycling center.

BATTERY PACK DISPOSAL

Do not dispose of battery pack in household garbage or incinerate. Local waste management and recycling agencies have information on proper recycling or disposal instructions. Battery packs can be collected in the United States or Canada through Rechargeable Battery Recycling Corporation. Oregon® has already paid the costs involved to recycle battery packs. Return end of life battery packs to participating retailer or recycling center. Return locations and more information can be found at www.call2recycle.org or 1-800-8BATTERY.



Battery Safety

⚠ WARNING: Improper battery care can cause the battery to leak hazardous chemicals, overheat, emit smoke, burst, flare, explode, and/or ignite. Follow these safety rules.

⚠ CAUTION: Do not dispose of the battery pack in the household waste or fire. Lithium ion battery packs should be recycled by a local authorized recycler.

IMPORTANT: Exposure to excessive heat can cause a loss in performance and/or service life. Do not expose battery pack to excessive heat, such as the interior of a vehicle in hot weather.

- Do not attempt to recharge a non-rechargeable battery pack.
- Do not disassemble or modify the battery pack. This can damage safety features.
- Do not connect the positive (+) and negative (-) terminals with metal objects or store the battery pack with metal objects such as coins or screws. This can cause short-circuiting and generate enough heat to cause burns.
- Do not incinerate the battery pack or expose to excessive heat. This can melt insulation or damage safety features.
- Do not use, charge, or store near heat higher than 176°F (80°C). This can cause overheating and internal short-circuiting.
- Do not expose to extremely wet conditions. This can damage safety features, cause extremely high current and voltage charging, and lead to abnormal chemical reactions.
- Use only the charger specifically designed for the battery pack, and follow the safety precautions described in “Charger Safety”. Using another charger can damage safety features, cause extremely high current and voltage charging, and lead to abnormal chemical reactions.
- Do not use Oregon® branded battery packs in non-Oregon® branded tools.
- Do not strike, pierce, or throw the battery pack, and do not use a damaged or deformed battery pack.
- If recharging fails, do not attempt to recharge.
- If the battery pack gives off an odor, generates heat, or is discolored, deformed, or abnormal in any way during use, recharging, or storage, immediately remove from the chain saw or charger.
- Any liquid leaking from the battery is corrosive, can damage eyes and skin, and may be toxic if swallowed.

Charger Safety

IMPORTANT SAFETY INSTRUCTIONS

⚠ WARNING: Risk of electric shock. When used outdoors, install only to a covered “Class A” GFCI protected receptacle that is weatherproof with the power unit connected to the receptacle. If one is not provided, contact a qualified electrician for proper installation. Ensure that the power unit and cord do not interfere with completely closing the receptacle cover.

IMPORTANT: This appliance is not intended for use by persons (including children) with reduced physical, sensory or mental capabilities, or lack of knowledge, unless they have been given supervision or instruction by a person responsible for their safety. Children should be supervised to ensure that they do not play with the appliances.

















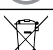




IMPORTANT: Use this charger only with the supplied power cord, making sure that the input plug correctly mates to the output receptacle.

When using electrical products, basic precautions should always be practiced including the following:

- **Read and follow all safety instructions before use.** Read and follow all instructions that are on the product or provided with the product.
- **Save these instructions.**
- **Do not use an extension cord.**
- **Damaged or entangled cords increase the risk of electric shock.** Do not abuse the cord. Never use the cord for carrying, pulling or unplugging the power tool. Keep cord away from heat, oil, sharp edges or moving parts.
- **Do not expose the charger to rain.** For indoor use only.
- **Do not use within 10 feet (3 m) of a pool.**
- **Do not use in a bathroom.**

Symbols and Labels

These symbols and labels appear on the chain saw, battery, and charger.

| SYMBOL | NAME | EXPLANATION |
|---|--|--|
|  | Safety Alert Symbol | Indicates that the text that follows explains a danger, warning, or caution. |
|  | Read Instructions | The original instruction manual contains important safety and operating information. Read and follow the instructions carefully. |
|  | Wear Eye Protection | Wear eye protection when operating the chain saw. |
|  | Wear Hearing Protection | Wear hearing protection when operating the chain saw. |
|  | Wear Hand Protection | Wear gloves when operating the chain saw and when handling the saw chain. |
|  | Wear Head Protection | Wear head protection when operating the chain saw. |
|  | Wear Long Pants | Wear long pants when operating the chain saw. |
|  | Wear Foot Protection | Wear appropriate closed-toe work boots when operating the chain saw. |
|  | Sound Power | Sound power level is 100 dB (K = 2.5 dB). |
|  | Beware Of Kickback | Kickback can cause severe injuries. |
|  | Bar Nose Contact | Avoid bar nose contact. |
|  | Chain Saw Kickback Angle | Designed for use with low kickback saw chain. |
|  | Two-Handed Hold | Hold saw with both hands. |
|  | One-Handed Hold | Do not hold the saw with one hand. |
|  | Do Not Use A Ladder | Never stand on a ladder when using the chain saw. |
|  | Do Not Incinerate | Do not dispose in flames. |
|  | Do Not Dispose | Do not throw in household waste. Take to an authorized recycler. |
|  | Indoor Use Only | Charger intended for indoor use only. |
|  | Operating Temperature | Only use the battery pack at a temperature between 32°F to 104°F (0°C and 40°C). |
|  | Cutting Tool | Cutting tool. Do not touch the chain without first deactivating the chain saw by removing the battery. |
|  | Remove Battery | Remove the battery before performing any maintenance. |
|  | Remove Battery Prior to Transport | Remove the battery pack from the chain saw prior to storage, transportation or disposal. |

Chain Saw Names And Terms

Alignment flange: The protrusion on the bar pad that fits into the bar slot.

Automatic oiler: The system that automatically lubricates the guide bar and saw chain.

Bar pad: The mounting pad on the powerhead that helps ensure proper alignment of the guide bar.

Bar slot: The cutout portion of the guide bar that fits on to the alignment flange and mounting stud.

Bystander safety zone: A 20 ft (6 m) circle around the operator that must remain free from bystanders, children and pets.

Chain brake: A device for stopping or locking the saw chain, activated manually or non-manually when kickback occurs.

Chain catcher: A device for retaining the saw chain if it breaks or derails.

Chain gauge: The thickness of the saw chain drive link, where it fits into the bar groove, indicated by the part number stamped on the drive links.

Chain pitch: The distance between any three consecutive rivets on the saw chain divided by two, indicated by the part number stamped on the drive links.

Chain saw powerhead: A chain saw without the saw chain or guide bar.

Chain tensioning gear: A gear mounted on the guide bar that adjusts saw chain tension when rotated.

Chain tensioning ring: The ring around the side cover release knob that when turned, adjusts the saw chain tension.

Drive link: The fin-shaped link of the saw chain that fits into the groove on the guide bar.

Drive sprocket: The toothed part that drives the saw chain.

Effective cutting length: The approximate distance from the root of the spiked bumper to the outside edge of the cutting link with the tensioner set to the middle position.

Felling back cut: The final cut in a tree felling operation made on the opposite side of the tree from the notching undercut.

Front handle: The support handle located at or toward the front of the chain saw intended to be gripped by the left hand.

Front hand guard: A structural barrier between the front handle of a chain saw and the guide bar, which also serves as an activating mechanism for the chain brake.

Guide bar: A railed structure that supports and guides the saw chain. Sometimes simply called the “bar”.

Guide bar cover: The plastic cover that protects the guide bar and saw chain when the chain saw is not in use.

Kickback: The rapid backward and/or upward motion of the guide bar, occurring when the saw chain near the top area of the nose of the guide bar contacts any object (such as a log or branch), or when the wood closes in and pinches the saw chain in the cut.

Low-kickback chain: A chain that complies with the low kickback performance requirements of ANSI B175.1 and CSA Z62.3.

Mounting stud: The threaded protrusion on the alignment flange that extends through the bar slot.

Notching undercut: A notch cut in a tree to direct the tree’s fall.

Rear handle: The support handle located at or toward the rear of the saw intended to be gripped by the right hand.

Rear hand guard: A structural barrier at the bottom right side of the rear handle to protect the operator in case of rupture or derailing of the saw chain.

Reduced kickback guide bar: A guide bar with a maximum nose radius as specified in ANSI B175.1 and CSA Z62.3 and which has been demonstrated to reduce kickback significantly.

Saw chain: A loop of chain having cutting teeth, that cuts the wood, that is driven by the powerhead and is supported by the guide bar. Sometimes simply called the “chain”.

Side cover: The plastic cover on the powerhead that covers the drive sprocket and chain tensioning gear which is removed and installed with the side cover release knob.

Spiked bumper: A device fitted to the front of the saw acting as a pivot point when in contact with a tree or log to make cutting easier. Also known as “bucking spikes”.

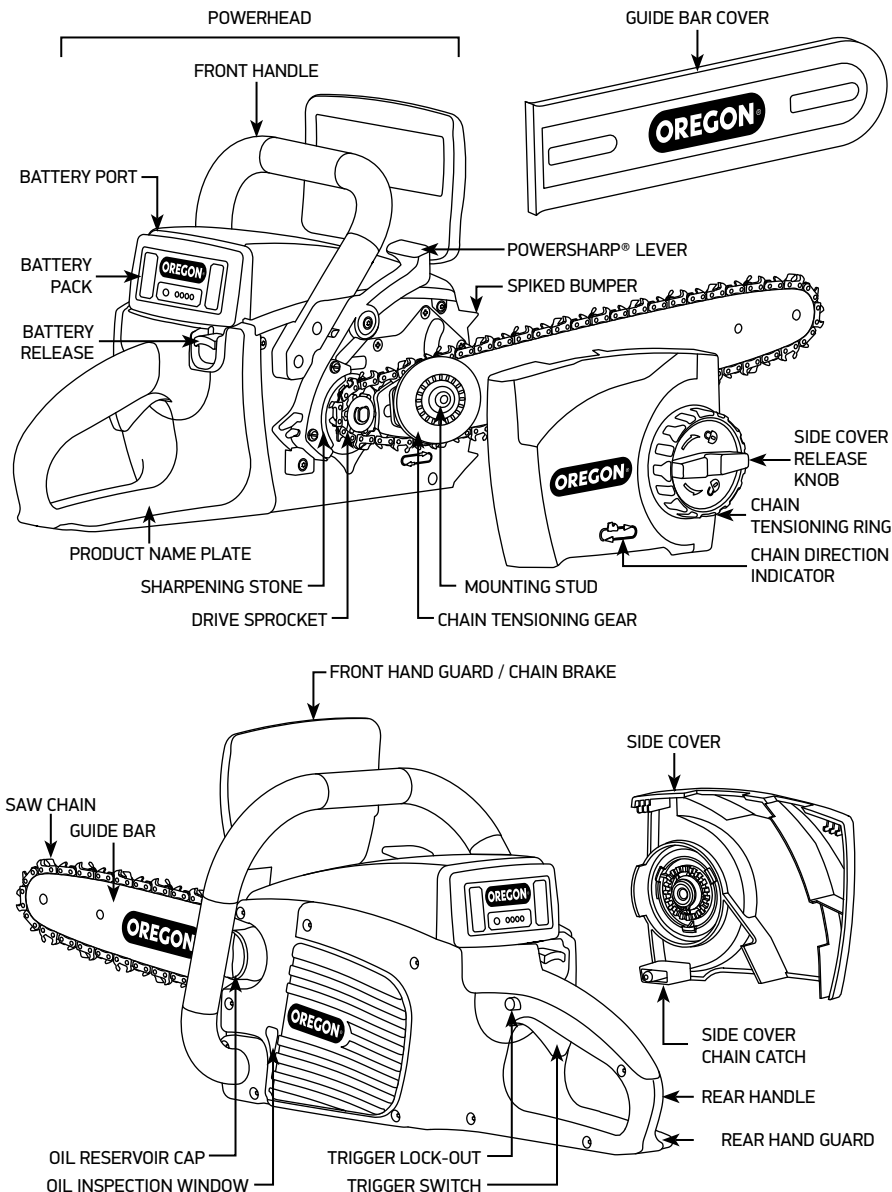
Trigger lock-out: A movable stop that prevents the unintentional operation of the trigger switch until manually actuated.

Trigger switch: A device that turns the chain saw on and off.

Wear parts: Parts such as the saw chain and guide bar that can wear during use and can be replaced by the user.

Product Identification

Know the Chain Saw



NOTE: See “Unpacking and Assembly” for a list of included items.

Unpacking and Assembly

Unpacking

What's in the box?

The chain saw requires some assembly before use. These items ship with the chain saw:

- Powerhead
- Guide bar
- Saw chain
- Blade cover
- Chain tensioning gear
- Chain tensioning o-ring
- Chain tensioning screw
- Bar and chain oil
- Charger and power cord (if so equipped)
- Battery (if so equipped)

After removing the chain saw from the box, inspect it carefully to ensure no damage has occurred during shipping, and that no parts are missing. If any parts are damaged or missing, do not use the chain saw. Contact Oregon® Cordless Tool System at 888.313.8665 to obtain replacement parts.

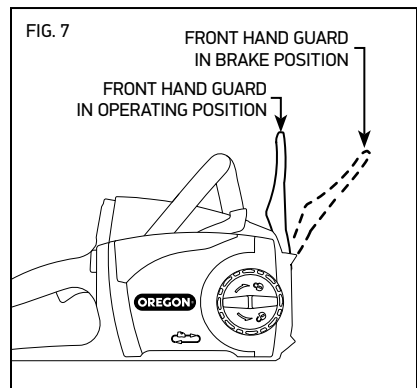
Assembly

⚠ DANGER: To avoid serious personal injury, do not operate the chain saw without the guide bar, saw chain and side cover properly assembled.

⚠ WARNING: Do not attempt to operate the chain saw if any part is damaged or missing.

Checking the Front Hand Guard Position

After unpacking the chain saw, check the position of the front hand guard. The chain saw will not run with the chain brake engaged. Pull the front hand guard back towards the front handle before operation (Fig. 7).

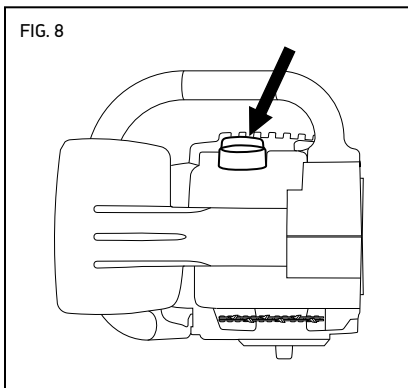


Filling the Bar and Chain Oil Reservoir

IMPORTANT: Bar and chain oil prevents premature wear. Never operate the chain saw if oil is not visible. Check oil level frequently and fill as needed.

Bar and chain oil is required to properly lubricate the guide bar and saw chain. The chain saw is equipped with an automatic oiler that deposits oil on the bar and chain when running, keeping them properly lubricated. Use Oregon® bar and chain oil for best results. It is specially designed to provide low friction and faster cuts. **NEVER** use oil or other lubricants not specifically designed for use on the bar and chain. This can lead to a clogged oil system, which may cause premature wear of the bar and chain.

Place the chain saw on its side on a firm, flat surface, so that the oil cap is on top (Fig. 8).



- Clean any debris from the cap area.
- Remove the cap.
- Carefully pour the bar and chain oil into the reservoir.
- Replace the cap and make sure oil is visible in the reservoir.

If oil is not visible in the reservoir, additional bar and chain oil is necessary.

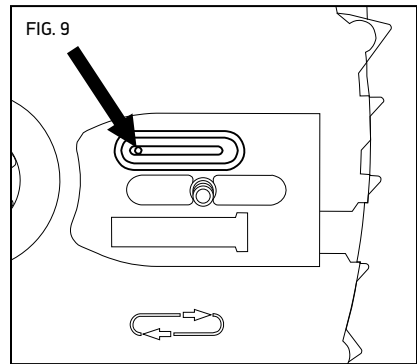
PRIMING THE OILER

▲ WARNING: To reduce the risk of injury, never run the chain saw without the side cover.

▲ CAUTION: Keep hands, clothing, and hair away from the drive sprocket when priming the oiler.

If this is the first time filling the bar and chain oil reservoir, or if the chain saw has been stored for a long period of time without use, prime the oiler.

- Insert the battery.
- Run the chain saw for about two minutes.
- Remove the battery.
- Remove the side cover by turning the side cover release knob counterclockwise.
- Check for oil on the bar pad (Fig 9).



- If no oil is present on the bar pad, replace the side cover and run for another 30 seconds.
- When oil begins to seep from the hole, the chain saw is ready for guide bar and saw chain assembly.

If oil is not visible in the reservoir, additional bar and chain oil is necessary.

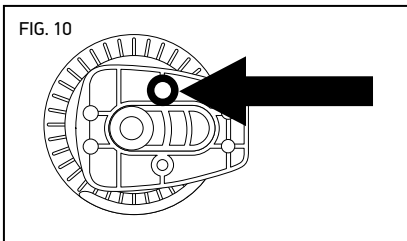
Assembling the Guide Bar and Saw Chain



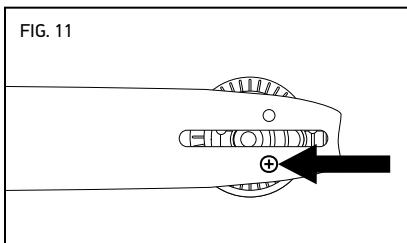
⚠ WARNING: A battery operated tool with the battery pack inserted is always on and can start accidentally. Remove the battery pack from the chain saw before attaching the bar and chain.

Wear gloves.

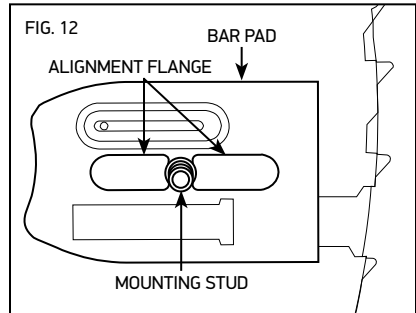
- Remove the battery.
- Loosen the side cover release knob by turning it counterclockwise, then remove the side cover.
- There is a rubber o-ring that is important to the function of the saw. The rubber o-ring must be in place around the pin on the tensioner before the tensioner is screwed onto the bar (Fig. 10).



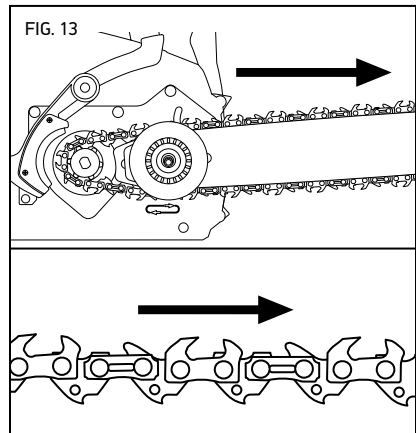
- Insert the screw from the back side of the chain tensioning gear and attach the chain tensioning gear onto the guide bar (Fig. 11).



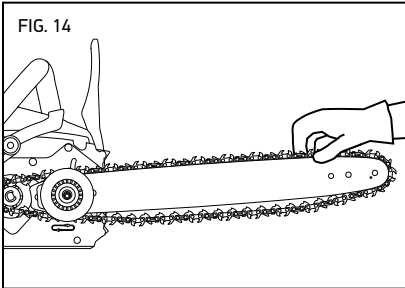
- Place the chain tensioning gear on the side of the guide bar facing you such that the rectangular piece does not protrude past the edges of the guide bar and insert the screw.
- Place the guide bar on the bar pad by sliding the bar slot over the alignment flange (Fig. 12), with the mounting stud inserted through the hole in the chain tensioning gear.



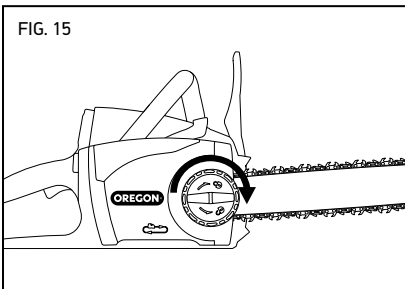
- Loop the new saw chain onto the drive sprocket so that the cutting edges of the teeth along the top of the bar face away from the powerhead (Fig. 13).



- Feed the chain into the groove of the bar. Rotate the chain tensioning gear to slide the bar away from the motor to remove slack from the chain (Fig. 14).



- Install the side cover, making sure the chain catcher is properly seated in its hole, then lightly tighten the side cover release knob (Fig. 15).



Tensioning the Saw Chain



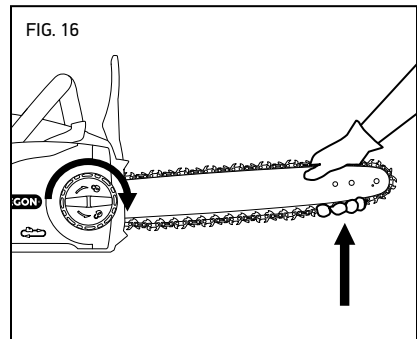
⚠ WARNING: A battery operated tool with the battery pack inserted is always on and can start accidentally. Remove the battery pack from the chain saw before attaching the extendable shaft, bar, and chain.

⚠ WARNING: If the chain is still loose when the saw is at maximum tension, replace the chain.

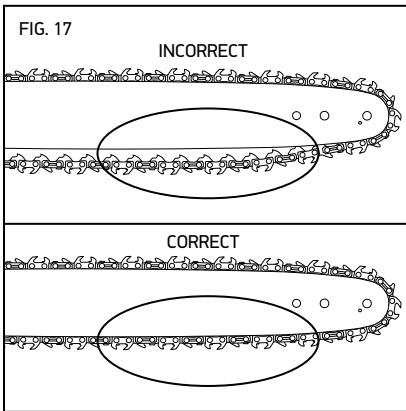
IMPORTANT: Only tension the saw chain when the chain is cool. A hot chain may contract and damage the guide bar or chain as it cools.

Wear gloves.

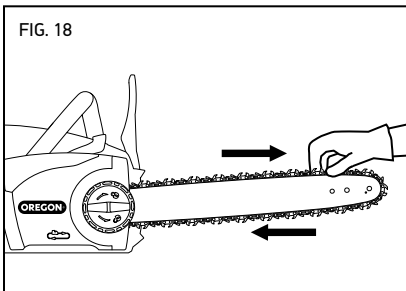
- Remove the battery.
- Loosen the side cover release knob slightly, but do not remove the side cover.
- Hold up the nose of the guide bar (Fig. 16) and turn the chain tensioning ring clockwise.



- Tighten the chain tensioning ring until the lowest cutters underneath the bar contact the bar rail (Fig. 17).



- Saw chain tension is correct when, with some effort, a gloved hand can pull the chain smoothly around the bar. The chain should touch the underside of the bar rail (Fig. 18).



- Tighten the side cover release knob.

After a short period of use, allow the chain to cool, remove the battery and check the tension again. Watch tension carefully for the first half-hour of use and periodically throughout the life of the chain readjusting as required when the chain and bar are cool to the touch. Never tension chain when it is hot.

Chain will stretch as a result of normal use, however, insufficient oil, aggressive use or failure to perform recommended maintenance can lead to premature stretching.

Operating the Saw

Battery Pack and Charger

⚠ WARNING: Do not charge the battery pack in the rain.

BATTERY PACK LED CHARGE-LEVEL INDICATOR

The lithium ion battery pack is equipped with an LED charge-level indicator. To test the charge level of the battery pack, press the indicator button on the battery pack's face (Fig. 19).

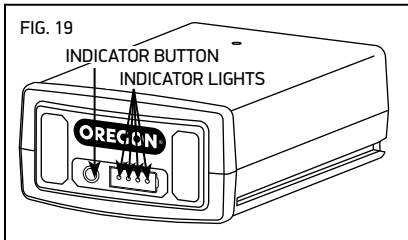
No lights: recharge.

One steady green light:
less than 25% charged.
Charge battery pack before use.

Two steady green lights:
26–50% charged.

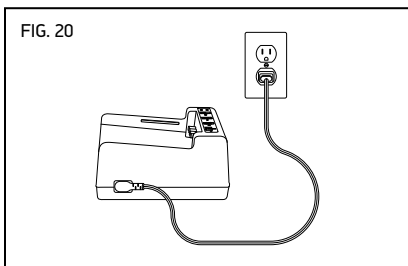
Three steady green lights:
51–75% charged.

Four steady green lights:
76–100% charged.



CONNECTING THE CHARGER

If the charger includes a separate power cord, connect the charger cord to the charger and to the proper electrical outlet (Fig. 20).



Only use the cord set that was supplied with the charger. At first use, verify that the plug type matches the receptacle.

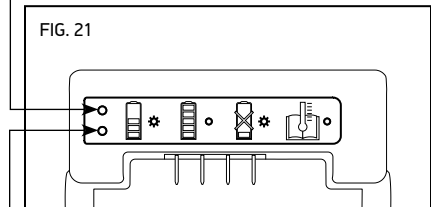
CHARGER LED CHARGE-STATE INDICATOR

The battery charger is equipped with an LED charge-state indicator that indicates the state of charging as well as conditions that may delay or prevent charging (Fig. 21).

Note: Until a battery pack is inserted, no lights will be visible.

Blinking orange light: a fault condition exists. There are several potential causes. See "Troubleshooting" in this manual.

Steady orange light: the battery pack temperature is beyond the acceptable range (32°F/0°C to 104°F/40°C). Allow the battery pack to reach the acceptable temperature range before charging. The pack may be left on the charger as the temperature adjusts. Charging will begin when the proper temperature is reached.



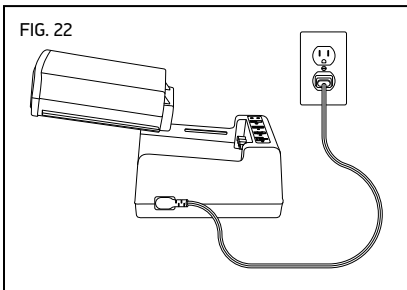
Blinking green light: battery pack is charging.

Steady green light: battery pack is ready for use.

CHARGING THE BATTERY PACK

⚠ WARNING: Failure to follow proper charging procedures may cause excessive voltage, excessive current flow, loss of control during charging, leakage of hazardous chemicals, heat generation, bursting, or fire. Follow these charging instructions.

With the charger cord connected to the charger and plugged into an electrical outlet, align the grooves in the battery with the rails on the charger and slide the battery pack onto the charger until fully seated (Fig. 22).

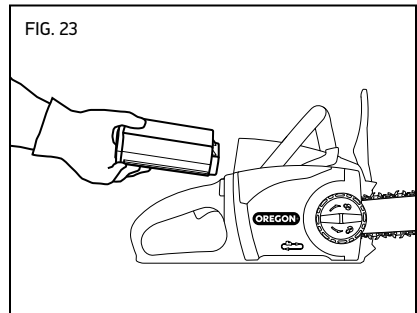


Check the charge-state indicator for charging conditions.

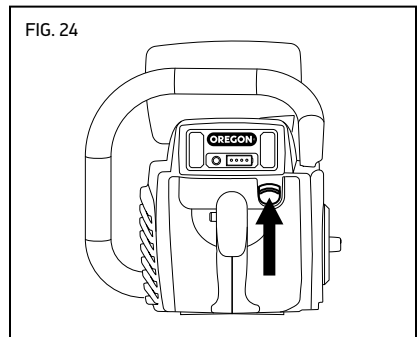
INSERTING AND RELEASING THE BATTERY PACK

Only use the Oregon® brand battery packs specified in these operating instructions.

Align the groove in the battery with the rails inside the battery port. Firmly insert the battery pack into the chain saw's battery port, pressing forward until it clicks as it locks into place (Fig. 23).



To remove the battery pack, lift up on the battery release and remove the pack (Fig. 24).



General Operation



⚠ DANGER: To avoid serious personal injury, do not overreach and do not stand on a ladder, stepstool or any raised position that is not fully secured. Never cut above shoulder height.

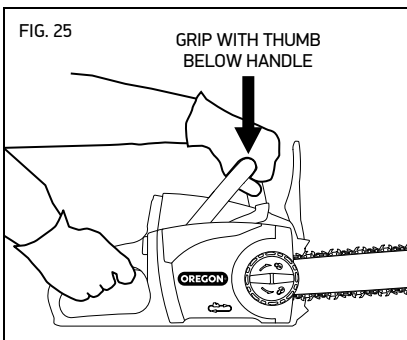
⚠ WARNING: To reduce the risk of injury, always wear proper boots, long pants, gloves, head, ear and eye protection.

OPERATING TEMPERATURE

This chain saw is designed to operate within a temperature range of 32°F to 104°F (0°C to 40°C).

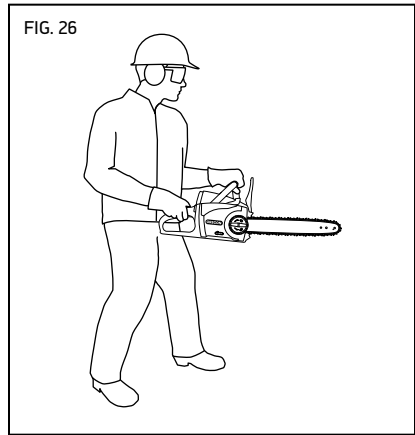
GRIP

Always grip the tool with both hands. Grasp the front handle with the left hand and the rear handle with the right. Wrap the fingers over the top of the handle with the thumb below the handle (Fig. 25).



FOOTING

Stand with both feet on solid ground with weight evenly spread between them (Fig. 26).



STOPPING THE CHAIN SAW

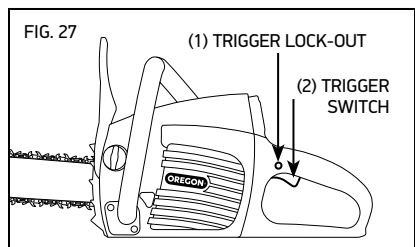
Release the trigger switch to stop the chain saw.

STARTING THE CHAIN SAW

⚠ WARNING: To reduce the risk of injury, never defeat the interlock by taping, wiring or tying down the trigger lock-out.

Make sure the chain brake is not engaged.

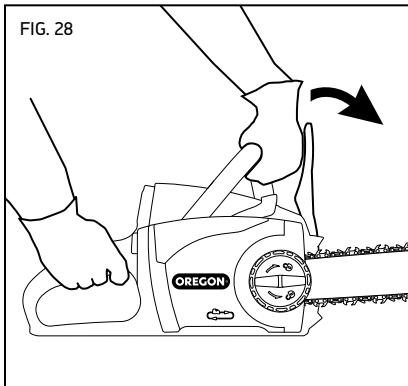
Grasp the front and rear handles firmly. Press and hold the trigger lock-out with the thumb (1). To start the saw, squeeze the trigger switch (2) (Fig. 27). There is no need to continue to press the trigger lock-out. It will remain disengaged until the trigger is released.



TESTING THE CHAIN BRAKE

Make sure the chain brake is working before using the chain saw. To check brake operation:

- Place the saw on a firm, flat surface.
- Start the saw briefly.
- Keep the left hand on the front handle and roll the left wrist to move the front hand guard forward to manually activate the chain brake (Fig. 28).



- Release the trigger switch.

A properly functioning chain brake stops the motor and saw chain immediately. If the motor and saw chain do not stop immediately, have the chain brake checked at an approved service location.

- Return the front hand guard to operating position.

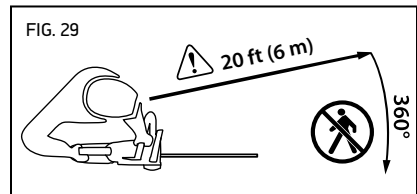
Cutting

⚠ WARNING: To reduce the risk of injury, wear proper boots, long pants, gloves, head, ear and eye protection.

⚠ WARNING: To reduce the risk of injury, always be sure of footing and hold the chain saw firmly with both hands while the motor is running.

⚠ WARNING: To reduce the risk of injury, plan ahead and plan multiple escape paths before beginning work.

⚠ CAUTION: Establish a bystander safety zone of 20 ft (6 m) prior to operation of this equipment. Bystander safety zone is a minimum 20 ft (6 m) circle around the operator that must remain free from bystanders, children and pets (Fig. 29). Felling operations require a larger safety zone according to the size of the tree, see "Felling a Tree" section.



IMPORTANT: Practice cutting logs on a sawhorse or cradle until you become comfortable operating the saw.

To get the best performance and operate the saw safely, follow these instructions:

- Observe all applicable national and municipal rules and regulations for cutting.
- Take frequent breaks to reduce the risk of injury.
- Before beginning to cut, make sure the saw chain is properly tensioned and the chain is sharp.

Saw chains are made to cut wood only. Do not use the chain saw to cut any other materials, and do not allow the chain to come into contact with dirt, stones, nails, staples or wire. These materials are extremely abrasive and will wear away protective plating from the chain in a very short time.

Sharpen or replace the saw chain if any of these conditions occur:

- The pressure required to make cuts increases noticeably.
- Wood chips coming off of the chain are very fine or dust-like.

Do not work with a dull chain as it will increase the effort required to cut, cause jagged cuts, increase wear on the chain saw and increase the risk of kickback. Never force a dull chain to cut.

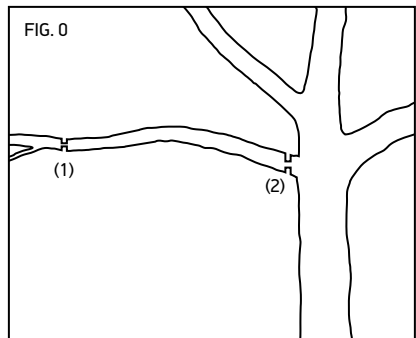
- Assume the proper cutting grip and stance in front of the wood with the saw turned off. Press the trigger lock-out and squeeze the trigger switch. Let the chain reach full speed before beginning the cut.
- Begin cutting by lightly pressing the guide bar against the wood. Use only light pressure and let the saw do the work.
- Maintain a steady speed throughout the cut releasing pressure just before the end of the cut.
- Know the location of the tip of the bar at all times and avoid contact with other objects.
- If the saw stops suddenly when cutting, remove the saw from the cut, then resume cutting using lighter pressure on the workpiece.

PRUNING

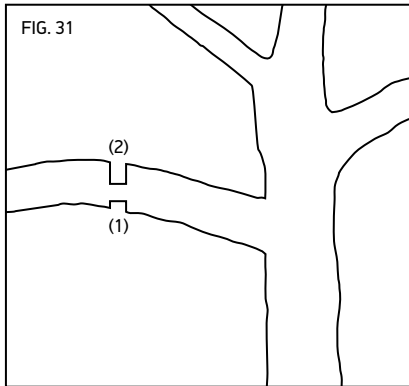
⚠ CAUTION: Falling limbs may bounce or “spring back” after they hit the ground so it is essential to keep the ground clear to provide multiple retreat paths. Clear the work area and wear head protection.

Pruning is removing dead or overgrown branches to maintain plant health.

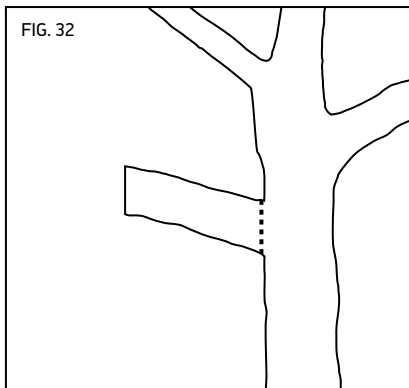
- Plan retreat paths before beginning to cut, and make sure there are no obstructions. Always know how to get out of the way of falling branches.
- Make sure bystanders or helpers are a safe distance from falling branches. Bystanders or helpers should not stand directly in front of or behind the operator. See Fig. 28.
- Maintain solid footing and hold the chain saw firmly with both hands. Do not overreach. Never climb a tree or ladder to reach high limbs.
- Secure any branches that might be hazardous.
- Use proper auxiliary equipment.
- Prune lower limbs before pruning higher ones.
- Allow the saw chain to achieve full speed before cutting.
- Apply light pressure to the branch.
- For long limbs (Fig. 30), cut the end of the limb first (1) to relieve pressure from the limb, then prune closer to the trunk (2).



- Thick limbs (greater than 4 inch (10 cm) in diameter) can splinter or pinch the chain when making a single cut from the top. To avoid pinching or splintering, first make one shallow relief cut on the bottom surface of the limb (1), then cut the limb all of the way through from the top of the limb (2) to match the bottom cut (Fig. 31).

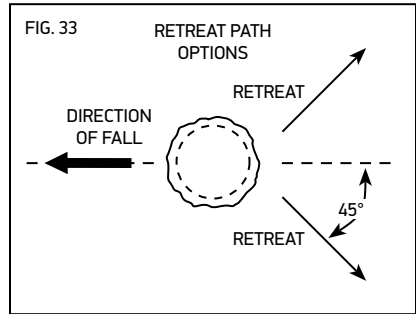


- After most of the limb has been removed, make one smooth cut near the trunk (Fig. 32).



FELLING A TREE

⚠ CAUTION: A tree is likely to roll or slide downhill after it is felled. Plan and clear a retreat path before cuts are started. The retreat path should extend back and diagonally to the rear of the expected line of fall (Fig. 33).

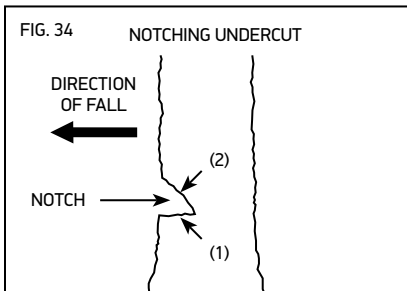


Felling is cutting down a tree.

- Before felling is started, consider the natural lean of the tree, the location of larger branches and the wind direction to judge which way the tree will fall.
- Remove dirt, stones, loose bark, nails, staples and wire from the tree where felling cuts are to be made.
- When bucking and felling operations are being performed by two or more persons at the same time, separate the felling operation from the bucking operation by a distance of at least twice the height of the tree being felled.
- Trees should not be felled in a manner that would endanger any person, strike any utility line or cause any property damage. If the tree contacts any utility line, immediately leave the area and notify the utility company.
- Use the metal spikes on the front of the saw to support the saw on the wood. Set metal spiked bumper into the wood and use as a leverage point to increase stability when cutting large diameter wood.

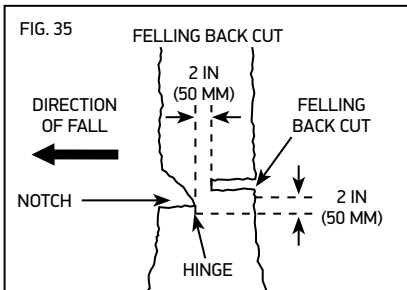
Notching undercut

- First, make the notch 1/3 the diameter of the tree perpendicular to the direction of fall. Make the lower horizontal notching undercut first (1). This will help to avoid pinching of either the saw chain or the guide bar when the second cut (2) is being made (Fig. 34).



Felling back cut

- Second, make the felling back cut at least 2 in (50 mm) higher than the horizontal notching undercut (Fig. 35). Keep the felling back cut parallel to the horizontal notching undercut.



- Make the felling back cut so enough wood is left to act as a hinge. The hinge wood keeps the tree from twisting and falling in the wrong direction. Do not cut through the hinge.
- As the felling cut gets close to the hinge, the tree should begin to fall.

- If there is any chance that the tree may not fall in the desired direction or it may rock back and bind the saw chain, stop cutting before the felling back cut is complete and use wedges of wood, plastic or aluminum to open the cut and drop the tree along the desired line of fall.

- When the tree begins to fall, remove the chain saw from the cut, stop the motor, put the chain saw down, then use the retreat path planned.

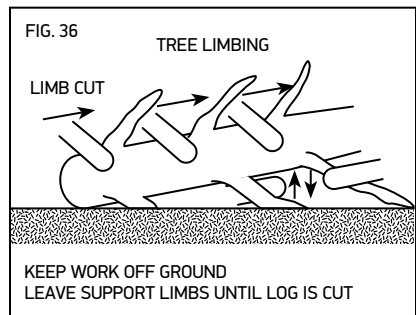
- Be alert for overhead limbs falling and watch footing.

LIMBING A TREE

⚠ CAUTION: Limbs under tension can “spring back” and contact the operator or throw the chain saw out of control resulting in personal injury. Always be alert for wood under tension which may strike the operator or chain saw when cut.

Limbing is removing the branches from a fallen tree.

- When limbing, leave larger lower limbs to support the log off the ground.
- Remove the small limbs in one cut.
- Branches under tension should be cut from the bottom up to avoid binding the chain saw (Fig. 36).

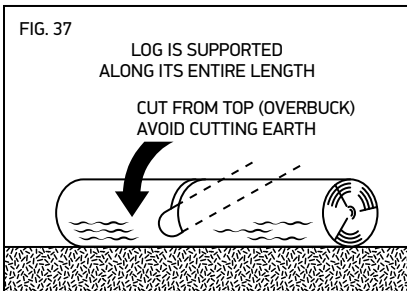


BUCKING A LOG

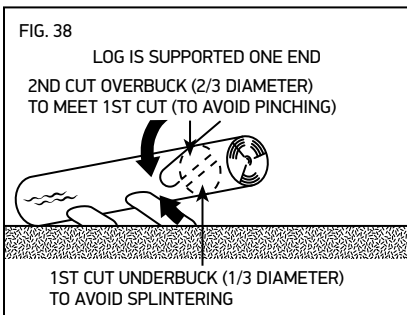
⚠ CAUTION: Bucking logs under tension increases the chance of kickback. Use one of the methods below to support the log when bucking.

Bucking is cutting a log into lengths. It is important to make sure footing is firm and weight is evenly distributed on both feet. When possible, the log should be raised and supported by the use of limbs, logs or chocks.

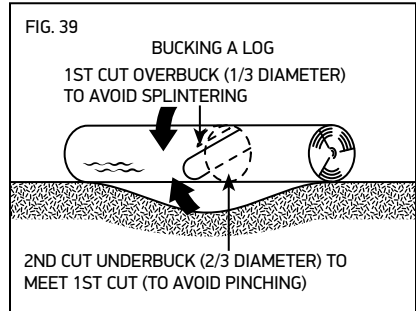
- When the log is supported along its entire length, cut from the top (overbuck) (Fig. 37).



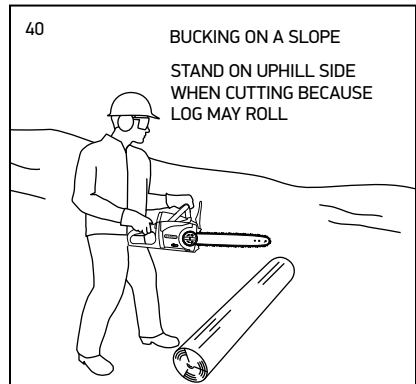
- When the log is supported on one end, cut 1/3 the diameter from the underside (underbuck), then make the finished cut by overbucking to meet the first cut (Fig. 38).



- When the log is supported on both ends, cut 1/3 of that diameter from the top overbuck, then make the finished cut by underbucking the lower 2/3 to meet the first cut (Fig. 39).



- When bucking on a slope, always stand on the uphill side of the log (Fig. 40).



- To maintain complete control when cutting through, release the cutting pressure near the end of the cut without relaxing the grip on the chain saw handles.
- Don't let the chain contact the ground.
- After completing the cut, wait for the saw chain to stop before you move the chain saw.
- Always stop the motor before moving from tree to tree.

Sharpening with PowerSharp®

⚠ WARNING: PowerSharp should not be used in the presence of exposed, extremely flammable materials such as gasoline and acetylene.

⚠ CAUTION: Sharpening with the PowerSharp system produces low energy sparks.

⚠ CAUTION: The PowerSharp integrated sharpening system is for use only with PowerSharp chain. Never attempt to sharpen other chain with the integrated sharpener. Damage to the chain and sharpener will occur.

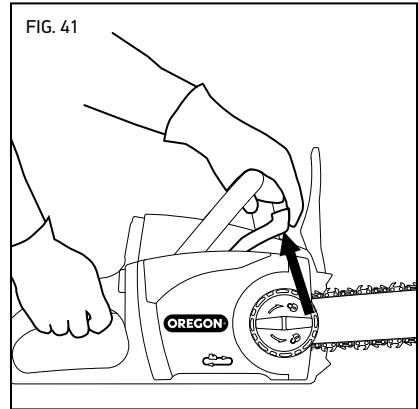
INTRODUCTION TO POWERSHARP

This chain saw is equipped with the PowerSharp integrated sharpening system, a fast and easy way to sharpen chain on the saw. It is time to sharpen the saw chain when cuts take longer or the wood chips become smaller, turning the wood chips into saw dust.

SHARPENING THE CHAIN

IMPORTANT: PowerSharp chain uses unique top-sharpening cutters and can only be sharpened with a genuine PowerSharp sharpener.

- With the saw at full speed, lightly lift the PowerSharp lever for 3–5 seconds (Fig. 41). Sparks will be visible when the cutters are in contact with the sharpening stone.



- Make a test cut to determine if the chain has been sufficiently sharpened. If not, repeat the sharpening procedure until the chain is sufficiently sharp.

IMPORTANT: Do not apply too much force when sharpening. Excessive force can reduce the performance of the sharpening stone.

IMPORTANT: It is normal to see a small amount of sparks and smoke during sharpening as the cutters contact the stone and friction heats the chain.

WHEN TO REPLACE THE SHARPENING STONE

The sharpening stone is designed to wear at the same rate as the chain. Always replace the stone when replacing the chain even if it appears to have more life. See “Replacing a Worn Saw Chain and Sharpening Stone” in this manual.

Maintenance and Cleaning



⚠ WARNING: Failure to identify and replace damaged or worn parts can cause serious personal injury. Inspect the chain saw regularly. Regular inspection is the first step to proper maintenance. Follow the guidelines below to maximize safety and satisfaction. Have any damaged or excessively worn parts replaced immediately.

⚠ WARNING: A battery operated tool with the battery pack inserted is always on and can start accidentally. Remove the battery pack from the chain saw before inspecting, cleaning, or performing maintenance.

⚠ CAUTION: When cleaning the chain saw, do not immerse in water or other liquids.

Inspection

Before each use and if the chain saw has been dropped, inspect these parts:

- **Handles:** Front and rear handles should not have cracks or other damage. They should be clean and dry.
- **Front Hand Guard:** The front hand guard should be free of damage and able to move easily back and forth. When moved, the front hand guard should activate the chain brake.
- **Guide Bar:** The bar should be straight and free of chips, cracks or excessive wear.
- **Saw Chain:** The chain should be properly tensioned and sharp and all components free of cracks, chips, broken teeth or excessive wear. See “Tensioning the Saw Chain” and “Sharpening with PowerSharp®”.

- **Side Cover:** The side cover should be free of cracks or other damage. It should fit tightly to the saw body with no warping. Make sure the chain catcher is free of cracks.
- **Battery Pack:** The battery pack should be clean, dry, with no signs of puncture, impact, or other damage. The contacts should be clean, dry and free of debris.
- **Battery Port:** The battery port and contacts should be clean, dry, and free of debris.
- **Chain Brake:** Test the chain brake to make sure it is functioning properly. See “Testing the Chain Brake” under “General Operation”.
- **Oil Level:** Make sure the oil reservoir is full before use. See “Filling the Bar and Chain Oil Reservoir”.
- **Automatic Oiler:** When the chain saw is running without the guide bar and saw chain attached, a small amount of oil should seep from the hole in the bar pad. See “Priming the Oiler”.
- **Motor Cover:** Check for cracks in the cover and debris in the air intake vents.

Periodically inspect these parts:

- **Drive Sprocket:** Look for deep grooves, broken teeth or burrs.
- **Chain Tensioning Gear:** Inspect the gear for cracks, chips, loose screw, warping or other damage.
- **Bar-Mounting Area Underneath Side Cover:** Make sure the mounting stud is not bent, stripped or cross-threaded and that the bar pad and alignment flange are free of debris and intact.
- **Charger:** The charger should be clean, dry, and free of punctures or other damage. The battery tray and contacts should be free of debris.

Tensioning the Saw Chain

IMPORTANT: Only tension the saw chain when the chain is cool. A hot chain may contract and damage the guide bar or chain as it cools.

If the chain does not touch the underside of the bar when the chain saw is off and cool, it should be tensioned.

Tension the chain as described in “Tensioning the Saw Chain” in the “Unpacking and Assembly” section of this manual.

Replacing a Worn Saw Chain and Sharpening Stone

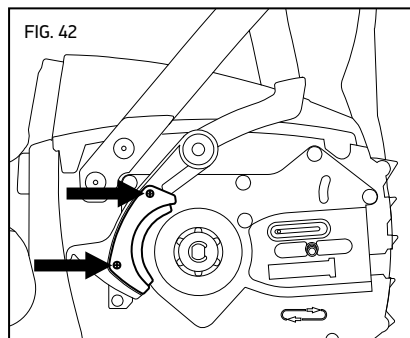
⚠ CAUTION: Replace PowerSharp® saw chain and the sharpening stone at the same time. Failure to do so could result in decreased performance or damage to the chain and/or sharpening stone.

⚠ CAUTION: The PowerSharp integrated sharpening system is for use only with PowerSharp chain. Remove the sharpening stone when using saw chain other than PowerSharp. Failure to do so may result in damage to the saw chain, sharpening system and/or chain saw.

When the saw chain becomes cracked or has broken teeth, is stretched to the point that it cannot be kept at proper tension or simply cannot be sharpened, it must be replaced.

Wear gloves.

- Remove the battery.
- Loosen the side cover release knob slightly, but do not remove the side cover.
- Loosen the chain tensioning ring (turn it counterclockwise) as far as it will go.
- Loosen the side cover release knob and remove the side cover.
- Remove the saw chain.
- Remove the two screws holding the sharpening stone (Fig. 42).



- Remove the stone.
- Make sure the PowerSharp lever and surrounding area are free of debris.
- Place the new stone on the lever and replace the screws.
- Replace the guide bar and saw chain. See “Assembling the Guide Bar and Saw Chain” section in this manual.
- Tension the chain as described in “Tensioning the Saw Chain” in the “Unpacking and Assembly” section of this manual.

IMPORTANT: the saw chain must be properly tensioned before using. See “Tensioning the Saw Chain” in the “Unpacking and Assembly” section of this manual.

Maintaining the Guide Bar

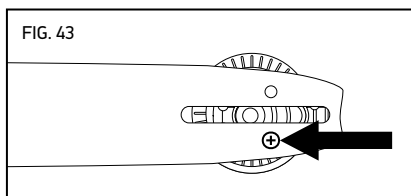
⚠ WARNING: The edges of a worn guide bar, particularly the edges of the groove where the chain touches the bar, can be extremely sharp. Use appropriate hand protection.

⚠ CAUTION: The guide bar can be hot after cutting. Wear gloves to avoid burns.

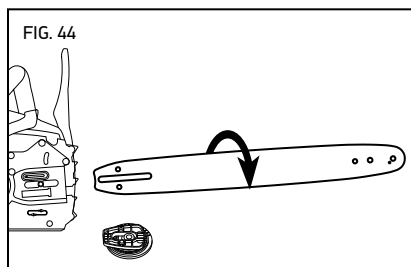
To even bar wear and maximize bar life, flip the bar occasionally.

Wear gloves.

- Remove the battery.
- Loosen the side cover release knob slightly, but do not remove the side cover.
- Loosen the chain tensioning ring (turn it counterclockwise) as far as it will go.
- Loosen the side cover release knob and remove the side cover.
- Remove the bar and chain and inspect for damage and wear.
- Remove the screw from the back side of the chain tensioning gear and remove the chain tensioning gear from the guide bar (Fig. 43).



- Flip the bar (Fig. 44).



- Replace the guide bar and saw chain. See “Assembling the Guide Bar and Saw Chain” section in this manual.
- Tension the chain as described in “Tensioning the Saw Chain” in the “Unpacking and Assembly” section of this manual.

Replacing a Worn Guide Bar

⚠ WARNING: The edges of a worn guide bar, particularly the edges of the groove where the chain touches the bar, can be extremely sharp. Use appropriate hand protection.

When the guide bar becomes cracked or has excessive wear around the edges, particularly in the groove where the saw chain touches the bar, it must be replaced. Also, if the nose sprocket is worn, has teeth missing or does not turn smoothly, the bar must be replaced.

Wear gloves.

- Remove the battery.
- Loosen the side cover release knob slightly, but do not remove the side cover.
- Loosen the chain tensioning ring (turn it counterclockwise) as far as it will go.
- Loosen the side cover release knob and remove the side cover.
- Remove the bar and chain.
- Remove the screw from the back side of the chain tensioning gear and remove the chain tensioning gear from the guide bar as described in “Maintaining the Guide Bar”.
- Place the chain tensioning gear on the new guide bar and replace the screw.
- Replace the guide bar and saw chain. See “Assembling the Guide Bar and Saw Chain” section in this manual.
- Tension the chain as described in “Tensioning the Saw Chain” in the “Unpacking and Assembly” section of this manual.

Replacing a Worn Chain Tensioning Gear

Replace the chain tensioning gear if it will not hold the bar and chain at proper tension or if it is otherwise damaged.

Wear gloves.

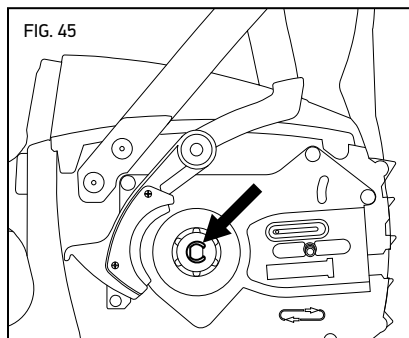
- Remove the battery.
- Loosen the side cover release knob slightly, but do not remove the side cover.
- Loosen the chain tensioning ring (turn it counterclockwise) as far as it will go.
- Loosen the side cover release knob and remove the side cover.
- Remove the bar and chain.
- Remove the screw from the back side of the chain tensioning gear and remove the chain tensioning gear from the guide bar.
- Place the new chain tensioning gear on the side of the guide bar facing you and replace the screw.
- Replace the guide bar and saw chain. See “Assembling the Guide Bar and Saw Chain” section in this manual.
- Tension the chain as described in “Tensioning the Saw Chain” in the “Unpacking and Assembly” section of this manual.

Replacing the Drive Sprocket

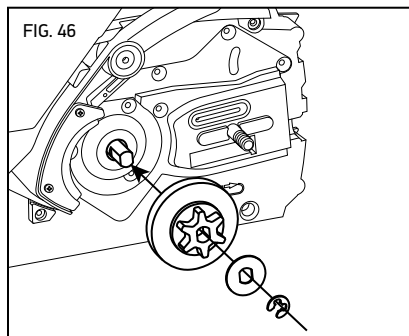
Replace the drive sprocket after every two saw chain replacements or when the sprocket is damaged.

Wear gloves and eye protection.

- Remove the battery.
- Loosen the side cover release knob slightly, but do not remove the side cover.
- Loosen the chain tensioning ring (turn it counterclockwise) as far as it will go.
- Loosen the side cover release knob and remove the side cover.
- Remove the bar and chain.
- Use a small flat screwdriver to pry open and remove the e-clip, then remove the washer and drive sprocket (Fig. 45).



- Insert the new drive sprocket and washer, and install the new e-clip (Fig. 46).



- Replace the guide bar and saw chain. See “Assembling the Guide Bar and Saw Chain” section in this manual.
- Tension the chain as described in “Tensioning the Saw Chain” in the “Unpacking and Assembly” section of this manual.

Cleaning

⚠ WARNING: To reduce the risk of injury, remove battery pack before cleaning.

⚠ CAUTION: When cleaning the chain saw powerhead, do not immerse in water or other liquids.

Wear gloves and eye protection.

- Remove the battery.
- Remove wood chips and other debris from the battery port. Make sure the contacts are clean and dry.
- After use, clean debris from the saw chain and guide bar. Wipe power head with a clean cloth moistened with a mild soap solution. Never use harsh cleaners or solvents.
- Always clean out wood chips, saw dust and dirt from the bar groove when replacing the chain.
- Ensure that the chain tensioning gear is free of wood chips and other debris.

Battery Pack

IMPORTANT: There are no user serviceable parts inside the battery pack. Do not disassemble.

Lithium ion batteries have a finite operating life. If the amount of cutting time per charge decreases noticeably, the battery pack is at the end of its useful life and should be replaced.

- Make sure the battery pack, including the contacts, is clean, dry, and has no signs of puncture, impact, or other damage. Broken batteries can cause fires or emit hazardous chemicals.
- Clean dirty contacts with a soft, dry cloth. Dirt or oil can cause a poor electrical connection, resulting in loss of power.

Charger

- Unplug the charger from the electrical outlet.
- Clean dirty contacts with a soft, dry cloth.

Additional Maintenance Information

For further information on maintaining the saw chain, guide bar, and drive sprocket, consult the Oregon® Maintenance and Safety Manual at <http://oregonproducts.com/maintenance/manual.htm>.

Troubleshooting

Use this table to see possible solutions for problems with the chain saw. If these suggestions do not solve the problem, see “Warranty and Service”.

| SYMPTOM | POSSIBLE CAUSE | RECOMMENDED ACTIONS |
|---|---|---|
| Motor does not run or runs intermittently | Chain brake engaged | Before starting, make sure the hand guard is in its most rearward position (chain brake disengaged). For correct hand guard position, see “Starting the Saw” in this manual. |
| | Battery discharged | Recharge. See “Charging the Battery Pack” in this manual. |
| | Trigger lock-out not pressed | Trigger lock-out must be depressed. See “Starting the Saw” in this manual. |
| | Battery pack not fully inserted | Clean debris from the battery port and terminals with a clean dry cloth or non-conductive brush. |
| | Debris in side cover | Remove battery pack, then remove side cover and clean out debris. |
| | Battery pack cold | Allow battery to warm above the minimum operating temperature of 32°F (0°C). |
| Motor runs, but chain does not rotate | Chain not engaging drive sprocket | Reinstall the chain, making sure the drive links on the chain are fully seated on the sprocket. See “Maintenance and Cleaning” in this manual for installation instructions. |
| | Guide bar nose sprocket is not turning | Replace the guide bar. See “Replacing a Worn Guide Bar” in this manual. |
| Chain brake does not engage | Debris preventing full movement of hand guard | Clean debris from external chain brake mechanism. |
| | Possible chain brake malfunction | Contact an approved service location immediately. ⚠ WARNING: Operating a chain saw without a functioning chain brake could lead to serious personal injury. |
| Chain saw does not cut properly | Insufficient chain tension | See “Tensioning the Saw Chain” in this manual. |
| | Dull chain | See “Sharpening with PowerSharp®” in this manual. |
| | Chain installed backwards | See “Assembling the Guide Bar and Saw Chain” in this manual. |
| | Worn chain | Replace both the chain and stone. They are designed to wear at the same rate. |
| | Dry or excessively stretched chain | Check the oil level. Refill oil reservoir if necessary. See “Filling the Bar and Chain Oil Reservoir” in this manual. Check for a clogged oil system. A small amount of oil should be delivered to the bar. |
| | Chain not in bar groove | See “Assembling the Guide Bar and Saw Chain” in this manual. |

| SYMPTOM | POSSIBLE CAUSE | RECOMMENDED ACTIONS |
|---|--|--|
| Steady alarm beeping when trigger pulled | Heavy use has overheated the motor | Let the saw cool down and then resume cutting. |
| | Chain brake is engaged | Before starting, make sure the hand guard is in its most rearward position (chain brake disengaged). For correct hand guard position, see “Starting the Saw” in this manual. |
| Battery pack does not charge | Battery pack over/under temperature protection is activated | This may occur when the saw is run continuously or exposed to high ambient temperatures. Allow the battery pack to reach the acceptable temperature before charging. See “Battery Pack and Charger” in this manual. |
| | Dirty or damaged contacts on battery pack or charger | Inspect the contacts on the both the battery pack and charger. If necessary, clean according to the instructions in this manual. Reinsert battery pack into the charger, making sure it is fully seated. |
| | Battery pack is at the end of its life | All batteries have a limited life. If the battery pack is more than two years old or has been recharged frequently, it may be time to replace it. Replace only with the battery pack specified for this chain saw. |
| | Charger faulty | Have the function checked at an approved service location. |
| Low cut time per battery charge | Dull chain | See “Sharpening with PowerSharp®” in this manual. |
| | Worn chain | Replace the chain. See “Replacing a Worn Saw Chain and Sharpening Stone” in this manual. |
| | Dry chain | Check the oil level. Refill oil reservoir if necessary. See “Filling the Bar and Chain Oil Reservoir” in this manual. |
| | Over tensioned chain | See “Tensioning the Saw Chain” in this manual. |
| | Improper cutting technique | Follow guidelines in “Cutting” in this manual. |
| | Debris in side cover | Remove battery pack, then remove side cover and clean out debris. |
| Blinking orange light on charge state indicator | Charger short circuit, charger over current, over voltage limit, open circuit on battery pack, or charge/pre-charge time out error | <ol style="list-style-type: none"> 1. Make sure the charger cord is connected to both the charger and the electrical outlet. 2. Make sure the charger is receiving the correct voltage. 3. Try charging another battery pack designed for this charger. <p>If this does not correct the problem, have the function checked at an approved service location.</p> |

Specifications and Components

⚠ WARNING: Using replacement parts other than those specified in this guide increases the risk of injury. Never use cutting attachments other than those described in this manual.

| REPLACEMENT COMPONENTS | | PART NUMBER |
|--|---|---|
| Guide bar | 14 inch (35 cm) | 140SDEA041 |
| | 16 inch (40 cm) | 160SDEA041 |
| Saw chain and stone, PowerSharp® | 14 inch (35 cm) 52 drive link | 560507 |
| | 16 inch (40 cm) 56 drive link | 560510 |
| Battery pack, model B425E | | 585527 |
| Battery pack, model B600E | | 548208 |
| Battery pack, model B650E | | 583684 |
| Charger with cord, model C650 | | 594076 |
| Rapid charger with cord, model C750 | | 548185 |
| CHARGER | MODEL C650 | MODEL C750 |
| Input | 100-240 V~ 50-60 Hz 60 W | 100-240 V~ 50-60 Hz 260 W |
| Input (U.S. and Canada only) | 120 V~ 60 Hz 60 W | 120 V~ 60 Hz 260 W |
| Output | 41.5 V \equiv 1.8 A | 41 V \equiv 4.0 A |
| Power cord | US/CAN P/N: 594076 EU P/N: 594078 UK P/N: 596303 AU/NZ P/N: 597130 | US/CAN P/N: 585068 EU P/N: 585069 UK P/N: 585070 AU/NZ P/N: 585073 |
| BATTERY PACK | | |
| Type | Lithium Ion | |
| Operating temperatures | 32°F to 104°F (0°C to 40°C) | |
| Model | Capacity, nominal | Voltage, nominal |
| B425E | 2.6 Ah / 94 Wh | +36 VDC |
| B600E | 4.0 Ah / 144 Wh | +37 VDC |
| B650E | 6.0 Ah / 216 Wh | +37 VDC |
| CHAINSAW | | |
| Oil capacity | 4.1 oz (120 ml) | |
| Bar and chain oil | Oregon® brand | |
| Dry weight with B400E | 12.9 lb (5.9 kg) | |
| Dry weight without battery, bar, and chain | 8.3 lb (3.8 kg) | |
| Sound power level | 100 dB (K = 2.5 dB) | |
| Vibration | .794 m/s ² (front handle) 1.891 m/s ² (rear handle) | |
| Max bar length | 16 inch (40 cm) | |
| Chain pitch | 3/8 inch low profile - 91 | |
| Chain gauge | .050 inch (1.3 mm) | |
| Sprocket teeth | 6 | |
| No load chain speed | 46.6 ft/s (14.2 m/s) | |

Warranty and Service

Warranty

Blount, Inc. warrants all registered Oregon® Cordless Tools and Chargers for a period of three (3) years and all registered Oregon® Cordless Battery Packs for two (2) years from original date of purchase. Registered Oregon® Cordless Tools, Battery Packs and Chargers are warranted for two (2) years if used for commercial purposes. This limited warranty applies to the Oregon® Cordless Tool System manufactured products. During the warranty period, Blount will replace or, at its option, repair for the original purchaser only, free of charge, any product or part which is found upon examination by Blount to be defective in material and/or workmanship. The purchaser shall be responsible for all transportation charges and any cost of removing any part submitted for replacement under this warranty.

To register your product, visit the “support” section of **OregonCordless.com**.

Service and Support Information

Visit us on the web at **OregonCordless.com** for service center information, or contact our customer service department at 888.313.8665 for assistance, additional technical advice, repair, replacement parts, or to register the product.

For safety, use only genuine factory replacement parts on the chain saw. Our service center is staffed with trained personnel to efficiently provide support and assistance with adjustment, repair, or replacement of all Oregon® Cordless Tool System products.

Table des matières



| | |
|---|----|
| Consignes de sécurité importantes | 41 |
| Définitions des signaux de sécurité | 41 |
| Avertissements de sécurité généraux pour les outils électriques | 41 |
| Sécurité de la zone de travail | 41 |
| Sécurité électrique | 41 |
| Sécurité personnelle | 42 |
| Utilisation et entretien des outils électriques | 42 |
| Utilisation et entretien des outils à batterie | 43 |
| Réparations | 43 |
| Avertissements de sécurité relatifs à la tronçonneuse | 43 |
| Causes de l'effet de rebond et prévention par l'opérateur | 46 |
| Dispositifs de sécurité concernant l'effet de rebond sur cette tronçonneuse | 46 |
| Entreposage, transport et élimination | 47 |
| Sécurité de la batterie | 48 |
| Sécurité du chargeur | 49 |
| Symboles et étiquettes | 50 |
| Noms et termes relatifs à la tronçonneuse | 51 |
| Identification du produit | 52 |
| Déballage et montage | 53 |
| Vérification de la position du protège-main avant | 53 |
| Remplissage du réservoir d'huile du guide et de la chaîne | 54 |
| Assemblage du guide-chaîne et de la chaîne de la tronçonneuse | 55 |
| Mise en tension de la chaîne de la tronçonneuse | 56 |
| Fonctionnement de la tronçonneuse | 58 |
| Bloc de batterie et chargeur | 58 |
| Fonctionnement général | 60 |
| Découpage | 61 |
| Affûtage avec PowerSharp ^{MD} | 66 |
| Entretien et nettoyage | 67 |
| Inspection | 67 |
| Mise en tension de la chaîne de la tronçonneuse | 68 |
| Remplacement d'une chaîne usée et de la pierre d'affûtage | 68 |
| Entretien du guide-chaîne | 69 |
| Remplacement d'un guide-chaîne usé | 69 |
| Remplacement d'un engrenage de tension de chaîne usé | 70 |
| Remplacement du pignon d'entraînement | 70 |
| Nettoyage | 71 |
| Bloc de batterie | 71 |
| Chargeur | 71 |
| Renseignements supplémentaires relatifs à l'entretien | 71 |
| Dépannage | 72 |
| Caractéristiques et composants | 74 |
| Garantie et service | 75 |

Consignes de sécurité importantes

Introduction

Cette tronçonneuse est conçue pour une utilisation légère et occasionnelle. Elle n'est pas conçue pour abattre de grands arbres ou couper des bûches d'un gros diamètre. Cette tronçonneuse n'est pas conçue pour l'entretien des arbres. Ne coupez pas d'arbres ni de bois dont le diamètre est égal ou supérieur à la longueur de coupe utile de la tronçonneuse, soit 38 cm (15 pouces).

Définitions des signaux de sécurité

| SYMBOLE | SIGNAL | SIGNIFICATION |
|---|----------------------|--|
|  | AVERTISSEMENT | Indique un danger potentiel qui pourrait entraîner une blessure grave. |
|  | MISE EN GARDE | Indique un danger potentiel qui pourrait endommager gravement l'outil ou entraîner une blessure légère ou modérée. |
| | IMPORTANT | Le respect de cette directive augmentera votre satisfaction en lien avec l'outil. |

Avertissements de sécurité généraux pour les outils électriques

⚠ AVERTISSEMENT : Veuillez lire tous les avertissements de sécurité et toutes les instructions. Le non-respect des avertissements de sécurité et des instructions peut entraîner une décharge électrique, un incendie et/ou des blessures graves.



Conservez l'ensemble des avertissements et instructions pour référence ultérieure.

Le terme « outil électrique » utilisé dans les avertissements fait référence à votre outil fonctionnant sur secteur (avec cordon) ou avec batterie (sans fil).

Sécurité de la zone de travail

- **Gardez la zone de travail propre et bien éclairée.** Les endroits encombrés ou sombres favorisent les accidents.
- **N'utilisez pas l'outil électrique dans des atmosphères explosives, comme en présence de liquides inflammables, de gaz ou de poussière.** Ces outils produisent des étincelles qui peuvent enflammer la poussière ou les vapeurs.
- **Gardez les enfants et les observateurs à l'écart lorsque vous utilisez l'outil électrique.** Les distractions peuvent vous faire perdre le contrôle.

Sécurité électrique

- **La fiche d'alimentation de l'outil doit correspondre à la prise de courant. Ne modifiez jamais la fiche de quelque façon que ce soit. N'utilisez pas de fiche d'adaptation avec des outils électriques mis à la terre.** Des fiches non modifiées et des prises de courant correspondantes réduiront le risque de choc électrique.
- **Évitez tout contact corporel avec des surfaces mises à la terre telles que les tuyaux, les**

radiateurs, les cuisinières et les réfrigérateurs.

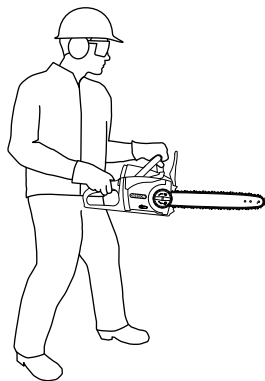
Il existe un risque accru de décharge électrique si votre corps est mis à la terre.

- **N'exposez pas les outils électriques à la pluie ou à des conditions humides.** L'eau pénétrant dans un outil électrique augmente le risque de choc électrique.
- **Ne malmenez pas le cordon. N'utilisez jamais le cordon pour transporter, tirer ou débrancher l'outil électrique. Gardez le cordon à l'écart de la chaleur, de l'huile, des bords tranchants et des pièces mobiles.** Des cordons endommagés ou enchevêtrés augmentent le risque de choc électrique.
- **Lorsque vous vous servez d'un outil électrique à l'extérieur, utilisez une rallonge adaptée pour l'extérieur.** Un cordon adapté à un usage extérieur réduit le risque de choc électrique.
- **S'il est inévitable d'utiliser un outil électrique dans un endroit humide, faites-le avec une alimentation protégée par un disjoncteur de fuite à la terre (DDFT).** L'utilisation d'un DDFT réduit le risque de choc électrique.

Sécurité personnelle

- **Restez vigilant, regardez ce que vous faites et faites preuve de bon sens lorsque vous utilisez un outil électrique. N'en utilisez pas lorsque vous êtes fatigué ou sous l'influence de drogues, d'alcool ou de médicaments.** Un moment d'inattention lors de l'utilisation d'outils électriques peut entraîner des blessures corporelles graves.
- **Utilisez les équipements de protection individuelle. Portez toujours une protection oculaire.** Les équipements de protection tels que les masques anti-poussière, les chaussures de sécurité antidérapantes, les pantalons, les casques de sécurité ou les protections auditives réduisent les risques de blessures corporelles lorsqu'ils sont utilisés dans les conditions appropriées.
- **Empêchez tout démarrage intempestif. Assurez-vous que l'interrupteur est en position d'arrêt avant de brancher l'outil électrique à la source d'alimentation et/ou au bloc de batterie, de le ramasser ou de le transporter.** Transporter des outils électriques avec votre doigt sur l'interrupteur, ou encore, les mettre sous tension alors que l'interrupteur est en position de marche, favorise les accidents.
- **Retirez toute clé de réglage avant de mettre l'outil électrique en marche.** Une clé laissée sur une pièce rotative de l'outil peut entraîner des blessures corporelles.
- **Ne vous penchez pas trop en avant. Gardez une position stable et en équilibre à tout moment (Fig. 1).** Cela permet un meilleur contrôle de l'outil électrique en cas d'imprévu.

FIG. 1



- **Habillez-vous convenablement. Ne portez pas de vêtements amples ni de bijoux. Gardez vos cheveux, vêtements et gants à l'écart des pièces mobiles.** Les vêtements amples, les bijoux et les cheveux longs peuvent être happés par des pièces mobiles.
- **Si des dispositifs sont prévus pour le raccordement d'installations d'extraction et de collecte de poussière, assurez-vous qu'ils sont connectés et correctement utilisés.** L'utilisation d'un dispositif de collecte de poussière peut réduire les risques liés à la poussière.

Utilisation et entretien des outils électriques

- **Ne forcez pas l'outil électrique. Utilisez l'outil approprié à votre application.** L'outil électrique approprié réalisera un meilleur travail et de façon plus sûre, à la vitesse pour laquelle il a été conçu.
- **N'utilisez pas l'outil électrique si vous ne pouvez pas l'allumer ou l'éteindre à l'aide de l'interrupteur.** Tout outil électrique qui ne peut être commandé avec l'interrupteur est dangereux et doit être réparé.
- **Débranchez la fiche de la source d'alimentation et/ou le bloc de batterie de l'outil électrique avant d'effectuer tout réglage, changement d'accessoires ou de l'entreposer.** De telles mesures de sécurité préventive réduisent le risque de démarrage intempestif de l'outil électrique.
- **Entreposez les outils électriques non utilisés hors de portée des enfants et évitez que des personnes ne connaissant pas bien l'outil l'utilisent.** Les outils électriques sont dangereux entre les mains de novices.
- **Entretenez les outils électriques. Vérifiez s'il n'y a pas de mauvais alignement ou de blocage des pièces mobiles, de rupture de pièces et toute autre condition qui pourrait nuire au bon fonctionnement de l'outil. S'il est endommagé, faites-le réparer avant de l'utiliser.** De nombreux accidents sont causés par des outils électriques mal entretenus.

- **Assurez-vous que les outils de coupe restent tranchants et propres.** Les outils de coupe bien entretenus et toujours tranchants sont moins susceptibles de se coincer et plus faciles à contrôler.
- **Utilisez l'outil électrique, les accessoires, les embouts, etc. conformément à ces instructions, en tenant compte des conditions de travail et du travail à effectuer.** L'utilisation de l'outil pour des opérations différentes de celles prévues pourrait entraîner une situation dangereuse.

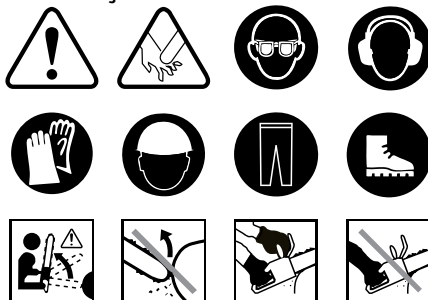
Utilisation et entretien des outils à batterie

- **Ne recharger la batterie qu'avec le chargeur spécifié par le fabricant.** Un chargeur adéquat pour un certain type de bloc de batterie peut créer un risque d'incendie s'il est utilisé avec un autre bloc de batterie.
- **N'utilisez les tronçonneuses qu'avec les blocs de batterie spécifiquement indiqués.** L'utilisation de tout autre bloc de batterie peut entraîner un risque d'incendie ou de blessure.
- **Hors utilisation, conservez le bloc de batterie à l'écart des autres objets métalliques tels que les trombones, pièces de monnaie, clés, clous, vis et autres petits objets métalliques pouvant établir une connexion entre les deux bornes.** Provoquer un court-circuit entre les bornes de la batterie peut entraîner des brûlures ou un incendie.
- **En cas d'utilisation abusive, la batterie peut éjecter une certaine quantité de liquide; évitez tout contact.** En cas de contact accidentel, rincez à l'eau. En cas de contact avec les yeux, consultez également un médecin. Le liquide éjecté peut entraîner des irritations ou des brûlures.
- **Ne pas démonter la tronçonneuse, le chargeur ou le bloc de batterie ou tenter de les réparer. Une telle intervention peut infliger des chocs électriques.**

Réparations

Faites réparer votre outil électrique par un réparateur qualifié utilisant uniquement des pièces de rechange identiques. Cela garantira le maintien de la sécurité de l'outil.

Avertissements de sécurité relatifs à la tronçonneuse



- **Tenez toutes les parties du corps à distance de la chaîne de la tronçonneuse lorsque vous l'utilisez. Avant de mettre la tronçonneuse en marche, assurez-vous que la chaîne n'est pas en contact avec d'autres objets.** Un moment d'inattention lors de l'utilisation de la tronçonneuse peut entraîner un accrochage vestimentaire ou corporel de la chaîne.
- **Veillez à toujours tenir la tronçonneuse avec votre main droite sur la poignée arrière et votre main gauche sur la poignée avant.** Il est conseillé de ne jamais tenir la tronçonneuse en inversant la position des mains, car cela augmente les risques de blessures. Remarque : En ce qui concerne les tronçonneuses conçues avec le guide-chaîne du côté gauche, la référence à la position de la main droite et à celle de la main gauche est inversée.
- **Portez des lunettes de sécurité et une protection auditive. Il est également conseillé de protéger votre tête, vos mains, vos jambes et vos pieds.** Des vêtements de protection adéquats réduiront le risque de blessure corporelle due à des jets de débris ou à un contact accidentel avec la chaîne de la tronçonneuse.
- **N'utilisez pas une tronçonneuse dans un arbre.** L'utilisation d'une tronçonneuse alors que vous vous trouvez dans un arbre peut entraîner des blessures.
- **Maintenez constamment votre prise au sol et utilisez la tronçonneuse uniquement lorsque vous êtes debout sur une surface plane, stable et fixe.** Les surfaces glissantes ou instables comme les échelles peuvent provoquer une perte d'équilibre ou de contrôle de la tronçonneuse.
- **Suivez les instructions d'affûtage et d'entretien de la chaîne de la tronçonneuse données par le fabricant.** L'abaissement de la hauteur du limiteur de profondeur peut augmenter les effets de rebond.

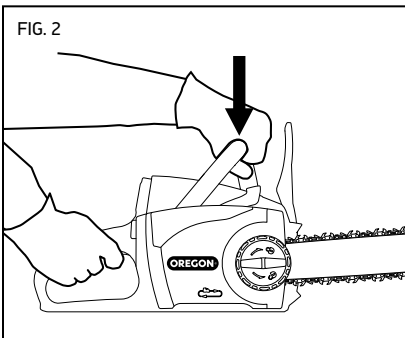
⚠ DANGER : Tout contact avec une tronçonneuse en mouvement entraînera des blessures corporelles graves. Tenir les mains et le corps à distance de la tronçonneuse en mouvement.

⚠ DANGER : Tout contact avec le câblage électrique pendant l'utilisation peut rendre des pièces de métal de l'outil porteuses de courant et causer des blessures corporelles graves. Toujours tenir la tronçonneuse par les surfaces isolées pendant l'utilisation.

⚠ AVERTISSEMENT : L'utilisation d'une tronçonneuse mal assemblée peut entraîner des blessures corporelles graves. Utilisez uniquement cet outil après qu'il ait été correctement assemblé, conformément aux instructions de la section « Déballage et montage » contenue dans ce manuel.

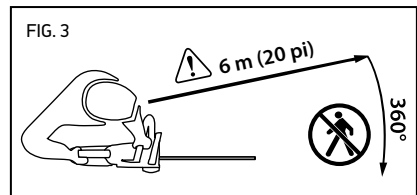
⚠ AVERTISSEMENT : Un moment d'inattention lors de l'utilisation d'une tronçonneuse peut entraîner des blessures corporelles graves. Avant de démarrer la tronçonneuse, minimiser toutes les distractions, tenir les parties du corps à distance de la tronçonneuse et s'assurer que la chaîne n'est en contact avec aucun objet.

⚠ AVERTISSEMENT : L'utilisation d'une seule main pour opérer la tronçonneuse peut entraîner des blessures. Toujours utiliser les deux mains pour opérer la tronçonneuse (voir la Fig. 2).



⚠ ATTENTION : Le contact avec des jets de débris ou le contact accidentel avec la chaîne de la tronçonneuse peut entraîner des blessures. Toujours porter un équipement de sécurité pour protéger votre tête, vos oreilles, vos mains, vos jambes et vos pieds.

⚠ ATTENTION : Établissez une zone de sécurité des observateurs de 6 m (20 pi) avant d'utiliser cet équipement. La zone de sécurité des observateurs est un périmètre de 6 m (20 pi) autour de l'opérateur, dans lequel aucun observateur adulte, enfant, ni animal ne doit se trouver (Fig. 3).



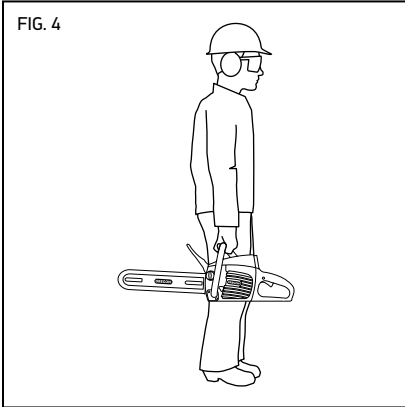
⚠ ATTENTION : Les branches sous tension peuvent « revenir en arrière subitement » et toucher l'opérateur ou lui faire perdre le contrôle de la tronçonneuse, entraînant alors des blessures. Soyez toujours attentif aux branches sous tension qui pourraient frapper l'opérateur ou la tronçonneuse une fois coupées.

⚠ ATTENTION : Une chaîne mal lubrifiée ou mal tendue peut augmenter le risque de blessures causé par le rebond. Suivez toujours les instructions de mise en tension de la chaîne contenues dans ce manuel.

⚠ ATTENTION : Les surfaces humides ou huileuses peuvent entraîner une perte de contrôle de l'outil, et causer des blessures. S'assurer que les poignées sont toujours sèches, propres et exemptes d'huile et de graisse.

⚠ ATTENTION : L'utilisation de la tronçonneuse à des fins autres que celles pour lesquelles elle est conçue peut créer des conditions dangereuses. La tronçonneuse est conçue uniquement pour couper de petites branches.

⚠ ATTENTION : Pour éviter tout contact accidentel avec la chaîne de la tronçonneuse pendant le transport, toujours placer le couvre-lame et tenir les mains et les doigts à distance de la zone de la gâchette (Fig. 4).



⚠ ATTENTION : Il a été signalé que l'utilisation prolongée d'outils électriques peut causer des troubles vasculaires, musculaires ou neurologiques (par exemple, le phénomène du doigt mort causé par les vibrations ou le Syndrome de Raynaud). Pour réduire le risque de blessures, suivez les instructions suivantes :

- Portez des gants et gardez vos mains ainsi que votre corps au chaud.
- Tenez fermement la tronçonneuse, mais n'exercez pas de pression prolongée et excessive. Laissez la tronçonneuse faire le travail pour vous.
- Veillez à ce que le système de coupe soit bien entretenu.
- Faites souvent des pauses.

Les vibrations en condition normale peuvent différer des valeurs indiquées dans le présent manuel selon le matériau à couper, l'entretien du système de coupe et d'autres facteurs.

- **Lorsque vous coupez une branche sous tension, faites attention au redressement de celle-ci.** Lorsque la tension des fibres de bois est relâchée, le redressement qui en résulte peut heurter l'utilisateur et/ou projeter la tronçonneuse et la rendre incontrôlable.
- **Faites très attention lorsque vous coupez des buissons ou des arbrisseaux.** Ce bois fin peut attraper la chaîne de la tronçonneuse qui peut alors glisser vers vous ou vous faire perdre l'équilibre.
- **Portez la tronçonneuse par la poignée avant avec l'interrupteur en position d'arrêt et loin de votre corps. Lorsque vous transportez ou entreposez la tronçonneuse, mettez toujours le couvercle du guide-chaîne.** Une manipulation correcte de la tronçonneuse réduit la probabilité de contact accidentel avec la chaîne en mouvement.
- **Suivez les instructions pour la lubrification, la tension de la chaîne et le remplacement des accessoires. Une chaîne mal lubrifiée ou mal tendue peut casser ou augmenter le risque de rebond.**
- **Gardez les poignées sèches, propres et exemptes d'huile et de graisse.** Des poignées huileuses et couvertes de graisse sont glissantes, ce qui peut provoquer une perte de contrôle.
- **Coupez uniquement du bois. N'utilisez pas la tronçonneuse pour des tâches non adaptées.** Par exemple : n'utilisez pas la tronçonneuse pour découper du plastique, de la maçonnerie ou des matériaux de construction qui ne sont pas en bois. L'utilisation de la tronçonneuse pour des tâches différentes de celles pour lesquelles elle a été conçue peut engendrer des situations dangereuses.
- **Utilisez toujours les deux mains pour opérer la tronçonneuse.**
- **La pièce de bois, le guide et la chaîne peuvent être chauds après la coupe. Portez des gants pour éviter les brûlures.**
- **Utilisez un équipement auxiliaire approprié et veillez à ce qu'il ne soit pas endommagé, qu'il soit de puissance adéquate et placé sans un potentiel de danger.** Utilisez un équipement auxiliaire uniquement aux fins auxquelles il est destiné.

Causes de l'effet de rebond et prévention par l'opérateur



Un effet de rebond peut se produire lorsque l'extrémité ou la pointe du guide-chaîne touche un objet ou lorsque le bois se referme et vient pincer la chaîne pendant la coupe.

Dans certains cas, un contact avec la pointe peut provoquer une réaction d'inversion soudaine, ce qui peut soulever le guide-chaîne et le renvoyer à l'opérateur.

Un pincement de la chaîne le long du haut du guide-chaîne peut faire reculer le guide-chaîne rapidement vers l'opérateur.

Ces réactions peuvent faire perdre le contrôle de la tronçonneuse et provoquer ainsi des blessures graves. Ne vous fiez pas exclusivement aux dispositifs de sécurité intégrés à votre tronçonneuse. Quand vous utilisez une tronçonneuse, vous devez prendre certaines mesures pour éviter les accidents et les blessures lors de la coupe.

L'effet de rebond est causé par une mauvaise utilisation de l'outil et/ou de l'application incorrecte des procédures ou des conditions, et il peut être évité en prenant les précautions indiquées ci-après :

- Maintenez fermement les poignées de la tronçonneuse en les encerclant avec les pouces et les doigts. Tenez la tronçonneuse des deux mains et placez votre corps et vos bras de manière à pouvoir résister aux forces des effets de rebond. L'opérateur, s'il prend les précautions nécessaires, peut contrôler la force des effets de rebond. Ne laissez pas la tronçonneuse vous échapper.
- Ne visez pas trop haut et ne découpez pas à une hauteur qui dépasse votre épaule. Cela permet d'éviter les contacts accidentels avec l'extrémité et un meilleur contrôle de la tronçonneuse dans les situations imprévues.
- Utilisez uniquement les guides et les chaînes de remplacement indiqués par le fabricant. Des guides et des chaînes de remplacement incorrects peuvent casser la chaîne et provoquer des blessures et/ou un effet de rebond.
- Suivez les instructions d'affûtage et d'entretien de la chaîne de la tronçonneuse données par le fabricant. L'abaissement de la hauteur du limiteur de profondeur peut augmenter les effets de rebond.

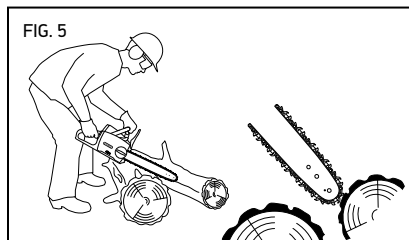
Dispositifs de sécurité concernant l'effet de rebond sur cette tronçonneuse

⚠ DANGER : Ne modifiez pas ou n'essayez pas de démonter le frein de la chaîne.

⚠ DANGER : Utilisez uniquement les guides et les chaînes de remplacement indiqués par Oregon^{MD}. Des guides et des chaînes de remplacement non préconisés peuvent casser la chaîne et provoquer des blessures dues aux effets de rebond.

FREIN DE LA CHAÎNE

La tronçonneuse est équipée d'un frein de chaîne, qui arrête le moteur et le mouvement de la chaîne en cas d'effet de rebond (Fig. 5). Le frein de la chaîne peut être activé lors d'un mouvement vers l'avant du protège-main et lorsque la chaîne tourne vers l'arrière pendant l'effet de rebond ; il peut également être activé par la force d'inertie générée par un recul rapide.



CHAÎNE

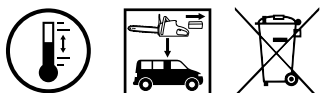
Cette tronçonneuse est fournie avec une chaîne qui répond aux exigences de faible effet de rebond des normes ANSI B175.1 lorsque testée avec des modèles de tronçonneuses représentatifs. Pour obtenir des renseignements sur la chaîne de remplacement, consultez la section « Caractéristiques et composants » contenue dans ce manuel.

GUIDE

Cette tronçonneuse est équipée d'un guide-chaîne à effet de rebond réduit dont la hauteur de pointe est faible. Les petites hauteurs de pointe ont en règle générale un potentiel d'effet de rebond plus faible.

Lors du remplacement du guide, veillez à commander le guide mentionné dans ce manuel afin de maintenir un faible effet de rebond.

Entreposage, transport et élimination



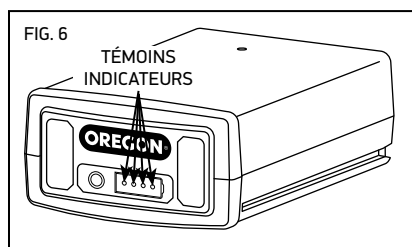
ENTREPOSAGE DE LA TRONÇONNEUSE

- Retirez le bloc de batterie de la tronçonneuse.
- Nettoyez minutieusement la tronçonneuse.
- Installez le couvre-lame.
- Entreposez-le dans un lieu sec.
- Tenez-le hors de portée des enfants et des animaux.
- Il est normal qu'une petite quantité d'huile s'écoule du guide-chaîne lorsque la tronçonneuse n'est pas utilisée. Afin de vous protéger contre ces fuites, installez le couvre-lame et mettez un tissu absorbant sous le guide.

ENTREPOSAGE DE LA BATTERIE

Lorsque vous entreposez le bloc de batterie pendant plus de neuf mois, suivez les directives ci-dessous :

- Retirez le bloc de batterie de la tronçonneuse ou du chargeur.
- Entreposez-le dans un lieu frais et sec.
- Tenez-le hors de portée des enfants et des animaux.
- Pour prolonger la durée de vie des batteries, n'entreposez jamais de blocs de batterie à l'état complètement déchargé (aucun témoin allumé) (Fig. 6).



- Pour garantir une durée de vie maximale de la batterie, assurez-vous de recharger le bloc de batterie une fois par an ou quand un seul voyant s'allume sur l'indicateur à DEL.
- Entreposez-le à une température comprise entre -20 et 30 °C (entre -4 et 86 °F).

ENTREPOSAGE DU CHARGEUR

- Retirez le bloc de batterie du chargeur.
- Débranchez le chargeur de la source d'alimentation.
- Entreposez-le dans un lieu sec.
- Tenez-le hors de portée des enfants et des animaux.

Pour plus de renseignements, consultez la section « Entretien et nettoyage ».

TRANSPORT DE LA TRONÇONNEUSE

- Retirez le bloc de batterie de la tronçonneuse.
- Installez le couvre-lame.
- Si vous le voulez, purgez l'huile de la barre et de la chaîne pour limiter les fuites.
- Portez la tronçonneuse avec la barre et la chaîne orientée vers l'arrière de l'utilisateur.
- Les outils peuvent bouger pendant le transport. Assurez-vous que l'outil est sécurisé et qu'il ne peut ni tomber ni entrer en contact avec des personnes ou des biens.

TRANSPORT DU BLOC DE BATTERIE

Respectez les réglementations locales et nationales lors du transport de batteries au lithium-ion; un étiquetage spécial pourra être requis.

MISE AU REBUT DE LA TRONÇONNEUSE ET DU CHARGEUR

Le produit Oregon^{MD} est conçu et fabriqué avec des matériaux et des composants de haute qualité qui peuvent être recyclés et réutilisés. Veuillez vous débarrasser de cet équipement en respectant l'environnement, dans un centre de collecte/recyclage des déchets local.

MISE AU REBUT DE LA BATTERIE

Ne pas incinérer ni jeter les batteries au lithium-ion dans les ordures ménagères. Les organismes locaux de récupération et de recyclage connaissent les moyens d'élimination et de recyclage adéquats. Les batteries peuvent être récupérées aux États-Unis et au Canada par Rechargeable Battery Recycling Corporation. Oregon^{MD} a déjà défrayé le coût de recyclage de vos batteries. Rapporter vos batteries épuisées aux détaillants participant au programme ou à votre centre de recyclage. La liste des sites de récupération et d'autres renseignements sont affichés à www.call2recycle.org ou encore vous pouvez composer le 1-800-8BATTERY.



Sécurité de la batterie

⚠ AVERTISSEMENT : L'entretien inapproprié de la batterie peut provoquer une fuite de produits chimiques dangereux, une surchauffe, une émission de fumée; la batterie peut également éclater, exploser et/ou s'enflammer. Respectez ces règles de sécurité.

⚠ ATTENTION : Ne jetez pas le bloc de batterie au feu ou aux ordures. Envoyez les blocs de batteries au lithium-ion dans un centre de recyclage autorisé.

IMPORTANT : L'exposition à une chaleur excessive peut entraîner une perte de capacité et/ou réduire sa durée utile. Ne pas exposer la batterie à une chaleur excessive (par exemple à l'intérieur d'un véhicule par temps chaud).

- Ne tentez pas de recharger un bloc de batterie non rechargeable.
- Ne pas ouvrir ou modifier la batterie. Cela peut endommager les dispositifs de sécurité.
- Ne reliez pas les bornes positive (+) et négative (-) avec des objets métalliques et n'entreposez pas le bloc de batterie avec des objets métalliques tels que des pièces de monnaie ou des vis. Cela peut entraîner un court-circuit et générer assez de chaleur pour provoquer des brûlures.
- N'incinérerez pas le bloc de batterie et ne l'exposez pas à une chaleur excessive. Cela peut faire fondre l'isolation ou endommager les dispositifs de sécurité.
- N'utilisez pas, ne rechargez pas et n'entreposez pas la batterie près d'une source de chaleur supérieure à 80 °C (176 °F). Cela peut provoquer une surchauffe et un court-circuit interne.
- Ne l'exposez pas à des conditions extrêmement humides. Cela peut endommager les dispositifs de sécurité, produire un courant et une tension de charge très élevés et conduire à des réactions chimiques anormales.
- Utilisez exclusivement le chargeur spécialement conçu pour le bloc de batterie et suivez les consignes de sécurité décrites dans la section « Sécurité du chargeur ». L'utilisation d'un autre chargeur peut endommager les dispositifs de sécurité, produire un courant et une tension de charge très élevés et conduire à des réactions chimiques anormales.
- N'utilisez pas les blocs de batterie de la marque Oregon^{MD} dans des outils d'une autre marque.
- Ne frappez pas, ne percez pas et ne jetez pas le bloc de batterie; n'en utilisez pas un qui soit endommagé ou déformé.
- Si la recharge échoue, ne la retentez pas.
- Si le bloc de batterie dégage une odeur, devient chaud, se décolore, se déforme ou s'il semble anormal de quelque façon que ce soit pendant l'utilisation, la recharge ou l'entreposage, retirez-le immédiatement de la tronçonneuse ou du chargeur.
- Tout liquide s'écoulant de la batterie est corrosif, peut endommager les yeux ainsi que la peau et peut être toxique s'il est avalé.

Sécurité du chargeur

INSTRUCTIONS DE SÉCURITÉ IMPORTANTES

⚠ AVERTISSEMENT : Risque de décharge électrique. Lorsqu'il est utilisé exclusivement à l'extérieur, utilisez-le uniquement sur une prise protégée par un disjoncteur de fuite à la terre DDFT « Classe A », couverte et résistante aux intempéries, avec le bloc d'alimentation branché à la prise. Si celui-ci n'est pas fourni, communiquez avec un électricien qualifié pour une installation correcte. Assurez-vous que le bloc d'alimentation et le cordon n'empêchent pas le couvercle de la prise de se fermer complètement.

IMPORTANT : Ce chargeur ne doit pas être utilisé par des personnes ayant des déficiences physiques, sensorielles ou mentales (ou par des enfants) ou qui ne possèdent pas des connaissances suffisantes, à moins qu'elles aient reçu des instructions ou qu'elles soient sous la supervision d'une personne responsable de leur sécurité. Toujours garder les enfants sous surveillance pour assurer qu'ils ne jouent pas avec le chargeur.

IMPORTANT : Utilisez ce chargeur uniquement avec le cordon d'alimentation fourni, en vous assurant que la fiche d'entrée s'adapte correctement à la prise de sortie.

Les précautions de base doivent toujours être appliquées lors de l'utilisation de produits électriques, notamment les suivantes :

- **Lisez et suivez toutes les instructions de sécurité avant utilisation.** Lisez et suivez toutes les instructions figurant sur le produit ou fournies avec celui-ci.
- **Conservez ces instructions.**
- **N'utilisez pas de rallonge.**
- **Des cordons endommagés ou enchevêtrés augmentent le risque de choc électrique.** Ne malmenez pas le cordon. N'utilisez jamais le cordon pour transporter, tirer ou débrancher l'outil électrique. Gardez le cordon à l'écart de la chaleur, de l'huile, des bords tranchants et des pièces mobiles.
- **N'exposez pas le chargeur à la pluie.** Pour une utilisation en intérieur uniquement.
- **Ne l'utilisez pas à moins de 3 m (10 pi) d'une piscine.**
- **Ne l'utilisez pas dans une salle de bain.**

Symboles et étiquettes

Ces symboles et étiquettes apparaissent sur la tronçonneuse, la batterie et le chargeur.

| SYMBOLE | NOM | EXPLICATION |
|---|---|--|
|  | Symbole d'alerte de sécurité | Signale que le texte qui suit explique un danger, un avertissement ou une mise en garde. |
|  | Lire les instructions | Le manuel d'instructions original contient des renseignements importants sur le fonctionnement et la sécurité. Lisez et suivez attentivement ces instructions. |
|  | Porter une protection oculaire | Porter une protection oculaire lors de l'utilisation de la tronçonneuse. |
|  | Porter une protection auditive | Porter une protection auditive lors de l'utilisation de la tronçonneuse. |
|  | Porter une protection pour les mains | Porter des gants lors de l'utilisation de la tronçonneuse et lors de la manipulation de la chaîne. |
|  | Porter une protection pour la tête | Porter un casque de sécurité lors de l'utilisation de la tronçonneuse. |
|  | Porter un pantalon | Porter un pantalon lors de l'utilisation de la tronçonneuse. |
|  | Porter une protection pour les pieds | Porter des bottes de sécurité fermées appropriées lors de l'utilisation de la tronçonneuse. |
|  | Puissance acoustique | Le niveau de puissance acoustique est de 100 dB (K = 2.5 dB). |
|  | Attention à l'effet de rebond | L'effet de rebond peut provoquer de graves blessures. |
|  | Contact avec l'extrémité du guide | Éviter tout contact avec l'extrémité du guide. |
|  | Angle d'effet de rebond de la chaîne | Conçue pour une utilisation avec une chaîne à faible effet de rebond. |
|  | Tenue à deux mains | Tenir la tronçonneuse avec les deux mains. |
|  | Tenue à une main | Ne pas tenir la tronçonneuse avec une seule main. |
|  | Ne pas utiliser une échelle | Ne jamais se tenir debout sur une échelle lors de l'utilisation de la tronçonneuse. |
|  | Ne pas incinérer | Ne pas jeter dans le feu. |
|  | Ne pas jeter | Ne pas jeter dans les ordures ménagères. Apporter à un centre de recyclage autorisé. |
|  | Utilisation à l'intérieur uniquement | Chargeur destiné à une utilisation à l'intérieur seulement. |
|  | Température de fonctionnement | Utilisez un bloc de batterie uniquement à une température comprise entre 0 et 40 °C (32 et 104 °F). |
|  | Outil de coupe | Outil de coupe. Ne pas toucher la chaîne sans avoir d'abord désactivé la tronçonneuse en retirant la batterie. |
|  | Retirer la batterie | Retirez la batterie avant toute opération d'entretien. |
|  | Retirer la batterie avant le transport | Retirer le bloc de batterie de la tronçonneuse avant l'entreposage, le transport ou la mise au rebut. |

Noms et termes relatifs à la tronçonneuse

Anneau de tension de la chaîne : anneau autour du bouton de relâchement du panneau latéral qui, lorsqu'il est tourné, ajuste la tension de la chaîne.

Attrape-chaîne : dispositif servant à retenir la chaîne de la tronçonneuse si celle-ci brise ou déraille.

Burette à huile automatique : système qui lubrifie automatiquement le guide-chaîne et la chaîne de la tronçonneuse.

Calibre de chaîne : l'épaisseur du maillon d'enchaînement de la chaîne, à l'endroit où il s'ajuste dans la rainure du guide, indiquée par le numéro de pièce marqué sur les maillons d'enchaînement.

Chaîne à faible effet de rebond : chaîne conforme aux exigences de performance d'effet de rebond des normes ANSI B175.1 et CSA Z62.3.

Chaîne de la tronçonneuse : chaîne dentelée en boucle, qui coupe le bois, et qui est entraînée par le bloc moteur et soutenue par le guide-chaîne. Parfois appelée simplement la « chaîne ».

Collet d'alignement : saillie sur la plaque du coussinet qui s'ajuste dans l'encoche du guide.

Couvercle de guide-chaîne : couvercle plastique qui protège le guide-chaîne et la chaîne de la tronçonneuse lorsque celle-ci n'est pas utilisée.

Effet de rebond : mouvement arrière et/ou vertical (vers le haut) rapide du guide-chaîne qui se produit lorsque la chaîne près de l'extrémité supérieure du guide-chaîne entre en contact avec un objet comme une bûche ou une branche, ou lorsque la chaîne est prise dans une entaille du tronc.

Encoche du guide : partie découpée du guide-chaîne qui s'ajuste dans le collet d'alignement et le goujon.

Engrenage de tension de la chaîne : engrenage monté sur le guide-chaîne qui ajuste la tension de la chaîne lorsqu'il est tourné.

Entaille d'abattage : entaille dans le tronc qui dirige la chute de l'arbre.

Frein de la chaîne : dispositif servant à arrêter ou à verrouiller la chaîne de la tronçonneuse, activé manuellement ou automatiquement lorsqu'un rebond se produit.

Goujon : saillie filetée située sur le collet d'alignement qui s'étend à travers l'encoche du guide.

Griffe d'abattage : dispositif fixé sur l'avant de la tronçonneuse qui agit comme point pivot lorsqu'elle est en contact avec un arbre ou une bûche, pour faciliter la coupe. Également appelée « griffe ».

Guide-chaîne : structure sur rail qui supporte et guide la chaîne de la tronçonneuse. Parfois appelé simplement le « guide ».

Guide-chaîne à effet de rebond réduit : guide-chaîne ayant un rayon d'extrémité maximum tel que précisé par les normes ANSI B175.1 et CSA Z62.3 qui réduit de façon significative l'effet de rebond.

Interrupteur de la gâchette : dispositif qui permet d'allumer et d'éteindre la tronçonneuse.

Longueur de coupe utile : distance approximative entre la racine de la griffe d'abattage et le bord extérieur du maillon de coupe lorsque le tendeur est placé en position centrale.

Maillon d'enchaînement : maillon en forme d'aïlaron de la chaîne qui s'ajuste dans la rainure du guide-chaîne.

Panneau latéral : couvercle plastique sur la tête motrice qui couvre le pignon d'entraînement et l'engrenage de tension de la chaîne qui est retiré et installé à l'aide du bouton de relâchement du panneau latéral.

Pas de chaîne : la distance entre trois rivets consécutifs sur la chaîne de la tronçonneuse divisée par deux, indiquée par le numéro de pièce marqué sur les maillons d'enchaînement.

Pièces d'usure : pièces telles que la chaîne et le guide-chaîne qui s'usent pendant le fonctionnement et peuvent être remplacées par l'utilisateur.

Pignon d'entraînement : partie crantée qui conduit la chaîne de la tronçonneuse.

Plaque du coussinet : support de montage situé sur le bloc moteur qui aide à assurer un alignement approprié du guide-chaîne.

Poignée arrière : poignée d'appui située à l'arrière ou vers l'arrière de la tronçonneuse prévue pour être serrée par la main droite.

Poignée avant : poignée d'appui située à l'avant ou vers l'avant de la tronçonneuse prévue pour être serrée par la main gauche.

Protège-main arrière : barrière structurelle située au côté inférieur droit de la poignée arrière servant à protéger l'opérateur en cas de rupture ou de déraillement de la chaîne de la tronçonneuse.

Protège-main avant : barrière structurelle entre la poignée avant d'une tronçonneuse et le guide-chaîne, qui sert également de mécanisme d'activation du frein de la chaîne.

Tête motrice de la tronçonneuse : tronçonneuse sans chaîne ou guide-chaîne.

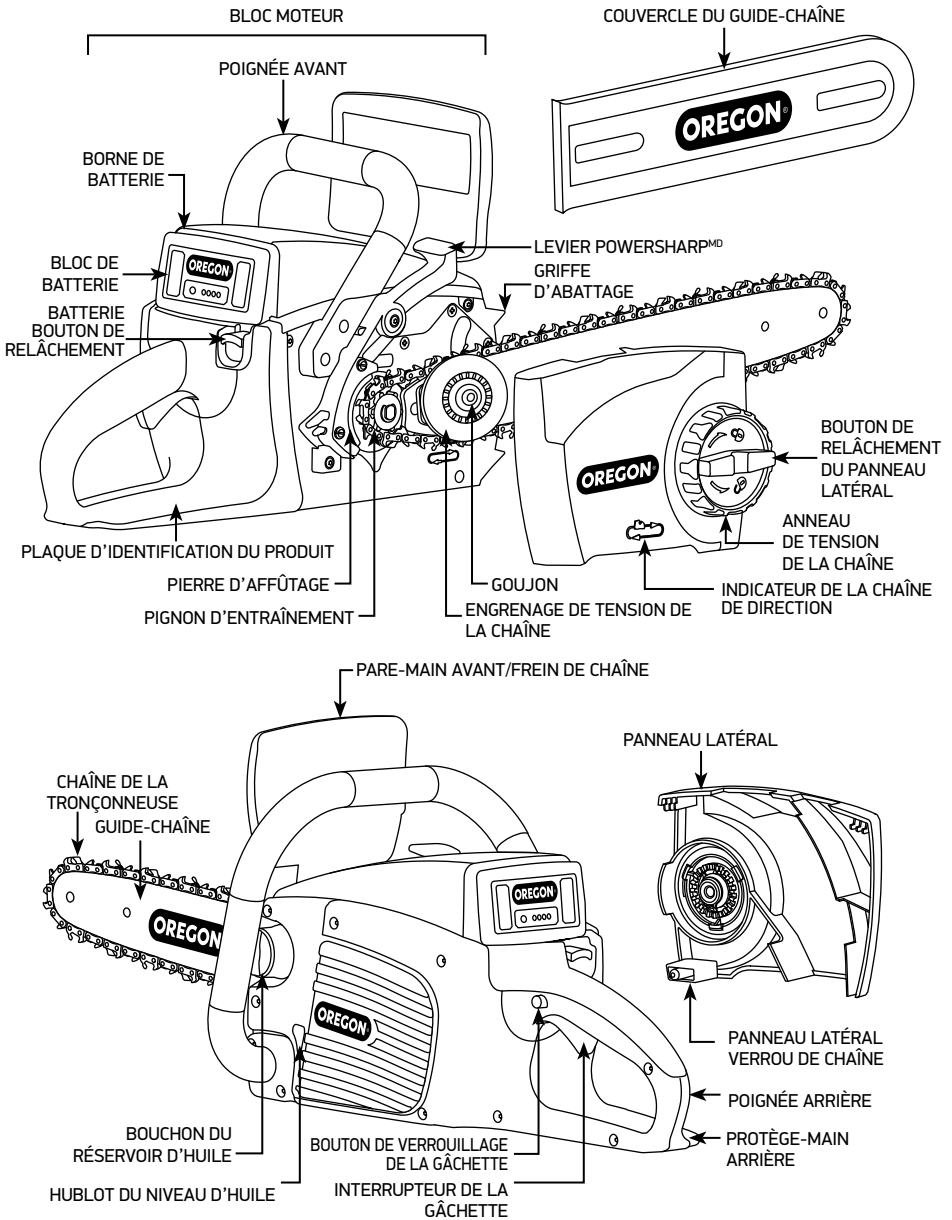
Trait d'abattage : dernière entaille lors du processus d'abattage pratiquée sur le côté opposé à l'entaille d'abattage sur le tronc d'un arbre.

Verrou de la gâchette : arrêt mobile qui empêche l'activation involontaire de l'interrupteur de la gâchette, jusqu'à ce qu'il soit activé manuellement.

Zone de sécurité des observateurs : cercle de 6 m (20 pi) autour de l'opérateur dans lequel aucun observateur, enfant et animal ne doit se trouver.

Identification du produit

Connaître la tronçonneuse



REMARQUE : consultez la section « Déballage et montage » pour obtenir la liste des éléments inclus.

Déballage et montage

Déballage

CONTENU DE LA BOÎTE

La tronçonneuse nécessite un assemblage avant utilisation. Les articles suivants sont livrés avec la tronçonneuse :

- Tête motrice
- Guide-chaîne
- Chaîne de la tronçonneuse
- Couvre-lame
- Engrenage de tension de la chaîne
- Anneau de tension de la chaîne
- Vis de tension de la chaîne
- Huile pour guide et chaîne
- Chargeur et cordon d'alimentation (si équipé)
- Batterie (si équipé)

Après avoir retiré la tronçonneuse de son carton d'emballage, examinez-la attentivement pour vous assurer qu'elle n'a subi aucun dommage pendant le transport et qu'aucune pièce ne manque. Si des pièces sont endommagées ou manquantes, n'utilisez pas la tronçonneuse. Afin d'obtenir des pièces de rechange, communiquez avec le Système d'outils à batterie Oregon^{MD} en appelant le 888 313-8665.

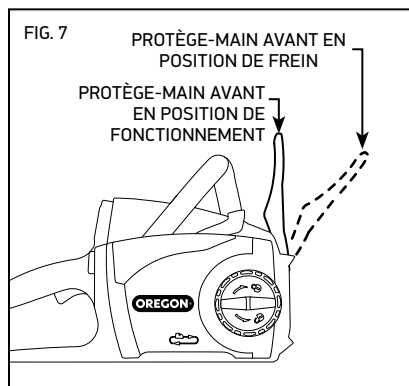
Montage

⚠ DANGER : Pour éviter des blessures corporelles graves, n'utilisez pas la tronçonneuse sans que le guide-chaîne, la chaîne et le panneau latéral soient bien assemblés.

⚠ AVERTISSEMENT : Ne tentez pas de faire fonctionner la tronçonneuse si une pièce est endommagée ou manquante.

Vérification de la position du protège-main avant

Une fois la tronçonneuse déballée, vérifiez la position du protège-main avant. La scie à chaîne ne fonctionnera pas si le frein de chaîne est engagé. Avant de la faire fonctionner, tirez le pare-main avant vers l'arrière jusqu'au niveau de la poignée avant (Fig. 7).

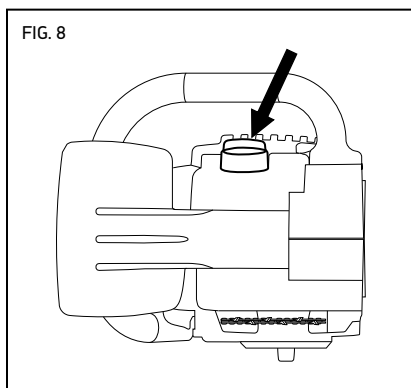


Remplissage du réservoir d'huile de guide et de la chaîne

IMPORTANT : L'huile pour guide et chaîne permet d'éviter une usure prématurée. N'utilisez jamais la tronçonneuse si l'huile n'est pas visible dans le hublot. Vérifiez souvent le niveau d'huile et remettez-en si nécessaire.

Il est nécessaire de lubrifier correctement le guide-chaîne et la chaîne avec de l'huile adaptée. La tronçonneuse est équipée d'un huileur automatique qui dépose l'huile sur le guide et la chaîne pendant le fonctionnement, les maintenant ainsi parfaitement lubrifiés. Pour de meilleurs résultats, utilisez l'huile pour guide et chaîne Oregon^{MD}. Elle a été spécialement conçue pour réduire les frictions et accélérer les coupes. N'utilisez **JAMAIS** d'huile ou d'autres lubrifiants n'ayant pas été spécialement conçus pour le guide et la chaîne. Cela peut entraîner une coagulation de l'huile dans le système, ce qui peut user prématurément le guide et la chaîne.

Placez la tronçonneuse sur une surface solide et plane, de sorte que le bouchon d'huile soit orienté vers le haut (Fig. 8).



- Nettoyez tous les débris de la zone du bouchon.
- Enlevez le bouchon.
- Versez soigneusement l'huile pour guide et chaîne dans le réservoir.
- Remplacez le bouchon et assurez-vous que l'huile est visible dans le réservoir.

Si l'huile n'est pas visible dans le réservoir, il est nécessaire d'ajouter de l'huile pour guide et chaîne.

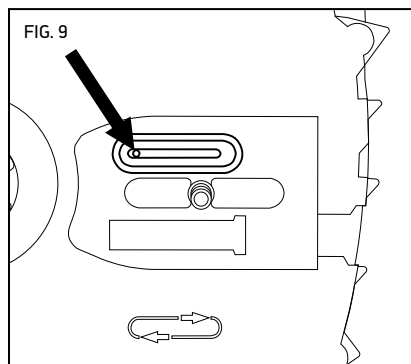
AMORÇAGE DE L'HUILEUR

⚠ AVERTISSEMENT : Pour réduire le risque de blessure, ne faites jamais fonctionner la tronçonneuse sans panneau latéral.

⚠ ATTENTION : Gardez les mains, les vêtements et les cheveux éloignés du pignon d'entraînement lors de l'amorçage de l'huileur.

S'il s'agit du premier remplissage du réservoir d'huile de guide et de la chaîne, ou si la tronçonneuse est entreposée depuis longtemps sans utilisation, il faut amorcer l'huileur.

- Insérez la batterie.
- Faites fonctionner la tronçonneuse pendant environ deux minutes.
- Retirez la batterie.
- Desserrez le bouton de relâchement du panneau latéral en le tournant dans le sens antihoraire et enlevez-le.
- Vérifiez la présence d'huile sur la plaque du coussinet (Fig. 9).



- Si l'huile n'est pas présente sur la plaque du coussinet, remplacez le panneau latéral et faites fonctionner la tronçonneuse pendant 30 secondes supplémentaires.
- Lorsque l'huile commence à couler du trou, la tronçonneuse est prête pour l'assemblage du guide-chaîne et de la chaîne.

Si l'huile n'est pas visible dans le réservoir, il est nécessaire d'ajouter de l'huile pour guide et chaîne.

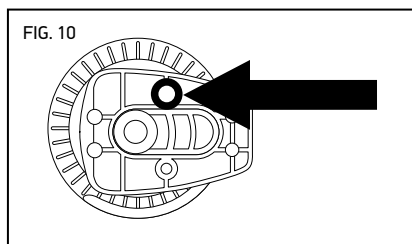
Assemblage du guide-chaîne et de la chaîne de la tronçonneuse



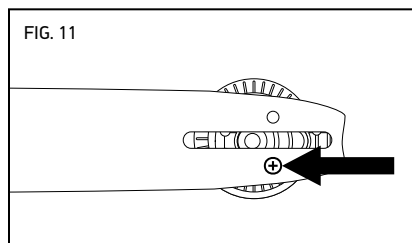
⚠ AVERTISSEMENT : Un outil fonctionnant à batterie, avec le bloc de batterie inséré, est toujours sous tension et peut démarrer accidentellement. Retirez le bloc de batterie de la tronçonneuse avant d'y fixer le guide-chaîne et la chaîne.

Portez des gants.

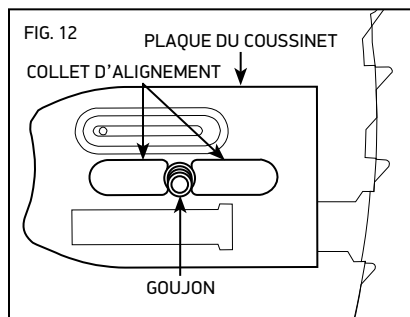
- Retirez la batterie.
- Desserrez le bouton de relâchement du panneau latéral en le tournant dans le sens antihoraire et enlevez le panneau latéral.
- Il y a une rondelle de caoutchouc qui est importante pour le fonctionnement de la tronçonneuse. Elle doit être placée autour de la broche située sur le tendeur avant que celui-ci ne soit fixé sur le guide (Fig. 10).



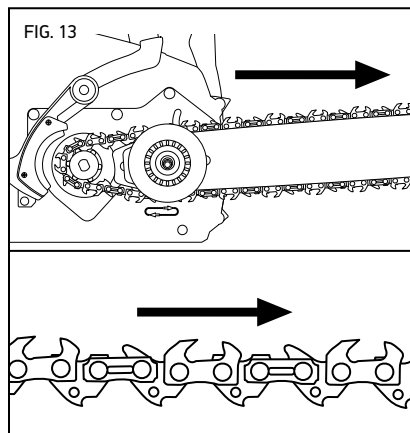
- Insérez la vis de l'arrière de l'engrenage de tension de la chaîne et fixez l'engrenage de tension de la chaîne sur le guide-chaîne (Fig. 11).



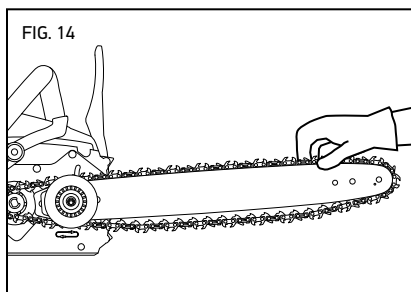
- Placez l'engrenage de tension de la chaîne sur le côté du guide-chaîne face à vous de sorte que la pièce rectangulaire ne dépasse pas les bords du guide-chaîne et insérez la vis.
- Placez le guide-chaîne sur la plaque du coussinet en faisant glisser l'encoche du guide sur le collet d'alignement (Fig. 12), avec le goujon inséré dans le trou, dans l'engrenage de tension de la chaîne.



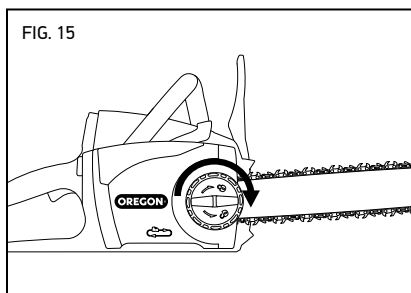
- Enroulez la nouvelle chaîne sur le pignon d'entraînement, en plaçant les bords tranchants des dents le long du bord supérieur du guide-chaîne à l'écart de la tête motrice (Fig. 13).



- Rentrez la chaîne dans la rainure du guide. Faites tourner l'engrenage de tension de la chaîne loin du moteur afin d'enlever du mou de la chaîne (Fig. 14).



- Installez le panneau latéral, en vous assurant que l'attrape-chaîne est positionné correctement dans son trou, puis serrez légèrement le bouton de relâchement du panneau latéral (Fig. 15).



Mise en tension de la chaîne de la tronçonneuse



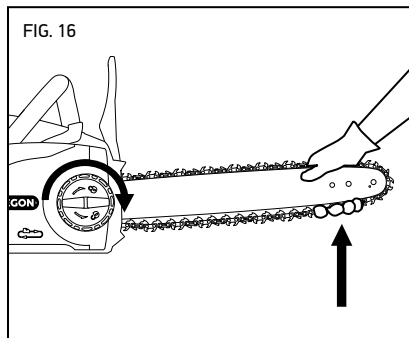
⚠ AVERTISSEMENT : Un outil fonctionnant à batterie, avec le bloc de batterie inséré, est toujours sous tension et peut démarrer accidentellement. Retirez le bloc de batterie de la tronçonneuse avant d'y fixer l'arbre extensible, le guide-chaîne et la chaîne.

⚠ AVERTISSEMENT : Si la chaîne est toujours desserrée lorsque la tronçonneuse a atteint la tension maximale, remplacez-la.

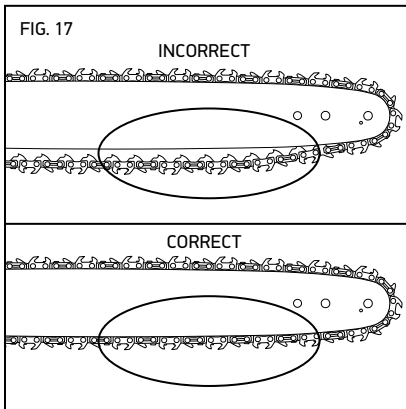
IMPORTANT : Tendez la chaîne uniquement lorsque celle-ci est refroidie. Une chaîne chaude peut faire se contracter et endommager le guide-chaîne ou la chaîne pendant le refroidissement.

Portez des gants.

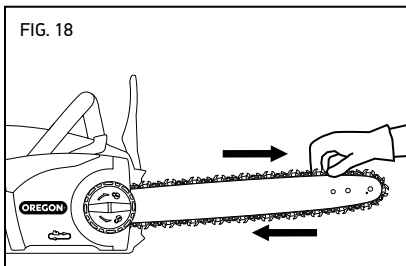
- Retirez la batterie.
- Desserrez légèrement le bouton de relâchement du panneau latéral, mais n'enlevez pas le panneau.
- Maintenez le renvoi du guide-chaîne vers le haut (Fig. 16), puis tournez l'anneau de tension de la chaîne dans le sens horaire.



- Serrez l'anneau de tension de la chaîne jusqu'à ce que les lames inférieures situées sous le guide entrent en contact avec le guide (Fig. 17).



- La tension de la chaîne de la scie est correcte lorsque, par un certain effort, vous pouvez avec un gant tirer la chaîne sans heurt autour du guide. La chaîne doit toucher la partie inférieure du rail du guide (Fig. 18).



- Serrez le bouton de relâchement du panneau latéral.
- Après une courte utilisation, laissez la chaîne refroidir, retirez la batterie et vérifiez à nouveau la tension. Contrôlez attentivement la tension pendant la première demi-heure d'utilisation, puis régulièrement pendant toute la durée de vie de la chaîne, en réajustant si nécessaire lorsque la chaîne et le guide sont froids au toucher. Ne tendez jamais la chaîne lorsqu'elle est chaude.

La chaîne de la tronçonneuse se tendra, ce qui est le résultat d'une utilisation normale; cependant, un apport insuffisant en huile, une utilisation agressive ou un défaut d'entretien peut provoquer un étirement prématuré.

Fonctionnement de la tronçonneuse

Bloc de batterie et chargeur

⚠ AVERTISSEMENT : NE RECHARGEZ PAS LE BLOC DE BATTERIE SOUS LA PLUIE.

INDICATEUR DE NIVEAU DE CHARGE DE LA BATTERIE

La batterie au lithium-ion est munie d'un indicateur de niveau de charge à DEL. Pour vérifier le niveau de charge du bloc de batterie, appuyez sur le bouton d'indication qui se trouve sur sa face avant (Fig. 19).

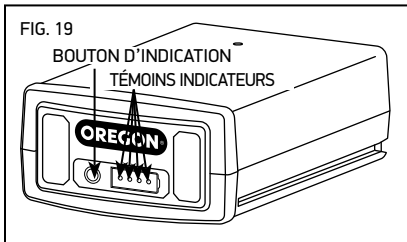
Aucun témoin allumé : rechargez.

Un témoin vert fixe :
moins de 25 % chargé.
Rechargez le bloc de batterie avant de l'utiliser.

Deux témoins verts fixes :
26 à 50 % chargé.

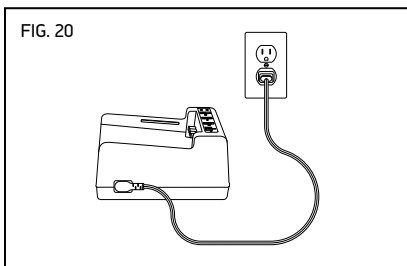
Trois témoins verts fixes :
51 à 75 % chargé.

Quatre témoins verts fixes :
76 à 100 % chargé.



BRANCHEMENT DU CHARGEUR

Si le chargeur comprend un cordon d'alimentation séparé, branchez le cordon du chargeur au chargeur et à la prise de courant appropriée (Fig. 20).

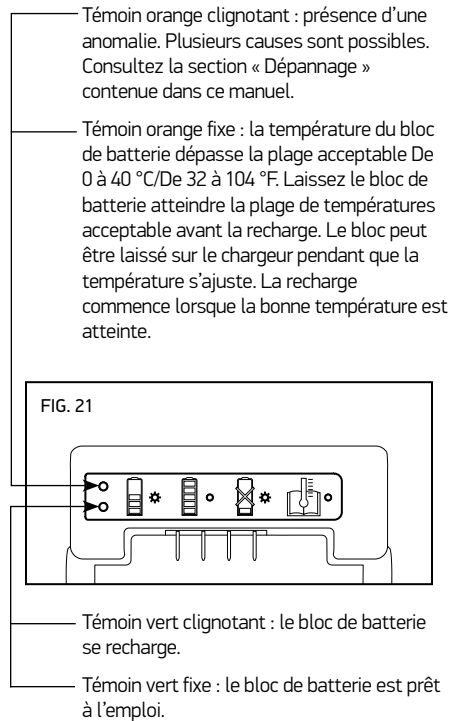


Utilisez uniquement le cordon amovible fourni avec le chargeur. Lors de la première utilisation, vérifiez que le type de fiche correspond à la prise de courant.

INDICATEUR DEL DE L'ÉTAT DE CHARGE DU CHARGEUR

Le chargeur de batterie est équipé d'un indicateur d'état de charge à DEL qui indique l'état de la charge ainsi que les conditions pouvant retarder ou empêcher la recharge (Fig. 21).

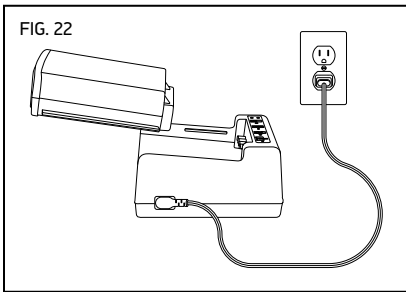
Remarque : aucun témoin ne sera visible tant qu'un bloc de batterie ne sera pas inséré.



RECHARGE DU BLOC DE BATTERIE

⚠ AVERTISSEMENT : Le non-respect des procédures de recharge correctes peut entraîner une intensité de courant et une tension excessives, une perte de contrôle pendant la recharge, une fuite de produits chimiques dangereux, une génération de chaleur, un éclatement ou un incendie. Suivez ces instructions de recharge.

Avec le cordon du chargeur connecté au chargeur et branché dans une prise électrique, alignez les rainures de la batterie avec les rails situés sur le chargeur et faites glisser le bloc de batterie sur le chargeur jusqu'à ce qu'il soit complètement installé (Fig. 22).

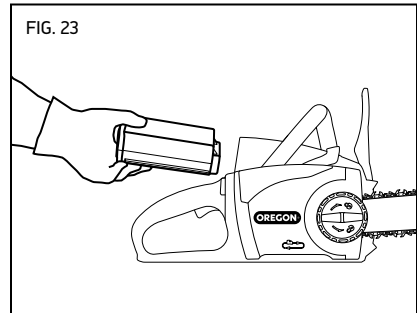


Vérifiez l'indicateur d'état de charge pour connaître les conditions de charge.

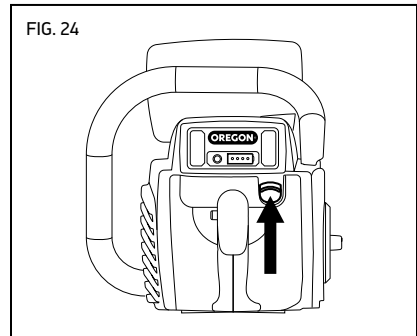
INSERTION ET LIBÉRATION DU BLOC DE BATTERIE

N'utilisez que les blocs de batterie de la marque Oregon^{MD} spécifiés dans ce mode d'emploi.

Alignez la rainure de la batterie avec les rails situés à l'intérieur du port de batterie. Insérez fermement le bloc de batterie dans le port de batterie de la tronçonneuse, en appuyant vers l'avant jusqu'à entente du déclic produit lorsqu'il s'enclenche (Fig. 23).



Pour retirer le bloc de batterie, soulevez le levier de dégagement de la batterie puis retirez-la (Fig. 24).



Fonctionnement général



⚠ DANGER : Afin d'éviter les blessures graves, n'essayez pas d'atteindre des zones hors de portée ou de monter sur une échelle, un escabeau ou toute position élevée qui n'est pas totalement sécurisée. Ne découpez jamais à une hauteur qui dépasse votre épaule.

⚠ AVERTISSEMENT : Afin de réduire le risque de blessure, portez toujours des bottes, des gants et des protections oculaires, auditives et pour la tête.

TEMPÉRATURE DE FONCTIONNEMENT

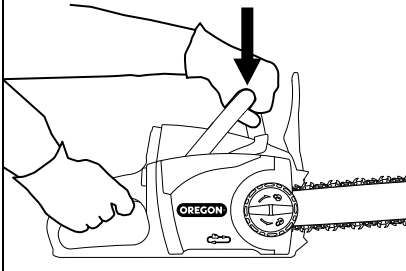
Cette tronçonneuse est conçue pour fonctionner à une température comprise entre 0 °C et 40 °C (32 °F et 104 °F).

PRISE EN MAIN

Saisissez toujours l'outil à deux mains. Tenez la poignée avant avec la main gauche, et la poignée arrière avec la main droite (Fig. 25). Vos doigts doivent s'enrouler autour de la poignée, avec le pouce sous la poignée.

FIG. 25

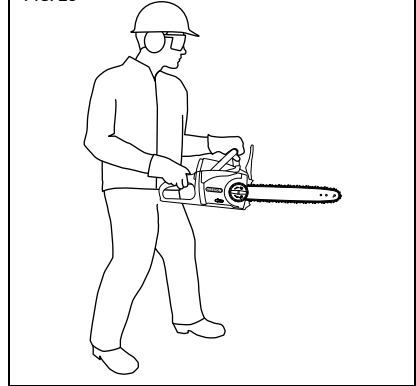
SAISIR AVEC LE POUCE
SOUS LA POIGNÉE



POSITION STABLE

Tenez-vous sur vos deux pieds sur une surface ferme, en répartissant équitablement le poids sur ceux-ci (Fig. 26).

FIG. 26



ARRÊT DE LA TRONÇONNEUSE

Relâchez l'interrupteur de la gâchette pour arrêter la tronçonneuse.

DÉMARRAGE DE LA TRONÇONNEUSE

⚠ AVERTISSEMENT : Pour réduire les risques de blessure, ne faussez jamais le verrouillage en collant, en câblant ou en attachant le verrouillage de gâchette.

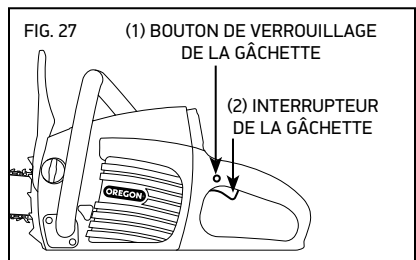
Assurez-vous que le frein de la chaîne n'est pas engagé.

Saisissez fermement les poignées avant et arrière. Appuyez et maintenez enfoncé le bouton de verrouillage de la gâchette avec le pouce (1). Pour démarrer la tronçonneuse, appuyez sur l'interrupteur de la gâchette (2) (Fig. 27). Il n'est pas nécessaire de continuer à appuyer sur le bouton de verrouillage de la gâchette. Il restera désengagé jusqu'à ce que la gâchette soit relâchée.

FIG. 27

(1) BOUTON DE VERROUILLAGE
DE LA GÂCHETTE

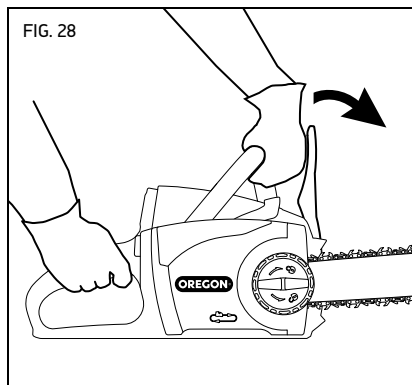
(2) INTERRUPTEUR
DE LA GÂCHETTE



TEST DU FREIN DE LA CHAÎNE

Assurez-vous que le frein de la chaîne fonctionne avant d'utiliser la tronçonneuse. Pour vérifier le fonctionnement du frein :

- Placez la tronçonneuse sur une surface plate solide.
- Mettez-la brièvement en marche.
- Gardez la main gauche sur la poignée avant et roulez le poignet gauche pour déplacer le protège-main avant vers l'avant et activer manuellement le frein de la chaîne (Fig. 28).



- Relâchez l'interrupteur de la gâchette.

Si le frein de la chaîne fonctionne correctement, le moteur et la chaîne de la tronçonneuse s'arrêtent immédiatement. Si le moteur et la chaîne de la tronçonneuse ne s'arrêtent pas immédiatement, faites vérifier le frein de la chaîne par un réparateur agréé.

- Remettez le protège-main avant en position de fonctionnement.

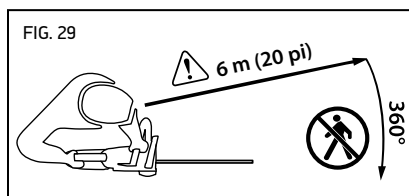
Découpage

⚠ AVERTISSEMENT : Afin de réduire le risque de blessure, portez des bottes, des pantalons, des gants et des protections oculaires, auditives et pour la tête.

⚠ AVERTISSEMENT : Pour réduire le risque de blessure, assurez-vous d'être toujours stable et de tenir fermement la tronçonneuse avec les deux mains lorsque le moteur tourne.

⚠ AVERTISSEMENT : Pour réduire le risque de blessure, planifiez à l'avance et prévoyez plusieurs voies d'évacuation avant de procéder au travail.

⚠ ATTENTION : Établissez un périmètre de sécurité des observateurs de 6 m (20 pi) avant d'utiliser cet équipement. La zone de sécurité des observateurs est un périmètre de 6 m (20 pi) autour de l'opérateur, dans lequel aucun observateur adulte, enfant, ni animal ne doit se trouver (Fig. 29). Les opérations d'abattage nécessitent une zone de sécurité plus grande selon la dimension de l'arbre ; consultez la section « Abattage d'un arbre ».



IMPORTANT : Exercez-vous à couper des bûches sur un chevalet de sciage afin de vous familiariser avec le fonctionnement de la tronçonneuse.

Pour obtenir la meilleure performance et faire fonctionner la tronçonneuse en toute sécurité, suivez les instructions suivantes :

- Observez toutes les règles et réglementations municipales et nationales relatives à la coupe.
- Faites régulièrement des pauses pour réduire les risques de blessure.
- Avant de commencer à couper, assurez-vous que la chaîne de la tronçonneuse est correctement tendue et que la chaîne est affûtée.

Les chaînes de tronçonneuse sont conçues pour couper du bois uniquement. N'utilisez pas la tronçonneuse pour couper d'autres matériaux et ne laissez pas la chaîne entrer en contact avec des saletés, des pierres, des clous, des agrafes ou des câbles. Ces matériaux sont extrêmement abrasifs et useront le placage de protection de la chaîne très rapidement.

Affûtez ou remplacez la chaîne de la tronçonneuse dans les cas suivants :

- La pression requise pour effectuer des coupes augmente de façon notable.
- Les copeaux de bois évacués par la chaîne sont très fins, voire en poussière.

Ne travaillez pas avec une chaîne émoussée, car l'effort de coupe sera accru, les découpes deviendront irrégulières, l'usure de la tronçonneuse sera plus rapide et il y aura un risque accru d'effet de rebond. Ne forcez jamais sur une chaîne émoussée.

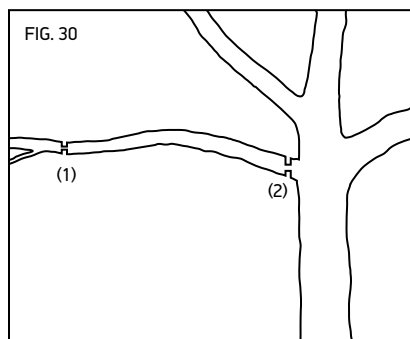
- Vérifiez la bonne adhérence de la poignée et tenez-vous face au bois à couper, tronçonneuse hors tension. Appuyez sur le bouton de verrouillage de la gâchette, puis sur l'interrupteur. Attendez que la chaîne ait atteint sa vitesse maximale avant de commencer la coupe.
- Commencez la coupe en pressant légèrement le guide-chaîne contre le bois. N'appuyez que légèrement et laissez la tronçonneuse faire son travail.
- Conservez une vitesse constante durant toute la coupe, en relâchant la pression juste avant la fin de la coupe.
- Sachez où se trouve la pointe du guide-chaîne en tout temps et évitez le contact avec d'autres objets.
- Si la tronçonneuse s'arrête soudainement pendant la coupe, enlevez-la de la coupe et reprenez en n'appuyant que légèrement sur la pièce à travailler.

ÉLAGAGE

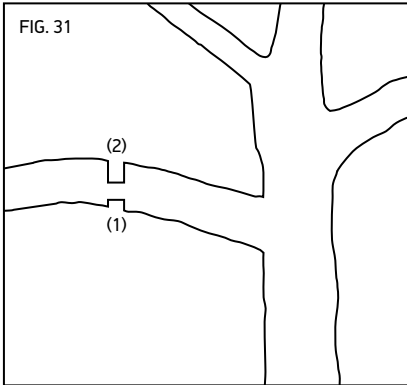
⚠ ATTENTION : Les branches qui tombent peuvent rebondir ou « revenir en arrière subitement » lorsqu'elles touchent le sol, c'est pourquoi il est essentiel de conserver un sol propre afin d'assurer plusieurs voies de retrait. Nettoyez la zone de travail et portez une protection pour la tête.

L'élagage est l'enlèvement de branches mortes ou envahissantes pour assurer la santé des végétaux.

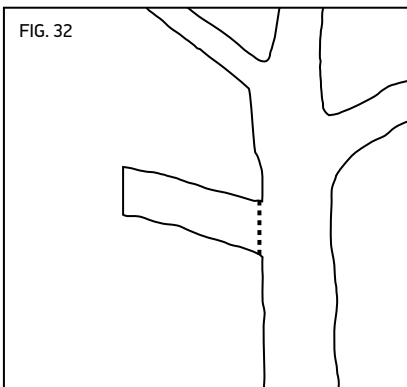
- Prévoyez des voies de retrait avant de commencer la coupe et assurez-vous qu'il n'y ait pas d'obstacles. Sachez toujours comment quitter la zone où les branches tombent.
- Veillez à ce que les observateurs ou les aides se trouvent à une distance sûre des branches qui tombent. Les observateurs ou les aides ne doivent pas se tenir directement devant ou derrière l'opérateur. Voir la Fig. 28.
- Gardez une position stable et tenez fermement la tronçonneuse à deux mains. Ne vous penchez pas trop en avant. Ne montez jamais dans un arbre ou sur une échelle pour atteindre des branches hautes.
- Sécurisez les branches pouvant être dangereuses.
- Utilisez un équipement auxiliaire approprié.
- Élaguez les branches du bas en premier.
- Attendez que la chaîne de la tronçonneuse atteigne sa pleine vitesse avant de commencer la coupe.
- Effectuez une légère pression sur la branche.
- Pour les longues branches (Fig. 30), coupez d'abord l'extrémité de la branche (1) pour en réduire la pression, puis élaguez en vous rapprochant du tronc (2).



- Les branches épaisses (supérieures à 10 cm [4 po]) de diamètre) peuvent se briser en éclat ou pincer la chaîne pendant une simple coupe depuis le dessus. Pour éviter les pincements ou les éclats, effectuez d'abord une coupe en relief peu profonde sur la partie inférieure de la branche (1), puis coupez l'ensemble de la branche depuis la partie supérieure (2) pour correspondre à la coupe inférieure (Fig. 31).

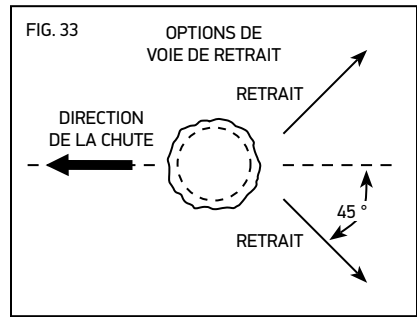


- Une fois qu'une grande partie de la branche est enlevée, procédez à une coupe régulière près du tronc (Fig. 32).



ABATTAGE D'UN ARBRE

⚠ ATTENTION : Un arbre risque de rouler ou de glisser une fois abattu. Prévoyez et dégagez une voie de retrait avant le début de l'abattage. La voie de retrait doit être augmentée à l'arrière et en diagonale vers l'avant de la ligne de chute prévue (Fig. 33).

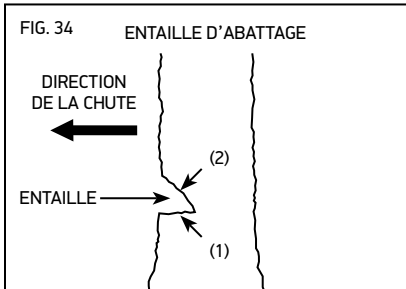


L'abattage est la coupe d'un arbre entier.

- Avant l'abattage, observez le penchant naturel de l'arbre, l'emplacement de grandes branches et la direction du vent pour évaluer la ligne de chute de l'arbre.
- Retirez la saleté, les pierres, les morceaux d'écorce détachés, les clous, les agrafes et les fils métalliques de l'arbre avant de débiter la coupe.
- Lorsque les opérations de tronçonnage et d'abattage sont exécutées par deux ou plusieurs personnes simultanément, le tronçonnage doit être effectué à une distance d'au moins deux fois la hauteur de l'arbre à tronçonner, par rapport à l'emplacement de l'abattage.
- Les arbres doivent être abattus en évitant de mettre la vie d'une personne en danger, de heurter des fils du réseau électrique ou de provoquer des dommages matériels. Si un arbre touche un fil du réseau public, l'entreprise du réseau public doit être avisée immédiatement.
- Utilisez des crampons en métal à l'avant de la tronçonneuse en guise de support sur le bois. Placez les griffes d'abattage en métal dans le bois et utilisez-les en tant que point de levier pour renforcer la stabilité lors de la coupe de bois avec un diamètre important.

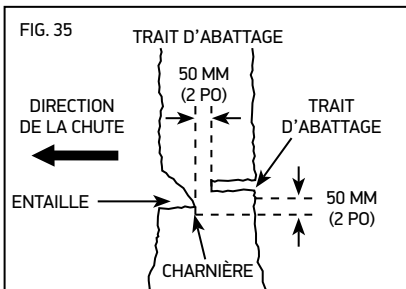
Entaille d'abattage

- Entaillez le tronç de 1/3 du diamètre de celui-ci, perpendiculaire à la direction de la chute. Réalisez d'abord l'entaille horizontale inférieure (1). Cela permettra d'éviter tout pincement de la chaîne de la tronçonneuse ou du guide-chaîne lorsque la seconde entaille (2) sera effectuée (Fig. 34).



Trait d'abattage

- Ensuite, effectuez le trait d'abattage au moins 50 mm (2 po) au-dessus de l'entaille horizontale (Fig. 35). Gardez le trait d'abattage parallèle à l'entaille d'abattage horizontale.



- Effectuez le trait d'abattage de sorte qu'il y ait assez de bois pour servir de charnière. Cette charnière naturelle empêche l'arbre de se tordre et de tomber dans la mauvaise direction. Ne la découpez pas de part en part.
- Dès que le trait d'abattage se rapproche de la charnière naturelle, l'arbre devrait amorcer sa chute.

- S'il y a un risque que l'arbre ne tombe pas dans la direction souhaitée ou s'il risque de rouler en arrière et coincer la tronçonneuse, arrêtez la coupe avant que le trait d'abattage ne soit complet et utilisez des coins en bois, plastique ou aluminium pour ouvrir la coupe et faire basculer l'arbre le long de la ligne de chute souhaitée.

- Lorsque l'arbre commence sa chute, retirez la tronçonneuse du trait, arrêtez le moteur et déposez-la sur le sol, puis reculez dans la voie de retrait prévue.

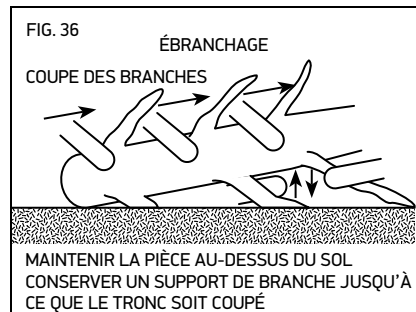
- Faites attention aux chutes de branches et regardez où vous marchez.

ÉBRANCHEMENT D'UN ARBRE

- ⚠ ATTENTION : Les branches sous tension peuvent « revenir en arrière subitement » et toucher l'opérateur ou lui faire perdre le contrôle de la tronçonneuse, entraînant alors des blessures.** Soyez toujours attentif aux branches sous tension qui pourraient frapper l'opérateur ou la tronçonneuse une fois coupées.

L'ébranchage est la coupe des branches d'un arbre abattu.

- Pour ce faire, conservez intactes les branches maîtresses inférieures pour maintenir le tronc au-dessus du sol.
- Retirez les petites branches d'un seul mouvement.
- Les branches sous tension doivent être coupées depuis le bas pour éviter le grippage de la tronçonneuse (Fig. 36).

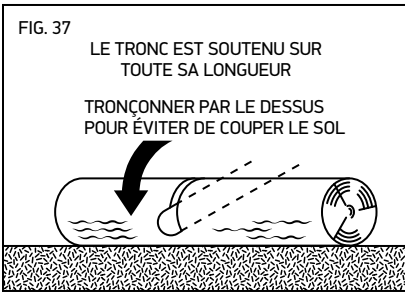


TRONÇONNER UN TRONC

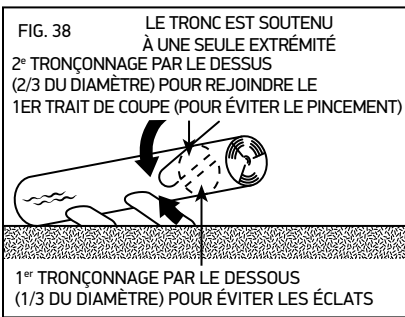
⚠ ATTENTION : Tronçer des troncs sous tension augmente le risque d'effet de rebond. Utilisez l'une des méthodes ci-dessous pour supporter le tronc lors du tronçonnage.

Le tronçonnage consiste à débiter un tronc en morceaux. Il est important de vous assurer un bon équilibre et de veiller à ce que votre poids soit également réparti sur vos deux pieds. Si possible, le tronc doit être surélevé et soutenu par des branches, des buches ou des cales.

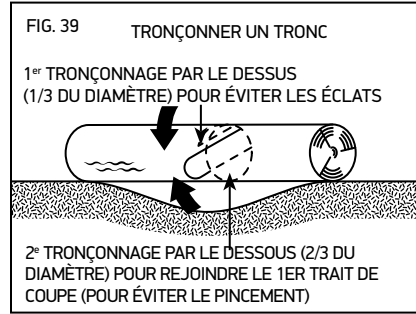
- Une fois le tronc soutenu sur toute sa longueur, coupez-le depuis le haut (tronçonnage par le dessus) (Fig. 37).



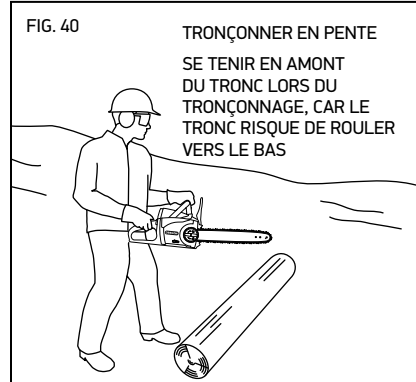
- Si le tronc n'est soutenu qu'à une extrémité, coupez 1/3 du diamètre à partir du dessous (tronçonnage par le dessous), puis terminez la coupe en tronçonnant par le dessus la première entaille (Fig. 38).



- Si le tronc est soutenu des deux extrémités, coupez 1/3 du diamètre depuis le haut (tronçonnage par le dessus), puis terminez la coupe en tronçonnant par le dessous les 2/3 inférieurs du tronc pour rejoindre la première entaille (Fig. 39).



- Si vous tronçonnez en pente, restez toujours en amont du tronc (Fig. 40).



- Pour conserver un parfait contrôle lors de la coupe, relâchez la pression vers la fin du tronçonnage, sans toutefois relâcher la prise sur les poignées de la tronçonneuse.
- Ne laissez pas la chaîne toucher le sol.
- Une fois la coupe terminée, attendez l'immobilisation complète de la chaîne avant de déplacer la tronçonneuse.
- Arrêtez toujours le moteur avant de vous déplacer vers un autre arbre.

Affûtage avec PowerSharp^{MD}

⚠ AVERTISSEMENT : Powersharp ne doit pas être utilisé en présence de matériaux extrêmement inflammables comme de l'essence ou de l'acétylène.

⚠ ATTENTION : L'affûtage avec le système Powersharp provoque de petites étincelles.

⚠ ATTENTION : Le système d'affûtage intégré Powersharp est réservé uniquement à la chaîne Powersharp. N'essayez jamais d'aiguiser une autre chaîne avec l'affûteur intégré. Cela pourrait endommager la chaîne et l'affûteur.

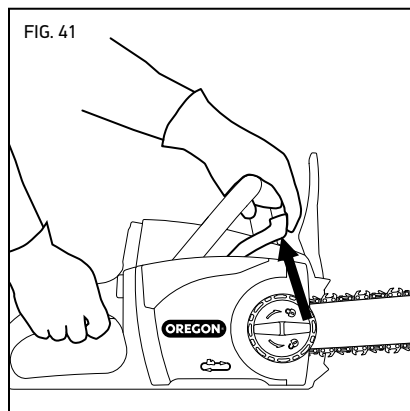
PRÉSENTATION DE POWERSHARP

Cette tronçonneuse est équipée du système d'affûtage intégré PowerSharp, qui permet d'affûter rapidement et facilement la chaîne de la tronçonneuse. Vous devez affûter la chaîne de la tronçonneuse lorsque la coupe prend plus de temps, ou quand les éclats de bois deviennent de la sciure.

AFFÛTER LA CHAÎNE

IMPORTANT : La chaîne PowerSharp utilise des gouges uniques très aiguisées et ne peut être affûtée qu'avec l'affûteur d'origine PowerSharp.

- Une fois que la tronçonneuse fonctionne à plein régime, soulevez légèrement le levier PowerSharp pendant 3 à 5 secondes (Fig. 41). Vous verrez des étincelles lorsque les gouges entrèrent en contact avec la pierre d'affûtage.



- Faites une coupe d'essai afin de déterminer si la chaîne a été suffisamment affûtée. Sinon, recommencez la procédure d'affûtage jusqu'à ce que la chaîne soit suffisamment affûtée.

IMPORTANT : N'exercez pas de pression trop forte lors de l'affûtage. Une force excessive peut réduire la performance de la pierre d'affûtage.

IMPORTANT : Il est normal de voir une petite quantité d'étincelles et de fumée durant la phase d'affûtage, étant donné que les gouges sont en contact avec la pierre et que la friction chauffe la chaîne.

QUAND REMPLACER LA PIERRE D'AFFÛTAGE

La pierre d'affûtage est censée s'user de la même façon que la chaîne. Remplacez toujours la pierre lorsque vous changez la chaîne, même si elle vous semble pouvoir durer plus longtemps. Consultez la section « Remplacement d'une chaîne usée et de la pierre d'affûtage » contenue dans ce manuel.

Entretien et nettoyage



⚠ AVERTISSEMENT : Le manquement à identifier et à remplacer les pièces endommagées ou usées peut causer des blessures graves. Inspectez régulièrement la tronçonneuse. Une inspection régulière est la première étape d'un entretien adéquat. Suivez les directives ci-dessous afin de maximiser la sécurité et la satisfaction. Faites remplacer immédiatement toutes les pièces endommagées ou excessivement usées.

⚠ AVERTISSEMENT : Un outil fonctionnant à batterie, avec le bloc de batterie inséré, est toujours sous tension et peut démarrer accidentellement. Retirez la batterie de la tronçonneuse avant d'inspecter, de nettoyer ou d'effectuer un entretien.

⚠ ATTENTION : Lorsque vous nettoyez la tronçonneuse, ne l'immergez pas dans l'eau ou dans d'autres liquides.

Inspection

Avant chaque utilisation et si la tronçonneuse est tombée, inspectez les pièces suivantes :

- Poignées : les poignées avant et arrière ne doivent pas comporter de craquelure ni tout autre défaut. Elles doivent être propres et sèches.
- Protège-main avant : le protège-main avant ne doit pas être endommagé et doit pouvoir facilement être déplacé vers l'avant et l'arrière. Lorsqu'il est déplacé, le protège-main avant devrait activer le frein de la chaîne.
- Guide-chaîne : le guide-chaîne doit être droit et ne pas être ébréché, craquelé, ni excessivement usé.
- Chaîne de la tronçonneuse : la chaîne doit être correctement tendue, et aucun composant ne doit être craquelé, ébréché ou excessivement usé. Consultez la section « Mise en tension de la chaîne de la tronçonneuse » et « Affûtage avec PowerSharp^{MD} ».

- Panneau latéral : le panneau latéral ne doit pas comporter de craquelure ni tout autre défaut. Il doit s'ajuster correctement au corps de la tronçonneuse, sans aucune torsion. Assurez-vous que l'attrape-chaîne ne comporte aucune craquelure.
- Bloc de batterie : le bloc de batterie doit être propre et sec et ne présenter aucun signe de perforation, d'impact ou d'autres dommages. Les contacts doivent être dégagés, secs et exempts de débris.
- Borne de batterie : le port et les contacts de la batterie doivent être dégagés, secs et exempts de débris.
- Frein de la chaîne : testez le frein de la chaîne afin de vous assurer qu'il fonctionne correctement. Consultez la section « Test du frein de la chaîne » sous « Fonctionnement général ».
- Niveau d'huile : assurez-vous que le réservoir d'huile est plein avant toute utilisation. Consultez la section « Remplissage du réservoir d'huile du guide et de la chaîne ».
- Burette à huile automatique : lorsque la tronçonneuse fonctionne sans guide-chaîne et chaîne fixés, une petite quantité d'huile devrait commencer à couler par le trou de la plaque du coussinet. Consultez la section « Amorçage du huileur ».
- Couvercle du moteur : vérifiez qu'il n'y a aucune craquelure sur le capot et aucun débris dans les grilles d'aération.

Inspectez périodiquement les pièces suivantes :

- Pignon d'entraînement : vérifiez qu'il ne comporte ni rainures profondes ni dents cassées ni bavures.
- Engrenage de tension de la chaîne : inspectez l'engrenage pour des craquelures, éclats, vis desserrées, torsions éventuels, et tout autre dommage.
- Logement pour le goujon de montage au-dessous du panneau latéral : assurez-vous que le goujon de montage n'est pas tordu, dénudé, que le filetage n'est pas faussé et que la plaque du coussinet et le collet d'alignement sont intacts et ne sont pas obstrués par des débris.
- Chargeur : le chargeur doit être propre et sec et ne présenter aucun signe de perforation ou d'autres dommages. Le plateau et les contacts de la batterie doivent être dégagés, secs et exempts de débris.

Mise en tension de la chaîne de la tronçonneuse

IMPORTANT : Tendez la chaîne uniquement lorsque celle-ci est refroidie. Une chaîne chaude peut faire se contracter et endommager le guide-chaîne ou la chaîne pendant le refroidissement.

Si la chaîne ne touche pas le dessous du guide-chaîne lorsque la tronçonneuse est arrêtée et refroidie, elle devrait être tendue.

Tendez la chaîne tel que décrit dans « Mise en tension de la chaîne » dans la section « Déballage et montage » contenue dans ce manuel.

Remplacement d'une chaîne usée et de la pierre d'affûtage

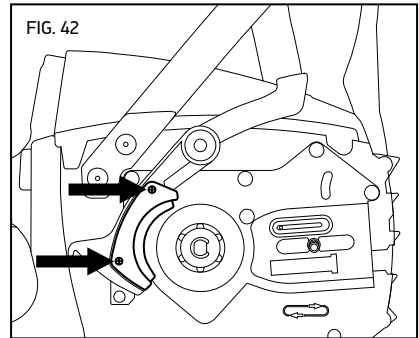
⚠ ATTENTION : Remplacez la chaîne de la tronçonneuse PowerSharp^{MD} et la pierre d'affûtage en même temps. Ne pas respecter cette consigne peut diminuer la performance et/ou endommager la chaîne ou la pierre d'affûtage.

⚠ ATTENTION : Le système d'affûtage intégré PowerSharp est réservé uniquement à la chaîne PowerSharp. Enlevez la pierre d'affûtage lors de l'utilisation d'une chaîne autre qu'une chaîne PowerSharp. Ne pas respecter cette consigne peut endommager la chaîne, le système d'affûtage et/ou la tronçonneuse.

Lorsque la chaîne de la tronçonneuse est fissurée ou a des dents cassées, est étirée au point où de ne plus pouvoir être correctement tendue ou s'il est impossible de l'affûter, il faut la remplacer.

Portez des gants.

- Retirez la batterie.
- Desserrez légèrement le bouton de relâchement du panneau latéral, mais n'enlevez pas le panneau.
- Desserrez complètement l'anneau de tension de la chaîne (tournez dans le sens inverse des aiguilles d'une montre).
- Desserrez le bouton de relâchement du panneau latéral et enlevez-le.
- Enlevez la chaîne de la tronçonneuse.
- Enlevez les deux vis qui maintiennent la pierre à affûter (Fig. 42).



- Enlevez la pierre.
- Assurez-vous que le levier PowerSharp et la zone qui l'entoure ne sont pas encombrés de débris.
- Placez la nouvelle pierre sur le levier et remplacez les vis.
- Remplacez le guide-chaîne et la chaîne. Voir la section « Assemblage du guide-chaîne et de la chaîne de la tronçonneuse » contenue dans ce manuel.
- Tendez la chaîne tel que décrit dans « Mise en tension de la chaîne » dans la section « Déballage et montage » contenue dans ce manuel.

IMPORTANT : La chaîne de la tronçonneuse doit être correctement tendue avant toute utilisation. Consultez la section « Mise en tension de la chaîne » contenue dans ce manuel.

Entretien du guide-chaîne

⚠ AVERTISSEMENT : Les bords d'un guide-chaîne usé, particulièrement les bords de la rainure où la chaîne touche le guide, peuvent être extrêmement tranchants. Portez une protection appropriée pour les mains.

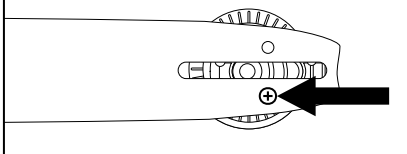
⚠ ATTENTION : Le guide-chaîne peut être chaud après la coupe. Portez des gants pour éviter les brûlures.

Afin de réduire l'usure du guide et augmenter sa durée de vie, pensez à l'inverser de temps en temps.

Portez des gants.

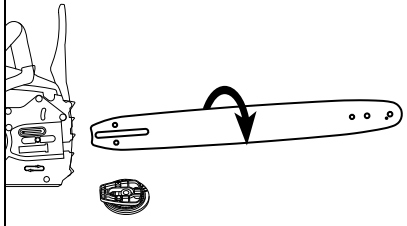
- Retirez la batterie.
- Desserrez légèrement le bouton de relâchement du panneau latéral mais n'enlevez pas le panneau.
- Desserrez complètement l'anneau de tension de la chaîne (tournez dans le sens inverse des aiguilles d'une montre).
- Desserrez le bouton de relâchement du panneau latéral et enlevez-le.
- Enlevez le guide et la chaîne et inspectez-les pour d'éventuels dommages et signes d'usure.
- Retirez la vis de l'arrière de l'engrenage de tension de la chaîne et enlevez l'engrenage de tension de la chaîne du guide-chaîne (Fig. 43).

FIG. 43



- Inversez le guide-chaîne (Fig. 44).

FIG. 44



- Remplacez le guide-chaîne et la chaîne. Consultez la section « Assemblage du guide-chaîne et de la chaîne de la tronçonneuse » contenue dans ce manuel.
- Tendez la chaîne tel que décrit dans « Mise en tension de la chaîne » dans la section « Déballage et montage » contenue dans ce manuel.

Remplacement d'un guide-chaîne usé

⚠ AVERTISSEMENT : Les bords d'un guide-chaîne usé, particulièrement les bords de la rainure où la chaîne touche le guide, peuvent être extrêmement tranchants. Portez une protection appropriée pour les mains.

Lorsque le guide-chaîne est fissuré ou qu'il présente une usure excessive autour des bords, particulièrement dans la rainure où la chaîne de la tronçonneuse touche le guide, il faut le remplacer. De plus, si le pignon de renvoi est usé, a des dents manquantes ou ne tourne pas bien, il faut remplacer le guide.

Portez des gants.

- Retirez la batterie.
- Desserrez légèrement le bouton de relâchement du panneau latéral, mais n'enlevez pas le panneau.
- Desserrez complètement l'anneau de tension de la chaîne (tournez dans le sens inverse des aiguilles d'une montre).
- Desserrez le bouton de relâchement du panneau latéral et enlevez-le.
- Enlevez le guide-chaîne et la chaîne.
- Retirez la vis de l'arrière de l'engrenage de tension de la chaîne et enlevez l'engrenage de tension de la chaîne du guide-chaîne tel que décrit dans « Entretien du guide-chaîne ».
- Placez l'engrenage de tension de la chaîne sur le nouveau guide-chaîne et remplacez la vis.
- Remplacez le guide-chaîne et la chaîne. Consultez la section « Assemblage du guide-chaîne et de la chaîne de la tronçonneuse » contenue dans ce manuel.
- Tendez la chaîne tel que décrit dans « Mise en tension de la chaîne » dans la section « Déballage et montage » contenue dans ce manuel.

Remplacement d'un engrenage de tension de chaîne usé

Remplacez l'engrenage de tension de la chaîne si celui-ci ne tient pas le guide et la chaîne à une tension appropriée ou s'il est endommagé de quelque autre façon.

Portez des gants.

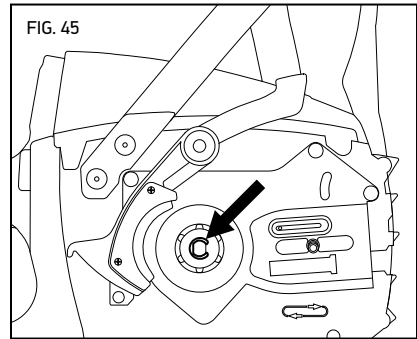
- Retirez la batterie.
- Desserrez légèrement le bouton de relâchement du panneau latéral, mais n'enlevez pas le panneau.
- Desserrez complètement l'anneau de tension de la chaîne (tournez dans le sens inverse des aiguilles d'une montre).
- Desserrez le bouton de relâchement du panneau latéral et enlevez-le.
- Enlevez le guide-chaîne et la chaîne.
- Retirez la vis de l'arrière de l'engrenage de tension de la chaîne et enlevez cet engrenage du guide-chaîne.
- Placez le nouvel engrenage de tension de la chaîne sur le côté du guide-chaîne face à vous et replacez la vis.
- Remplacez le guide-chaîne et la chaîne. Consultez la section « Assemblage du guide-chaîne et de la chaîne de la tronçonneuse » contenue dans ce manuel.
- Tendez la chaîne tel que décrit dans « Mise en tension de la chaîne » dans la section « Déballage et montage » contenue dans ce manuel.

Remplacement du pignon d'entraînement

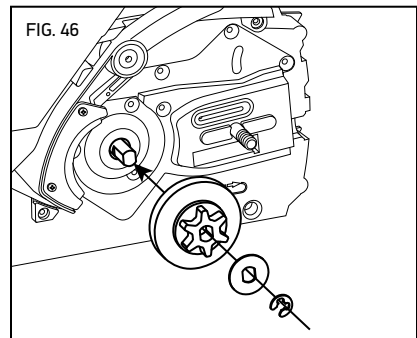
Remplacez le pignon d'entraînement chaque fois que la chaîne de la tronçonneuse a été remplacée deux fois ou lorsque le pignon est endommagé.

Portez des lunettes de protection et des gants.

- Retirez la batterie.
- Desserrez légèrement le bouton de relâchement du panneau latéral, mais n'enlevez pas le panneau.
- Desserrez complètement l'anneau de tension de la chaîne (tournez dans le sens inverse des aiguilles d'une montre).
- Desserrez le bouton de relâchement du panneau latéral et enlevez-le.
- Enlevez le guide-chaîne et la chaîne.
- Utilisez un petit tournevis plat pour ouvrir et enlever l'attache en E et enlever le pignon d'entraînement et la rondelle (Fig. 45).



- Insérez la nouvelle rondelle et le nouveau pignon d'entraînement, puis installez la nouvelle attache en E (Fig. 46).



- Remplacez le guide-chaîne et la chaîne. Consultez la section « Assemblage du guide-chaîne et de la chaîne de la tronçonneuse » contenue dans ce manuel.
- Tendez la chaîne tel que décrit dans « Mise en tension de la chaîne » dans la section « Déballage et montage » contenue dans ce manuel.

Nettoyage

⚠ AVERTISSEMENT : Retirez le bloc de batterie avant de nettoyer, afin de réduire les risques de blessure.

⚠ ATTENTION : Lorsque vous nettoyez le bloc moteur de la tronçonneuse, ne l'immergez pas dans l'eau ou dans d'autres liquides.

Portez des lunettes de protection et des gants.

- Retirez la batterie.
- Enlevez les copeaux de bois et autres débris du port de la batterie. Assurez-vous que les contacts sont propres et secs.
- Après l'utilisation, nettoyez les débris du guide-chaîne et de la chaîne. Essuyez la tête motrice avec un chiffon propre imbibé d'eau et de savon doux. N'utilisez jamais de produits nettoyants abrasifs ni de solvants.
- Nettoyez toujours les copeaux de bois, la sciure et la saleté se trouvant dans la rainure du guide lorsque vous remplacez la chaîne.
- Assurez-vous que l'engrenage de tension de la chaîne est exempt de sciure de bois et autres débris.

Bloc de batterie

IMPORTANT : La batterie ne contient aucune pièce pouvant être réparée par l'utilisateur. Ne pas le démonter.

Les piles au lithium-ion ont une durée de fonctionnement prédéterminée. Si le temps de coupe par recharge diminue de façon marquée, le bloc de batterie est à la fin de sa vie utile et doit être remplacé.

- Assurez-vous que le bloc de batterie, y compris les contacts, est propre et sec et ne présente aucun signe de perforation, d'impact ou d'autres dommages. Les batteries endommagées peuvent causer des incendies ou émettre des produits chimiques dangereux.
- Nettoyez les contacts sales avec un chiffon doux et sec. La saleté ou l'huile peut provoquer une mauvaise connexion électrique entraînant une perte de puissance.

Chargeur

- Débranchez le chargeur de la prise électrique.
- Nettoyez les contacts sales avec un chiffon doux et sec.

Renseignements supplémentaires relatifs à l'entretien

Pour obtenir de plus amples renseignements sur l'entretien de la chaîne de la tronçonneuse, du guide-chaîne et du pignon d'entraînement, consultez le Manuel d'entretien et de sécurité d'Oregon^{MD} à l'adresse <http://oregonproducts.com/maintenance/manual.htm>.

Dépannage

Utilisez le tableau suivant pour obtenir des solutions possibles en cas de problème avec la tronçonneuse. Si ces suggestions ne résolvent pas le problème, consultez la section « Garantie et service ».

| SYMPTÔME | CAUSE POSSIBLE | ACTIONS RECOMMANDÉES |
|---|---|---|
| Le moteur ne fonctionne pas ou fonctionne par intermittence | Frein de la chaîne engagé | Avant de démarrer la tronçonneuse, veillez à ce que le pare-main soit dans la position la plus reculée (frein de la chaîne dégage). Pour connaître la bonne position du pare-main, consultez la section « Démarrage de la tronçonneuse » contenue dans ce manuel. |
| | Batterie déchargée | Rechargez la batterie. Consultez la section « Recharge du bloc de batterie » contenue dans ce manuel. |
| | Verrouillage du déclencheur non actionné | Le bouton de verrouillage de la gâchette doit être enfoncé. Consultez la section « Démarrage de la tronçonneuse » contenue dans ce manuel. |
| | Bloc de batterie pas complètement inséré | Nettoyez les débris du port et des bornes de la batterie avec un chiffon propre et sec ou une brosse non-conductrice. |
| | Présence de débris dans le panneau latéral | Retirez le bloc de batterie, puis retirez le panneau latéral et nettoyez les débris. |
| | Bloc de batterie froid | Laissez la batterie se réchauffer à la température minimale de fonctionnement de 0 °C (32 °F). |
| Le moteur fonctionne, mais la chaîne ne tourne pas | Chaîne qui ne s'engage pas dans le pignon d'entraînement | Remettez la chaîne en place en vérifiant que les maillons d'entraînement sur la chaîne sont correctement placés sur le pignon. Consultez la section « Entretien et nettoyage » contenue dans ce manuel pour connaître les instructions d'installation. |
| | Le pignon de renvoi du guide-chaîne ne tourne pas | Remplacez le guide-chaîne. Consultez la section « Remplacement d'un guide-chaîne usé » contenue dans ce manuel. |
| Frein de la chaîne non engagé | Débris qui bloquent l'amplitude de mouvement du pare-main | Nettoyez les débris du mécanisme externe de freinage de la chaîne. |
| | Mauvais fonctionnement possible du frein de la chaîne | Contactez immédiatement un réparateur agréé. ⚠ AVERTISSEMENT : FAIRE FONCTIONNER UNE TRONÇONNEUSE SANS FREIN DE CHAÎNE OPÉRATIONNEL PEUT ENTRAÎNER DE GRAVES BLESSURES CORPORELLES. |
| La tronçonneuse ne coupe pas bien | Tension de la chaîne insuffisante | Consultez la section « Mise en tension de la chaîne » contenue dans ce manuel. |
| | Chaîne émoussée | Consultez la section « Affûtage avec PowerSharp ^{MD} » contenue dans ce manuel. |
| | Chaîne montée à l'envers | Consultez la section « Assemblage du guide-chaîne et de la chaîne de la tronçonneuse » contenue dans ce manuel. |
| | Chaîne usée | Remplacez la chaîne et la pierre. Elles sont conçues pour s'user en même temps. |
| | Chaîne trop sèche ou trop tendue | Vérifiez le niveau d'huile. Remplissez le réservoir si nécessaire. Consultez la section « Remplissage du réservoir d'huile du guide et de la chaîne » contenue dans ce manuel. Vérifiez que le système d'huile n'est pas obstrué. Une petite quantité d'huile doit être acheminée au guide. |
| | Chaîne sortie de la rainure du guide | Consultez la section « Assemblage du guide-chaîne et de la chaîne de la tronçonneuse » contenue dans ce manuel. |

| SYMPTÔME | CAUSE POSSIBLE | ACTIONS RECOMMANDÉES |
|---|--|--|
| Bip d'alarme stable lorsque la gâchette est tirée | Une utilisation trop rigoureuse a fait surchauffer le moteur | Laisser la tronçonneuse refroidir, puis reprendre la coupe. |
| | Le frein de la chaîne est engagé | Avant de démarrer la tronçonneuse, veillez à ce que le pare-main soit dans la position la plus reculée (frein de la chaîne dégage). Pour connaître la bonne position du pare-main, consultez la section « Démarrage de la tronçonneuse » contenue dans ce manuel. |
| Le bloc de batterie ne se charge pas | La protection du bloc de batterie contre les températures élevées/faibles est activée | Cela peut se produire lorsque la tronçonneuse est utilisée de manière continue ou exposée à des températures ambiantes élevées. Laissez le bloc de batterie atteindre une température acceptable avant la recharge. Consultez la section « Recharge du bloc de batterie » contenue dans ce manuel. |
| | Contacts sales ou endommagés sur le bloc de batterie ou le chargeur | Inspectez les contacts sur le bloc de batterie et sur le chargeur. Au besoin, nettoyez-les conformément aux instructions de ce manuel. Réinsérez le bloc de batterie dans le chargeur, en veillant à ce qu'il soit bien installé. |
| | Le bloc de batterie est à la fin de sa vie utile | Toutes les batteries ont une durée limitée. Si le bloc de batterie a plus de deux ans ou a été rechargé fréquemment, il est peut-être temps de le remplacer. Remplacez uniquement avec le bloc de batterie spécifié pour cette tronçonneuse. |
| | Chargeur défectueux | Faites vérifier son fonctionnement auprès d'un centre de service agréé. |
| Faible temps de coupe par recharge de batterie | Chaîne émoussée | Consultez la section « Affûtage avec PowerSharp ^{MD} » contenue dans ce manuel. |
| | Chaîne usée | Remplacez la chaîne. Consultez la section « Remplacement d'une chaîne usée et de la pierre d'affûtage » contenue dans ce manuel. |
| | Chaîne sèche | Vérifiez le niveau d'huile. Remplissez le réservoir si nécessaire. Consultez la section « Remplissage du réservoir d'huile du guide et de la chaîne » contenue dans ce manuel. |
| | Chaîne trop tendue | Consultez la section « Mise en tension de la chaîne » dans ce manuel. |
| | Technique de coupe incorrecte | Suivre les directives de la section « Coupe » contenue dans ce manuel. |
| | Présence de débris dans le panneau latéral | Retirez le bloc de batterie, puis retirez le panneau latéral et nettoyez les débris. |
| | Bloc de batterie pas complètement chargé | Rechargez la batterie. Consultez la section « Recharge du bloc de batterie » contenue dans ce manuel. |
| Lumière orange clignotant sur l'indicateur d'état de charge | <ol style="list-style-type: none"> 1. Assurez-vous que le cordon du chargeur est raccordé au chargeur et à la prise de courant. 2. Assurez-vous que le chargeur reçoit la tension correcte. 3. Essayez de charger un autre bloc de batterie conçu pour ce chargeur. <p>Si cela ne résout pas le problème, faites vérifier son fonctionnement auprès d'un centre de service agréé.</p> | |

Caractéristiques et composants

⚠ AVERTISSEMENT : L'utilisation de pièces de rechange autres que celles indiquées dans le présent manuel augmente le risque de blessure. N'utilisez jamais des accessoires de coupe autres que ceux décrits dans le présent manuel.

| COMPOSANTS DE RECHANGE | | NUMÉRO DE PIÈCE |
|--|---|--|
| Guide-chaîne | 35 cm (14 po) | 140SDEA041 |
| | 40 cm (16 po) | 160SDEA041 |
| Chaîne de tronçonneuse et pierre, PowerSharp ^{MD} | 35 cm (14 po) enchaînement de chaîne 52 | 560507 |
| | 40 cm (16 po) enchaînement de chaîne 56 | 560510 |
| Bloc de batterie, modèle B4250E | | 585527 |
| Bloc de batterie, modèle B600E | | 548208 |
| Bloc de batterie, modèle B650E | | 583684 |
| Chargeur avec cordon, modèle C650 | | 594076 |
| Chargeur avec cordon, modèle C750 | | 548185 |
| CHARGEUR | MODÈLE C650 | MODÈLE C750 |
| Entrée | 100-240 V~ 50-60 Hz 60 W | 100-240 V~ 50-60 Hz 260 W |
| Entrée (États-Unis et Canada uniquement) | 120 V~ 60 Hz 60 W | 120 V~ 60 Hz 260 W |
| Sortie | 41,5 V --- 1,8 A | 41 V --- 4,0 A |
| Cordon d'alimentation | Réf. US/CAN: 546636 Réf. EU: 547383 Réf. UK: 547384 AU/NZ: 560663 | Réf. US/CAN: 585068 Réf. EU: 585069 Réf. UK: 585070 AU/NZ: 585073 |
| BLOC DE BATTERIE | | |
| Type | Lithium Ion | |
| Température de fonctionnement | De 0 à 40 °C (De 32 à 104 °F) | |
| Modèle | Capacité nominale | Tension nominale |
| B425E | 2,6 Ah / 94 Wh | +36 VDC |
| B600E | 4,0 Ah / 144 Wh | +37 VDC |
| B650E | 6,0 Ah / 216 Wh | +37 VDC |
| TRONÇONNEUSE | | |
| Contenance d'huile | 120 ml (4,1 oz) | |
| Huile pour chaîne et guide | Marque Oregon ^{MD} | |
| Poids à sec avec B400E | 5,9 kg (12,9 lb) | |
| Poids à sec sans batterie, guide et chaîne | 3,8 kg (8,3 lb) | |
| Niveau de puissance acoustique | 100 dB (K = 2,5 dB) | |
| Vibration | 0,794 m/s ² (poignée avant) 1,891 m/s ² (poignée arrière) | |
| Longueur max. du guide | 40 cm (16 po) | |
| Pas de chaîne | Profil surbaissé 9,7 mm (3/8 po) - 91 | |
| Calibre de chaîne | 1,3 mm (0,05 po) | |
| Dents du pignon | 6 | |
| Vitesse de la chaîne hors charge | 14,2 m/s (46,6 pi/s) | |

Garantie et service

Garantie

Blount, Inc. garantit tous les chargeurs et outils sans fil Oregon^{MD} enregistrés pour une période de trois (3) ans et tous les blocs de batterie sans fil Oregon^{MD} enregistrés pour une période de deux (2) ans à compter de la date d'achat initiale. Les chargeurs, blocs de batterie et outils sans fil Oregon^{MD} enregistrés sont garantis deux (2) ans s'ils sont utilisés à des fins commerciales. Cette garantie limitée s'applique aux produits du système d'outils sans fil fabriqués par Oregon^{MD}. Pendant la période de garantie, Blount réparera ou, à sa discrétion, remplacera sans frais pour l'acheteur d'origine seulement tout produit ou toute pièce ayant un défaut de matériau ou de main-d'œuvre confirmé après vérification de Blount. Le propriétaire sera responsable de tous les frais de transport et du coût de démontage de toute pièce soumise pour remplacement en vertu de la garantie.

Pour enregistrer votre produit, visitez la rubrique « Soutien » de **OregonCordless.com**.

Renseignements de service et de soutien

Visitez-nous sur Internet à l'adresse **OregonCordless.com** pour des renseignements sur les centres de service ou communiquez avec notre département de service à la clientèle au 888 313-8665 pour une assistance, des conseils techniques supplémentaires, une réparation, des pièces de rechange ou pour enregistrer le produit.

Par souci de sécurité, utilisez uniquement des pièces de rechange authentiques d'usine avec la tronçonneuse. Le personnel de notre centre de service a été formé pour vous fournir aide et soutien de façon efficace pour tout réglage, réparation ou remplacement requis pour tous les produits du système d'outils sans fil Oregon^{MD}.

Índice

| | |
|--|-----|
| Instrucciones de seguridad importantes | 77 |
| Definiciones de las señales de seguridad | 77 |
| Advertencias generales de seguridad sobre la herramienta eléctrica | 77 |
| Seguridad en el área de trabajo | 77 |
| Seguridad eléctrica | 77 |
| Seguridad personal | 78 |
| Uso y cuidado de la herramienta eléctrica | 78 |
| Uso y cuidado de la batería | 79 |
| Servicio técnico | 79 |
| Advertencias de seguridad de la motosierra | 79 |
| Causas y prevención de rebotes del operador | 82 |
| Dispositivos de seguridad contra rebotes en esta sierra | 82 |
| Almacenamiento, transporte y desecho | 83 |
| Seguridad de la batería | 84 |
| Seguridad del cargador | 85 |
| Símbolos y etiquetas | 86 |
| Nombres y términos de la motosierra | 87 |
| Identificación del producto | 88 |
| Desempaque y armado | 89 |
| Revisión de la posición del protector de manos frontal | 89 |
| Llenado del depósito de aceite de la barra y la cadena | 90 |
| Armado de la barra de guía y la cadena de la sierra | 91 |
| Tensado de la cadena de la sierra | 92 |
| Uso de la motosierra | 94 |
| Batería y cargador | 94 |
| Uso general | 96 |
| Corte | 97 |
| Afilado con PowerSharp® | 102 |
| Mantenimiento y limpieza | 103 |
| Inspección | 103 |
| Tensado de la cadena de la sierra | 104 |
| Reemplazo de una cadena de sierra y una piedra de afilar desgastadas | 104 |
| Mantenimiento de la barra de guía | 105 |
| Reemplazo de una barra de guía desgastada | 105 |
| Reemplazo de un engranaje tensor de la cadena desgastado | 106 |
| Reemplazo de la rueda dentada de accionamiento | 106 |
| Limpieza | 107 |
| Paquete de batería | 107 |
| Cargador | 107 |
| Información adicional sobre el mantenimiento | 107 |
| Solución de problemas | 108 |
| Especificaciones y componentes | 110 |
| Garantía y servicio técnico | 111 |

Instrucciones de seguridad importantes

Introducción

Esta motosierra está diseñada para uso moderado ocasional. No está diseñada para talar árboles grandes ni cortar troncos de grandes diámetros. Esta motosierra no está diseñada para la poda de árboles. No corte árboles o vigas de madera que tengan un diámetro superior a la longitud de corte eficaz de la motosierra: 38 cm (15 pulgadas).

Definiciones de las señales de seguridad

| SÍMBOLO | SEÑAL | SIGNIFICADO |
|---------|--------------------|---|
| | ADVERTENCIA | Indica un peligro potencial que puede provocar una lesión grave. |
| | PRECAUCIÓN | Indica un peligro potencial que podría provocar un daño serio a la herramienta o provocar lesiones menores y moderadas. |
| | IMPORTANTE | Seguir esta instrucción aumentará la satisfacción con la herramienta. |

Advertencias generales de seguridad sobre la herramienta eléctrica

⚠ ADVERTENCIA: Lea todas las advertencias de seguridad y las instrucciones. No seguir estas advertencias e instrucciones podría ocasionar una descarga eléctrica, un incendio y/o lesiones graves.



Guarde todas las advertencias e instrucciones para futura referencia. El término "herramienta eléctrica" en las advertencias se refiere a su herramienta alimentada desde la red (cableada) o de batería (inalámbrica).

Seguridad en el área de trabajo

- **Mantenga el área de trabajo limpia y bien iluminada.** Las zonas abarrotadas u oscuras son propensas a los accidentes.
- **No use la herramienta eléctrica en ambientes explosivos, como aquellos con presencia de líquidos, gases o polvo inflamables.** Las herramientas eléctricas crean chispas que podrían encender el polvo o los gases.
- **Mantenga alejados a los niños y a los transeúntes mientras esté utilizando la herramienta eléctrica.** Las distracciones podrían hacerle perder el control.

Seguridad eléctrica

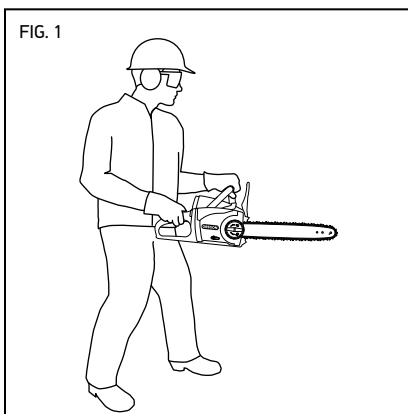
- **El enchufe de una herramienta eléctrica tiene que coincidir con el tomacorriente. Nunca modifique el enchufe de forma alguna. No use adaptadores con las herramientas eléctricas puestas a tierra.** El uso de enchufes no modificados y tomacorrientes adecuados reduce el riesgo de que se produzcan descargas eléctricas.
- **Evite el contacto del cuerpo con superficies conectadas a tierra, como tuberías, radiadores,**

estufas y refrigeradores. Hay un mayor riesgo de sufrir una descarga eléctrica si su cuerpo está puesto a tierra.

- **No exponga las herramientas eléctricas a condiciones húmedas ni a la lluvia.** Si entra agua en una herramienta eléctrica, habrá mayor riesgo de que ocurra una descarga eléctrica.
- **No maltrate el cable de alimentación. Nunca use el cable para transportar, acarrear ni desenchufar la herramienta eléctrica. Mantenga el cable alejado del calor, el aceite, los bordes filosos y las piezas móviles.** Un cable dañado o enredado conlleva mayor riesgo de que se produzca una descarga eléctrica.
- **Para usar una herramienta eléctrica al aire libre, use un prolongador apto para uso al aire libre.** El uso de un cable apto para uso al aire libre reduce el riesgo de que se produzca una descarga eléctrica.
- **Si es inevitable usar la herramienta eléctrica en un lugar húmedo, utilice un suministro protegido con un disyuntor por falla a tierra (GFCI).** La utilización de un GFCI reduce el riesgo de que se produzca una descarga eléctrica.

Seguridad personal

- **Permanezca alerta, esté atento a lo que hace y use su sentido común al usar una herramienta eléctrica. No use una herramienta eléctrica si está cansado o si está bajo la influencia de drogas, alcohol o medicamentos.** Si se distrae por un momento mientras usa una herramienta eléctrica, podría sufrir lesiones personales graves.
- **Use equipo de protección personal. Siempre use protección para los ojos.** El uso de equipo de protección adecuado para las condiciones de trabajo, como una máscara contra el polvo, calzado de seguridad antideslizante, pantalones largos, un casco de seguridad o protección para los oídos, reduce el riesgo de sufrir lesiones personales.
- **Evite el arranque accidental de la herramienta. Asegúrese de que el interruptor esté en la posición de apagado antes de conectar la herramienta a la fuente de alimentación y/o al módulo de la batería y antes de levantar o transportar la herramienta.** Transportar herramientas eléctricas con el dedo sobre el gatillo o energizarlas con el interruptor en la posición de encendido es una invitación a que se produzca un accidente.
- **Quite toda llave de ajuste antes de encender la herramienta eléctrica.** Si se deja una llave conectada a una pieza móvil de la herramienta eléctrica, podrían producirse lesiones personales.
- **No se estire demasiado. Mantenga un apoyo firme y un buen equilibrio en todo momento (Fig. 1).** Esto permite un mejor control de la herramienta en caso de situaciones inesperadas.



- **Vístase correctamente. No use ropa ni joyas sueltas. Mantenga el cabello, la ropa y los guantes alejados de las piezas móviles.** La ropa, las joyas o el cabello sueltos podrían quedar atrapados en las piezas móviles.
- **Si se proporcionan dispositivos para la conexión de instalaciones de extracción y recolección de polvo, asegúrese de que estas estén conectadas y de que se utilicen de forma adecuada.** La utilización de sistemas de recolección de polvo puede reducir los peligros relacionados con el polvo.

Uso y cuidado de la herramienta eléctrica

- **No fuerce la herramienta eléctrica. Use la herramienta eléctrica adecuada para su aplicación.** La herramienta eléctrica adecuada hará el trabajo mejor y de forma más segura al ritmo para el cual fue diseñada.
- **No use la herramienta eléctrica si el interruptor no permite encenderla y apagarla.** Toda herramienta que no pueda controlarse con el interruptor es peligrosa y debe repararse.
- **Desconecte el enchufe de la fuente de alimentación y/o quite el módulo de la batería de la herramienta eléctrica antes de hacer cualquier ajuste sobre ella, cambiar accesorios o almacenarla.** Estas medidas de seguridad preventivas reducen el riesgo de arranques accidentales de la herramienta.
- **Almacene las herramientas eléctricas que no se encuentren en uso fuera del alcance de los niños y no permita que las usen personas que no conozcan la herramienta eléctrica ni estas instrucciones.** Las herramientas eléctricas son peligrosas en las manos de usuarios no capacitados.
- **Proporcione mantenimiento a las herramientas eléctricas. Verifique que las piezas móviles no estén mal alineadas ni atascadas, que no haya piezas rotas y que no haya ninguna otra condición que pudiera afectar el funcionamiento de la herramienta. Si la herramienta se daña, hágala reparar antes de usarla.** Muchos accidentes ocurren por no dar un buen mantenimiento a las herramientas eléctricas.

- **Mantenga las herramientas de corte afiladas y limpias.** Las herramientas de corte con buen mantenimiento y bordes de corte afilados tienen menos probabilidades de atascarse y son más fáciles de controlar.
- **Utilice la herramienta eléctrica, los accesorios, las brocas, etc. de acuerdo con estas instrucciones, y tome en cuenta las condiciones de trabajo y la tarea por realizar.** El uso de la herramienta eléctrica para tareas distintas de las previstas podría provocar una situación peligrosa.

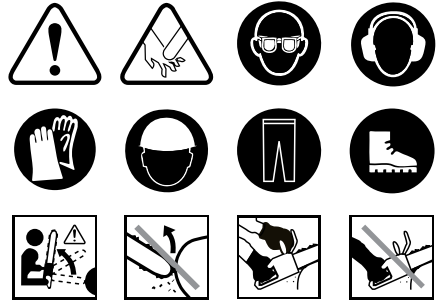
Uso y cuidado de la batería

- **Recargue la herramienta únicamente con el cargador especificado por el fabricante.** El uso de un cargador diseñado para un determinado tipo de paquete de batería puede generar un peligro de incendio cuando se usa con otro paquete de batería.
- **Use la motosierra únicamente con los paquetes de batería específicamente diseñados para ella.** El uso de otros paquetes de batería puede crear riesgo de lesiones e incendios.
- **Cuando no use la batería, manténgala alejada de otros objetos metálicos, como sujetapapeles, monedas, llaves, clavos, tornillos y otros objetos metálicos pequeños que pudieran establecer una conexión entre un terminal y el otro.** Un cortocircuito entre los terminales de la batería puede provocar quemaduras o un incendio.
- **En condiciones de abuso, podría salir líquido proyectado de la batería.** Evite el contacto con este líquido. Si ocurre accidentalmente el contacto con el líquido, enjuague la zona de contacto con agua. Si el líquido entra en contacto con los ojos, busque también asistencia médica. El líquido proyectado por la batería puede causar irritación o quemaduras.
- **No desarme la motosierra, el cargador o el paquete de batería ni intente reparar estos productos. De lo contrario, podría producirse una descarga eléctrica.**

Servicio técnico

Encargue el servicio técnico de su herramienta eléctrica a un técnico de reparación calificado que utilice únicamente piezas de repuesto idénticas. Esto garantizará que se mantenga la seguridad de la herramienta eléctrica.

Advertencias de seguridad de la motosierra



- **Mantenga todas las partes del cuerpo alejadas de la cadena al usar la motosierra. Antes de encender la motosierra, asegúrese de que la cadena no esté en contacto con ningún objeto.** Un momento de distracción mientras usa una motosierra puede provocar que la ropa o el cuerpo se enrede con la cadena.
- **Sostenga siempre la motosierra con la mano derecha en el mango trasero y la mano izquierda en el mango frontal.** Sostener la motosierra con una configuración de manos inversa aumenta el riesgo de lesiones personales y no debe hacerse. NOTA: Para motosierras diseñadas con la barra de guía en el lateral izquierdo, la referencia a la posición “mano derecha” y “mano izquierda” debe revertirse.
- **Use gafas de seguridad y protección para los oídos. Se recomienda el uso de equipo de protección adicional para la cabeza, las manos, las piernas y los pies.** La ropa de protección adecuada reducirá las lesiones personales causadas por residuos proyectados o contacto accidental con la cadena de la sierra.
- **No opere la motosierra en un árbol.** La operación de una motosierra mientras se encuentra encima de un árbol puede provocar lesiones personales.
- **Mantenga siempre un apoyo firme y opere la motosierra solo cuando se encuentre en una superficie fija, segura y nivelada.** Las superficies resbalosas o inestables pueden provocar la pérdida de equilibrio o control de la motosierra.
- **Siga las instrucciones de afilado y mantenimiento del fabricante para la cadena de la sierra.** Disminuir la altura del medidor de profundidad puede llevar a un aumento de los rebotes.

⚠ PELIGRO: El contacto con la cadena en movimiento de la sierra provocará lesiones personales graves. Mantenga las manos y el cuerpo alejados de la cadena en movimiento de la sierra.

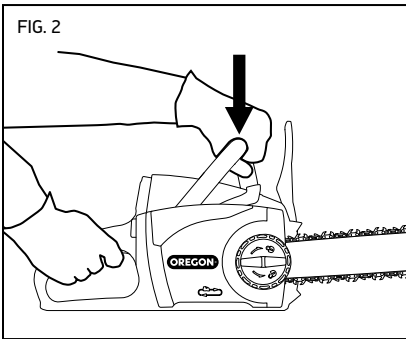
⚠ PELIGRO: El contacto con el cableado eléctrico durante el uso puede provocar que las piezas metálicas expuestas de la herramienta conduzcan la electricidad, lo cual puede causar lesiones personales graves. Durante el uso, sostenga siempre la motosierra por las superficies de agarre aisladas.

⚠ ADVERTENCIA: El uso de una motosierra armada incorrectamente puede causar lesiones personales graves. Solo use esta herramienta luego de armarla correctamente según la sección “Desempaque y armado” de este manual.

⚠ ADVERTENCIA: Los momentos de falta de atención durante el uso de la motosierra pueden causar lesiones personales graves. Antes de encender la motosierra, reduzca al mínimo todas las distracciones, mantenga las partes del cuerpo alejadas de la cadena de la sierra y asegúrese de que la cadena no esté en contacto con ningún objeto.

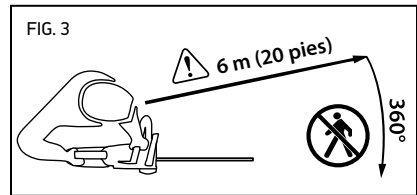
⚠ ADVERTENCIA: Usar una sola mano para operar la motosierra puede causar lesiones personales. Use ambas manos al operar la motosierra (consulte la Fig. 2).

FIG. 2



⚠ PRECAUCIÓN: El contacto con los residuos proyectados o el contacto accidental con la cadena de la sierra, pueden causar lesiones personales. Siempre use un equipo de protección para la cabeza, los oídos, las manos, las piernas y los pies.

⚠ PRECAUCIÓN: Establezca una zona de seguridad para transeúntes de 6 m (20 pies) antes de usar este equipo. La zona de seguridad para transeúntes es un círculo de 6 m (20 pies) alrededor del operador en el que no debe haber transeúntes, niños ni mascotas (Fig. 3).



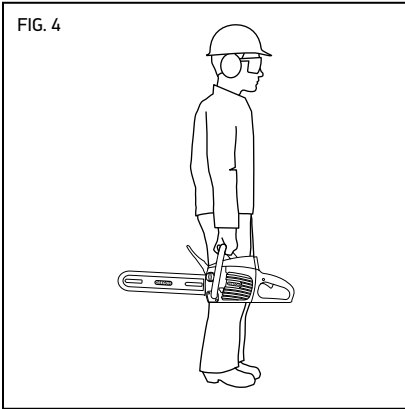
⚠ PRECAUCIÓN: Las ramas bajo tensión pueden “rebotar” y golpear al operador o hacer que la motosierra quede fuera de control, lo cual puede causar lesiones personales. Siempre esté atento a la madera bajo tensión o que pueda golpear al operador o a la motosierra al cortar.

⚠ PRECAUCIÓN: La tensión o lubricación inadecuadas de la cadena pueden aumentar la probabilidad de sufrir lesiones debido al rebote. Siempre siga las instrucciones descritas en la sección “Tensado de la cadena de la sierra” en este manual.

⚠ PRECAUCIÓN: Las superficies de agarre húmedas o engrasadas pueden provocar una pérdida de control de la herramienta, lo cual causará lesiones personales. Mantenga siempre los mangos secos, limpios y libres de aceite y grasa.

⚠ PRECAUCIÓN: El uso de la motosierra para aplicaciones diferentes de su uso previsto podría producir una situación peligrosa. La motosierra está diseñada exclusivamente para cortar maderas o ramas pequeñas.

⚠ PRECAUCIÓN: Para evitar el contacto accidental con la cadena de la sierra durante el transporte, siempre coloque la cubierta de la hoja y mantenga las manos y los dedos alejados de la zona del gatillo (Fig. 4).



⚠ PRECAUCIÓN: Se ha informado que el uso prolongado de herramientas eléctricas provoca trastornos vasculares, musculares o neurológicos (como el dedo blanco por vibración o Síndrome de Raynaud). Para reducir el riesgo de sufrir lesiones, siga estas instrucciones:

- Use guantes, y mantenga las manos y el cuerpo calientes.
- Sujete la motosierra con firmeza, pero no ejerza una presión prolongada y excesiva. Deje que la motosierra haga el trabajo.
- Asegúrese de que el sistema de corte se mantenga de manera apropiada.
- Descanse con frecuencia.

La vibración durante el uso normal puede diferir de los valores que se consignan en este manual, dependiendo del material que se corta, el mantenimiento del sistema de corte y otros factores.

- **Al cortar una rama que esté bajo tensión, esté atento al rebote.** Cuando se libera la tensión en las fibras de la madera, la rama cargada con rebote puede golpear al operador y/o hacer que la motosierra quede fuera de control.
- **Tenga extremo cuidado al cortar matorrales y árboles jóvenes.** El material ligero puede atrapar la cadena y azotarse hacia usted o desequilibrarlo.
- **Transporte la motosierra por el mango frontal con la motosierra apagada y lejos del cuerpo. Al transportar o almacenar la motosierra, coloque siempre la cubierta de la barra de guía.** El manejo apropiado de la motosierra reducirá la probabilidad de contacto accidental con el movimiento de la cadena.
- **Siga las instrucciones para la lubricación, la tensión de la cadena y el cambio de accesorios. Una tensión o lubricación inadecuada de la cadena puede aumentar la probabilidad de sufrir lesiones debido al rebote.**
- **Mantenga siempre los mangos secos, limpios y libres de aceite y grasa.** Las aspas grasosas o aceitosas son resbalosas y provocan la pérdida del control.
- **Corte madera solamente. No use la motosierra para fines no previstos.** Por ejemplo: no use la motosierra para cortar plástico, mampostería o materiales de construcción que no sean madera. El uso de la motosierra para tareas distintas de las previstas podría provocar una situación peligrosa.
- **Use ambas manos al operar la motosierra.**
- **La pieza de trabajo, la barra y la cadena pueden quedar calientes después de cortar. Use guantes para evitar quemaduras.**
- **Use el equipo auxiliar apropiado y asegúrese de que no esté dañado, que tenga la resistencia adecuada y que esté colocado de forma segura.** Use el equipo auxiliar únicamente para el propósito para el cual está diseñado.

Causas y prevención de rebotes del operador



El rebote se puede producir cuando la punta de la barra de guía toca un objeto, o cuando la madera cierra y atasca la cadena de la sierra en el corte.

El contacto con la punta, en algunos casos, puede provocar una reacción inversa repentina, y hacer que la barra de guía rebote hacia arriba y vuelva hacia el operador.

Atascar la cadena a lo largo de la parte superior de la barra de guía puede empujar la barra de guía rápidamente de regreso hacia el operador.

Cualquiera de estas reacciones puede hacer que usted pierda el control de la sierra, lo cual provocaría lesiones personales graves. No dependa exclusivamente de los dispositivos de seguridad integrados a su sierra. Como usuario de la motosierra, debe tomar varias medidas para hacer que sus trabajos de corte estén libres de accidentes o lesiones.

El rebote es el resultado del uso indebido de la herramienta y/o procedimientos o condiciones de operación incorrectos y se puede evitar si se toman las precauciones correctas de acuerdo a lo siguiente:

- Sujete firmemente la motosierra con los pulgares y dedos alrededor de los mangos de la motosierra, con ambas manos en la sierra y posicione su cuerpo y el brazo de modo que le permita resistir las fuerzas de rebote. Si se toman las medidas necesarias, el operador puede controlar las fuerzas de rebote. No suelte la motosierra.
- No se estire excesivamente y no corte por encima de la altura de su hombro. Esto ayuda a evitar el contacto no deseado con la punta y permite un mejor control de la motosierra en situaciones inesperadas.
- Use solo las barras y cadenas de repuesto especificadas por el fabricante. Los repuestos incorrectos de barra y cadena pueden provocar una ruptura de la cadena y rebotes.
- Siga las instrucciones de afilado y mantenimiento del fabricante para la cadena de la sierra. Disminuir la altura del medidor de profundidad puede llevar a un aumento de los rebotes.

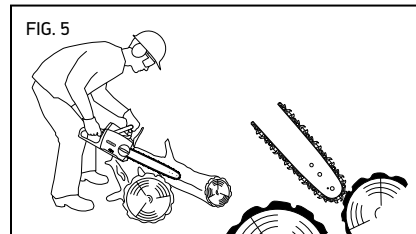
Dispositivos de seguridad contra rebotes en esta sierra

⚠ PELIGRO: Nunca modifique ni intente desactivar el freno de la cadena.

⚠ PELIGRO: Use solo las barras y cadenas de repuesto especificadas por Oregon®. Los repuestos incorrectos de barra y cadena pueden provocar una ruptura de la cadena y un aumento del riesgo de lesiones por rebotes.

FRENO DE LA CADENA

Esta motosierra viene equipada con un freno de cadena, que detiene el motor y el movimiento de la cadena cuando se produce un rebote (Fig. 5). El freno de la cadena se puede activar por el movimiento de avance del protector frontal porque la sierra gira hacia atrás durante el rebote; también se puede activar mediante las fuerzas inerciales generadas de un caso de rebote.



CADENA

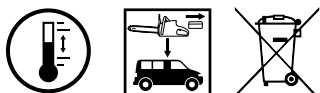
Esta motosierra viene equipada con una cadena de sierra que cumple con los requisitos de rebote reducido de ANSI B175.1, tras haberse realizado una prueba con una muestra representativa de motosierras. Para obtener información sobre la cadena de la sierra, vea la sección "Especificaciones y componentes" de este manual.

BARRA

Esta sierra viene equipada con una barra de guía de rebote reducido que tiene una punta de radio pequeño. Las puntas de radio más pequeño tienen menor potencial para el rebote que una barra del mismo tamaño con un radio de punta más grande.

Al reemplazar la barra, pida solo la barra indicada en este manual para mantener un desempeño de rebote bajo.

Almacenamiento, transporte y desecho



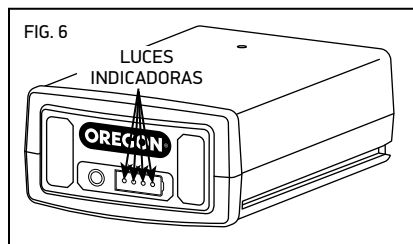
ALMACENAMIENTO DE LA MOTOSIERRA

- Extraiga el paquete de batería de la motosierra.
- Limpie la motosierra minuciosamente.
- Instale la funda de la hoja.
- Almacene en un lugar seco.
- Mantenga fuera del alcance de los niños o las mascotas.
- Es normal que se filtre una pequeña cantidad de aceite desde la barra de guía cuando la motosierra no está en uso. Para evitar filtraciones, coloque la funda de la cuchilla y una almohadilla absorbente debajo de la barra.

ALMACENAMIENTO DE LA BATERÍA

Cuando almacene la batería por más de nueve meses, siga estas pautas:

- Extraiga el paquete de batería de la motosierra o del cargador.
- Almacene en un lugar fresco y seco.
- Mantenga fuera del alcance de los niños o las mascotas.
- Para prolongar la vida útil de la batería, nunca almacene el paquete de batería completamente descargado (sin ninguna luz indicadora encendida) (Fig. 6).



- Para prolongar al máximo la vida útil de la batería, asegúrese de cargar el módulo de la batería una vez al año o cuando el indicador LED muestre solo una luz.
- Almacene a una temperatura entre los -20°C y 30°C (-4°F y 86°F).

CÓMO ALMACENAR EL CARGADOR

- Retire la batería del cargador.
- Desconecte el cargador de la fuente de energía.
- Almacene en un lugar seco.
- Mantenga fuera del alcance de los niños o las mascotas.

Consulte "Mantenimiento y limpieza" para obtener más información.

TRANSPORTE DE LA MOTOSIERRA

- Extraiga el paquete de batería de la motosierra.
- Instale la funda de la hoja.
- Si lo desea, drene el aceite de la barra y de la cadena para reducir las filtraciones.
- Transporte la sierra con la barra y la cadena detrás del operador.
- Las herramientas pueden desplazarse durante el transporte. Asegure la herramienta para que no se caiga ni se mueva y así evitar provocar lesiones personales o daños materiales.

CÓMO TRANSPORTAR EL PAQUETE DE BATERÍA

Cumpla con las reglamentaciones locales y nacionales al enviar baterías de litio de iones. Es posible que se requiera un etiquetado especial.

DESECHO DE LA MOTOSIERRA Y DEL CARGADOR

El producto Oregon® se diseña y fabrica con materiales y componentes de alta calidad que pueden reciclarse y reutilizarse. Tenga a bien desechar este equipo de forma adecuada desde el punto de vista medioambiental en un centro de reciclaje o recolección de residuos local.

DESECHO DE LA BATERÍA

No incinere ni deseche la batería junto a los residuos domésticos. Los organismos locales de reciclaje y de gestión de residuos tienen información sobre cómo reciclar o desechar los residuos correctamente. En los Estados Unidos y Canadá, la recolección de baterías está a cargo de Rechargeable Battery Recycling Corporation (Empresa de Reciclaje de Baterías Recargables). Oregon® ya cubrió los gastos del reciclaje de las baterías. Lleve las baterías en desuso a un comercio minorista o un centro de reciclaje participante. Si desea obtener la ubicación de los centros de entrega u otra información, visite www.call2recycle.org o llame al 1-800-8BATTERY.



Seguridad de la batería

⚠ ADVERTENCIA: No cuidar la batería correctamente podría hacer que la batería derrame sustancias químicas peligrosas, se sobrecaliente, emita humo, estalle, cree una llamarada, explote o se incendie. Siga estas reglas de seguridad.

⚠ PRECAUCIÓN: No deseché el módulo de la batería con la basura domiciliar ni lo incinere. Los módulos de batería de iones de litio deben reciclarse en un centro de reciclaje autorizado local.

IMPORTANTE: La exposición al calor excesivo puede perjudicar el rendimiento de la batería o reducir su vida útil. No exponga las baterías a temperaturas de calor extremas, como por ejemplo dentro de un vehículo en un día caluroso.

- No intente recargar un módulo de batería que no sea recargable.
- No desarme ni modifique la batería. Esto podría dañar las características de seguridad.
- No conecte los terminales positivo (+) y negativo (-) con objetos metálicos ni almacene la batería junto con objetos metálicos como monedas o tornillos. Esto puede provocar un cortocircuito y generar suficiente calor como para provocar quemaduras.
- No incinere el módulo de la batería ni lo exponga a calor excesivo. Esto podría derretir el aislamiento o dañar las características de seguridad.
- No use, cargue ni almacene la batería cerca de una fuente de calor a más de 80 °C (176 °F). Esto podría provocar sobrecalentamiento y un cortocircuito interno.
- No exponga la batería a condiciones de extrema humedad. Esto puede dañar las características de seguridad, producir una carga con corriente y voltaje extremadamente altos y provocar reacciones químicas anormales.
- Use únicamente el cargador específicamente diseñado para el módulo de la batería y siga las precauciones de seguridad que se describen en la sección "Seguridad del cargador". Usar otro cargador puede dañar las características de seguridad, producir una carga con corriente y voltaje extremadamente altos y provocar reacciones químicas anormales.
- No use módulos de batería marca Oregon® en herramientas que no sean marca Oregon®.
- No golpee, perforo ni arroje la batería, y no utilice una batería dañada ni deformada.
- Si la recarga falla, no vuelva a intentarla.
- Si el paquete de batería despidе olor, genera calor, se decolora, se deforma o presenta cualquier tipo de anomalía durante el uso, la recarga o el almacenamiento, quítelo inmediatamente de la motosierra o del cargador.
- Todo líquido que pierda la batería es corrosivo, puede dañar los ojos y la piel, y puede ser tóxico si se traga.

Seguridad del cargador

INSTRUCCIONES DE SEGURIDAD IMPORTANTES

⚠ ADVERTENCIA: Riesgo de descarga eléctrica. Si usa la herramienta al aire libre, conéctela únicamente a un tomacorriente cubierto “Clase A” que esté protegido por un disyuntor por corriente diferencial (GFCI) y que sea impermeable, incluso con la unidad conectada. Si no cuenta con un tomacorriente de este tipo, póngase en contacto con un electricista calificado para su correcta instalación. Asegúrese de que la unidad de alimentación y el cable no eviten que la cubierta del tomacorriente cierre por completo.

IMPORTANTE: Este artefacto no está diseñado para que lo usen personas (lo que incluye a niños) con capacidades físicas, cognitivas o mentales limitadas, o sin experiencia, a menos que hayan sido supervisadas o capacitadas por una persona responsable de su seguridad. Supervise a los niños para evitar que jueguen con los artefactos.

IMPORTANTE: Use este cargador únicamente con el cable de alimentación que se provee y asegúrese de que el enchufe se conecte correctamente al tomacorriente.

Al utilizar productos eléctricos, siempre deben seguirse precauciones básicas, entre las que se incluyen las siguientes:

- **Lea y siga todas las instrucciones de seguridad antes de usar la herramienta.** Lea y siga todas las instrucciones de seguridad que se encuentren en el producto o que se incluyan con el mismo.
- **Conserve estas instrucciones.**
- **No utilice un cable de extensión.**
- **Un cable dañado o enredado conlleva mayor riesgo de que se produzca una descarga eléctrica.** No maltrate el cable de alimentación. Nunca use el cable para transportar, acarrear ni desenchufar la herramienta eléctrica. Mantenga el cable alejado del calor, el aceite, los bordes filosos y las piezas móviles.
- **No exponga el cargador a la lluvia.** El cargador es solo para uso en interiores.
- **No lo utilice a menos de 3 m (10 ft) de una piscina.**
- **No lo utilice en un baño.**

Símbolos y etiquetas

Los siguientes símbolos y etiquetas aparecen en la motosierra, en la batería y en el cargador.

| SÍMBOLO | NOMBRE | EXPLICACIÓN |
|---|---|--|
|  | Símbolo de alerta de seguridad | Indica que el texto que sigue explica un peligro, una advertencia o una precaución. |
|  | Lea las instrucciones | El manual original de instrucciones contiene información importante sobre la seguridad y el uso. Lea y siga las instrucciones atentamente. |
|  | Use protección para los ojos | Use protección para los ojos al utilizar la motosierra. |
|  | Use protección para los oídos | Use protección para los oídos al utilizar la motosierra. |
|  | Use protección para las manos | Use guantes cuando utilice la motosierra y al manipular la cadena de la sierra. |
|  | Use protección para la cabeza. | Use protección para la cabeza al utilizar la motosierra. |
|  | Use pantalones largos | Use pantalones largos al utilizar la motosierra. |
|  | Use calzado de seguridad | Use botas de trabajo cerradas y adecuadas al utilizar la motosierra. |
|  | Potencia del sonido | El nivel de potencia del sonido es de 100 dB (k = 2,5 dB). |
|  | Cuidado con el rebote | El rebote puede provocar lesiones graves. |
|  | Contacto con la punta de la barra | Evite el contacto con la punta de la barra. |
|  | Ángulo de rebote de la motosierra | Diseñado para el uso con motosierra de rebote bajo. |
|  | Agarre con dos manos | Sujete la motosierra con ambas manos. |
|  | Agarre de una mano | No sostenga la motosierra con una sola mano. |
|  | No use una escalera | Nunca se pare sobre una escalera al utilizar la motosierra. |
|  | No incinerar | No arroje el producto al fuego. |
|  | No desechar | No deseche el producto con la basura doméstica. Llévelo a un centro de reciclaje autorizado. |
|  | Uso en interiores únicamente | Cargador para uso en interiores únicamente. |
|  | Temperatura de funcionamiento | Únicamente use el módulo de la batería a una temperatura de entre 0 °C y 40 °C (32 °F y 104 °F). |
|  | Herramienta de corte | Herramienta de corte. No toque la cadena sin antes desactivar la motosierra mediante la extracción de la batería. |
|  | Extraiga la batería | Extraiga la batería antes de realizar cualquier tarea de mantenimiento. |
|  | Extraiga la batería antes de transportar la herramienta. | Extraiga el paquete de batería de la motosierra antes de almacenarla, transportarla o desecharla. |

Nombres y términos de la motosierra

Almohadilla de la barra: almohadilla de montaje en el cabezal de potencia que ayuda a garantizar la alineación correcta de la barra de guía.

Anillo tensor de la cadena: anillo que se encuentra alrededor de la perilla de liberación de la tapa lateral que cuando se gira, ajusta la tensión de la cadena.

Barra de guía: estructura con rieles que soporta y guía la cadena de la sierra. A veces, simplemente se llama "barra".

Barra de guía de rebote reducido: barra de guía con un radio máximo de punta tal como especifica la ANSI B175.1 y la CSA Z62.3 y que se ha probado que reduce el rebote de forma significativa.

Bloqueo del acelerador: tope móvil que evita la activación accidental del interruptor del gatillo hasta que este sea accionado manualmente.

Brida de alineación: protuberancia en la almohadilla de la barra que encaja en la ranura de la barra.

Cabezal de potencia de la motosierra: motosierra sin la cadena de la sierra ni la barra de guía.

Cadena de la sierra: bucle de cadena con dientes de corte que cortan la madera, que es accionado por el cabezal de potencia y se apoya en la barra de guía. A veces, simplemente se llama "cadena".

Cadena de rebote bajo: cadena que cumple con los requisitos de rendimiento de bajo rebote de ANSI B175.1 y CSA Z62.3.

Calibre de la cadena: espesor de los eslabones motrices de la cadena de la sierra, donde esta encaja en la ranura de la barra, indicado por el número de pieza impreso en los eslabones motrices.

Corte al ras en muesca: un corte al ras de forma de muesca en un árbol para direccionar la caída del árbol.

Corte posterior de tala: el corte final en una operación de tala de árbol realizado en el lado opuesto del árbol desde el corte al ras en muesca.

Cubierta de la barra de guía: tapa de plástico que protege la barra de guía y la cadena de la sierra cuando la motosierra no está en uso.

Engranaje tensor de la cadena: engranaje montado en la barra de guía que ajusta la tensión de la cadena cuando se rota.

Engrasador automático: sistema que lubrica automáticamente la barra de guía y la cadena de la sierra.

Eslabón motriz: eslabón de forma de aleta de la cadena de la sierra que se ajusta en la ranura de la barra de guía.

Freno de la cadena: dispositivo para detener o bloquear la cadena; se activa de forma manual o no manual cuando se produce el rebote.

Funda lateral: cubierta plástica del cabezal de potencia que cubre la rueda dentada de

accionamiento y el engranaje tensor de la cadena; se extrae y se instala con la perilla de liberación de la cubierta lateral.

Interruptor del gatillo: dispositivo que enciende y apaga la motosierra.

Longitud de corte eficaz: distancia aproximada desde la raíz del tope claveteado hasta el borde exterior del eslabón de corte con el tensor en posición intermedia.

Mango frontal: asa de apoyo ubicada en la parte frontal de la motosierra o cerca de esta destinada al agarre con la mano izquierda.

Mango trasero: asa de apoyo ubicada en la parte trasera de la sierra o cerca de esta destinada al agarre con la mano derecha.

Paso de la cadena: distancia entre cualquiera de los tres remaches consecutivos de la cadena de la sierra dividida por dos, indicada por el número de pieza impreso en los eslabones motrices.

Perno de montaje: protuberancia roscada de la brida de alineación que se extiende a través de la ranura de la barra.

Piezas de desgaste: ciertas piezas, como la cadena de la sierra y la barra de guía, que se desgastan durante el uso y que el usuario puede cambiar.

Protector de manos frontal: barrera estructural entre el asa frontal de la motosierra y la barra de guía, que también sirve como mecanismo de activación del freno de la sierra.

Protector de manos trasero: barrera estructural en el lado inferior derecho del asa trasera para proteger al operador en caso de ruptura o descarrilamiento de la cadena.

Ranura de la barra: parte recortada de la barra de guía que se ajusta en la brida de alineación y el perno de montaje.

Rebote: movimiento rápido de la barra guía hacia atrás y/o hacia delante que se produce cuando la cadena cerca del área superior de la punta de la barra guía entra en contacto con cualquier objeto (como un tronco o rama), o cuando la madera cierra y atasca la cadena en el corte.

Retén de la cadena: dispositivo para retener la cadena si esta se rompe o se descarrila.

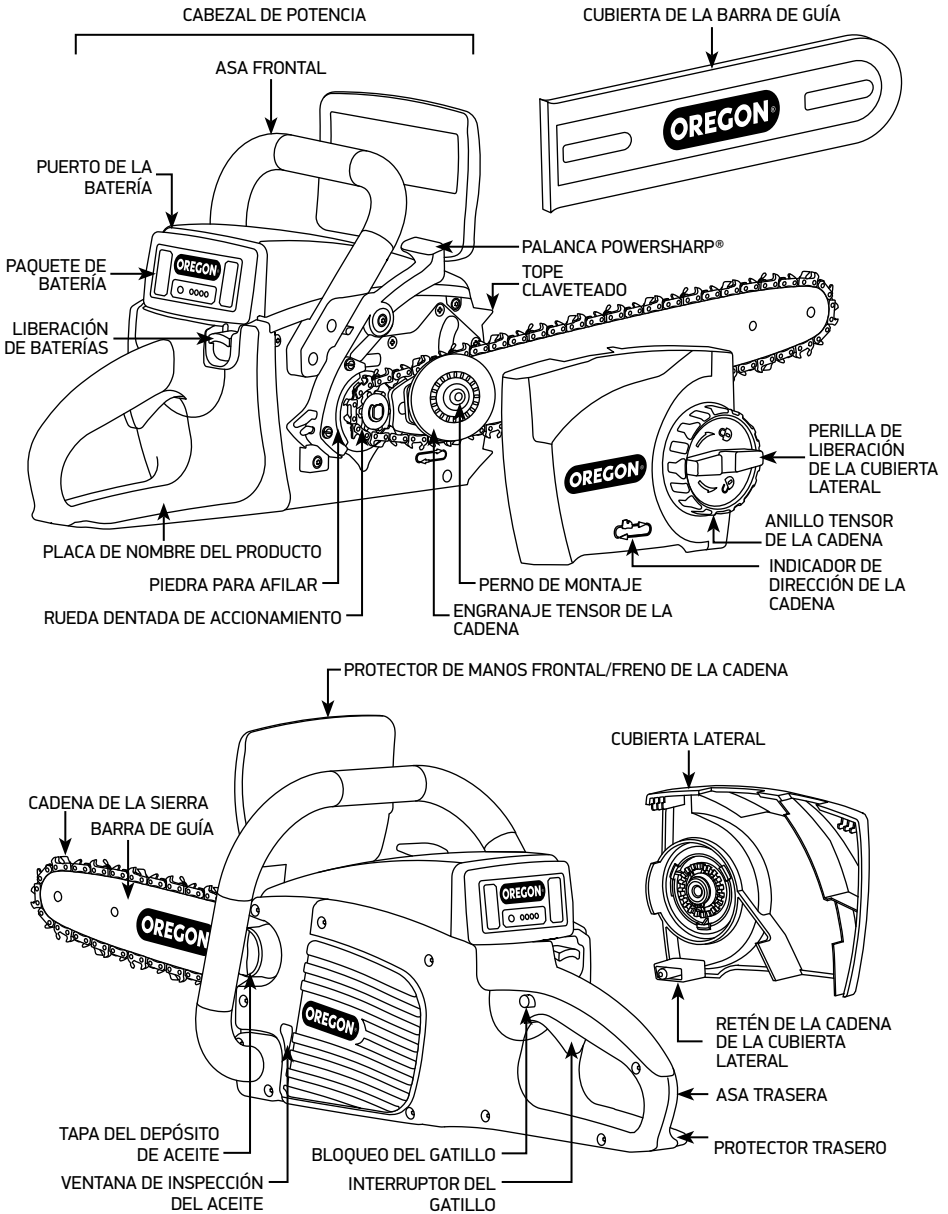
Rueda dentada de accionamiento: parte dentada que acciona la cadena de la sierra.

Tope claveteado: dispositivo adaptado a la parte frontal de la sierra que actúa como punto de pivote cuando entra en contacto con un árbol o tronco para facilitar el corte. También conocido como "dientes de tronzado".

Zona de seguridad para transeúntes: círculo de 6 m (20 pies) alrededor del operador que tiene que mantenerse libre de transeúntes, niños y mascotas.

Identificación del producto

Conozca la motosierra



NOTA: Consulte la sección "Desempaquetado y armado" para obtener una lista de los elementos que se incluyen.

Desempaque y armado

Desempaque

¿Qué hay en la caja?

Se deben seguir algunos pasos de armado antes de usar la motosierra. Los siguientes artículos se envían con la motosierra:

- Cabezal de potencia
- Barra de guía
- Cadena de la sierra
- Funda de hoja
- Engranaje tensor de la cadena
- Anillo tensor de la cadena
- Tornillo tensor de cadena
- Aceite para la barra y la cadena
- Cargador y cable de alimentación (si se encuentran equipados)
- Batería (si se encuentra equipada)

Luego de sacar la motosierra de la caja, examínela cuidadosamente para asegurarse de que no haya sufrido daños durante el envío y que no falten piezas. Si hay piezas dañadas o faltan piezas, no use la motosierra. Llame al Sistema a herramientas de batería Oregon® al 888.313.8665 para obtener piezas de repuesto.

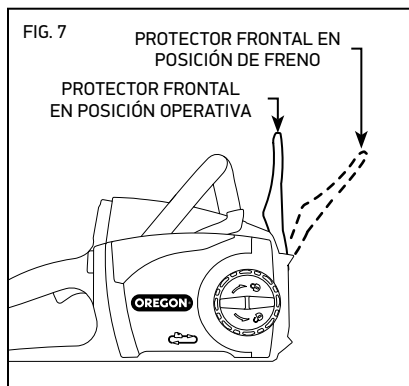
Armado

⚠ PELIGRO: Para evitar lesiones personales graves, no use la motosierra si el eje de extensión, la barra de guía, la cadena de la sierra o la cubierta lateral no están armados correctamente.

⚠ ADVERTENCIA: Si hay piezas dañadas o faltan piezas, no intente operar la motosierra.

Revisión de la posición del protector de manos frontal

Luego de desempacar la motosierra, revise la posición del protector frontal. La motosierra no funcionará con el freno de la cadena activado. Tire para atrás el protector de manos frontal hacia el mango frontal antes de la operación (Fig. 7).



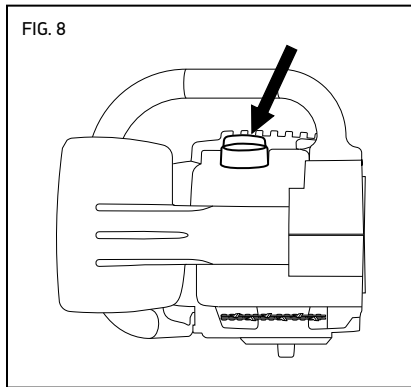
Llenado del depósito de aceite de la barra y la cadena

IMPORTANTE: El aceite de la barra y la cadena evita el desgaste prematuro. Nunca opere la motosierra si no hay aceite visible. Verifique el nivel de aceite con frecuencia y llene el depósito cuando sea necesario.

El aceite de la barra y la cadena es necesario para lubricar adecuadamente la barra de guía y la cadena de la sierra. La motosierra cuenta con un engrasador automático que deposita aceite en la barra y la cadena mientras están en funcionamiento para mantenerlas lubricadas. Para obtener mejores resultados, use aceite Oregon® para la barra y la cadena. Está diseñado especialmente para proporcionar una baja fricción y cortes más rápidos. **NUNCA** use aceite ni otros lubricantes que no estén diseñados específicamente para su uso en la barra y la cadena. Esto puede provocar una obstrucción en el sistema de aceite, lo cual podría ocasionar un desgaste prematuro de la barra y la cadena.

Coloque la motosierra sobre una superficie firme y plana, de modo que la tapa del aceite quede en la parte superior (Fig. 8).

FIG. 8



- Limpie cualquier suciedad de la zona de la tapa.
- Quite la tapa.
- Vierta cuidadosamente el aceite para la barra y la cadena en el depósito.
- Coloque la tapa y asegúrese de que puede ver el aceite en el depósito.

Si no ve el aceite en el depósito, deberá colocar más aceite para la barra y la cadena.

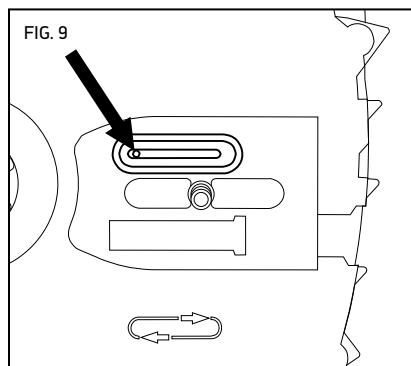
CEBADO DEL ENGRASADOR

⚠ ADVERTENCIA: Para reducir el riesgo de sufrir lesiones, nunca use la motosierra sin la cubierta lateral.

⚠ PRECAUCIÓN: Mantenga las manos, la ropa y el cabello lejos de la rueda dentada de accionamiento al cebar el engrasador.

Si esta es la primera vez que llena el depósito de aceite de la barra y la cadena, o si la motosierra ha estado almacenada durante mucho tiempo sin usar, ceba el engrasador.

- Inserte la batería.
- Opere la motosierra durante aproximadamente dos minutos.
- Extraiga la batería.
- Quite la cubierta lateral girando la perilla de liberación de la cubierta lateral hacia la izquierda.
- Verifique que haya aceite en la almohadilla de la barra (Fig. 9).



- Si no hay aceite en la almohadilla de la barra, vuelva a colocar la cubierta lateral y opere la motosierra otros 30 segundos.
- Cuando el aceite comience a filtrarse desde el orificio, la motosierra estará lista para el armado de la barra de guía y la cadena de la sierra.

Si no ve el aceite en el depósito, deberá colocar más aceite para la barra y la cadena.

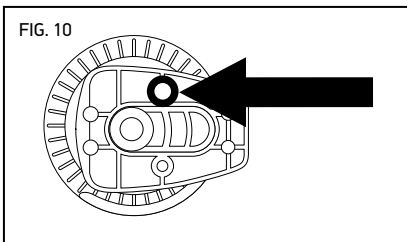
Armado de la barra de guía y la cadena de la sierra



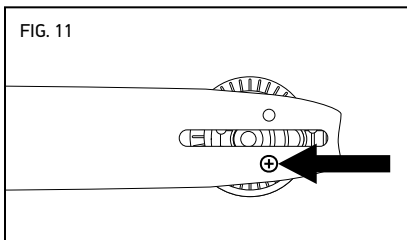
⚠ ADVERTENCIA: Una herramienta de batería con el módulo de la batería conectado siempre está en condiciones de funcionar y puede arrancar accidentalmente. Extraiga el paquete de batería de la motosierra antes de conectar el eje de extensión, la barra y la cadena.

Utilice guantes.

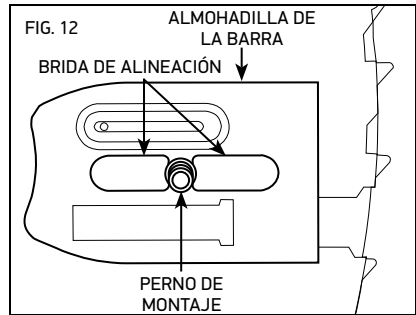
- Extraiga la batería.
- Afloje la perilla de liberación de la cubierta lateral girándola hacia la izquierda, luego quite la cubierta lateral.
- Hay un anillo de goma que es importante para el funcionamiento de la sierra. El anillo de goma tiene que estar colocado alrededor de la clavija en el tensor antes de enroscar el tensor a la barra (Fig. 10).



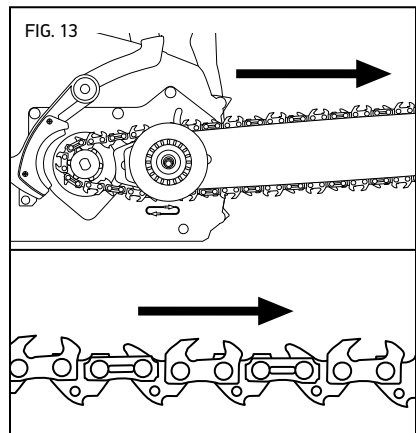
- Coloque el tornillo de la parte posterior del engranaje tensor de la cadena y conecte el engranaje tensor de la cadena en la barra de guía (Fig. 11).



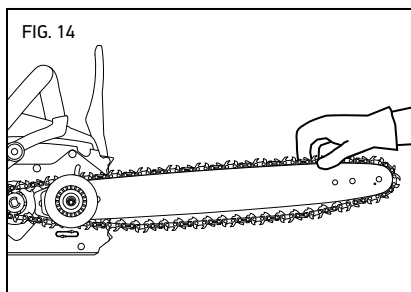
- Coloque el engranaje tensor de la cadena sobre el lado de la barra de guía, frente a usted, de modo que la pieza rectangular no sobresalga más allá de los bordes de la barra de guía y vuelva a colocar el tornillo.
- Coloque la barra de guía en la almohadilla de la barra deslizando la ranura de la barra sobre la brida de alineación (Fig. 12), con el perno de montaje colocado a través del orificio en el engranaje tensor de la cadena.



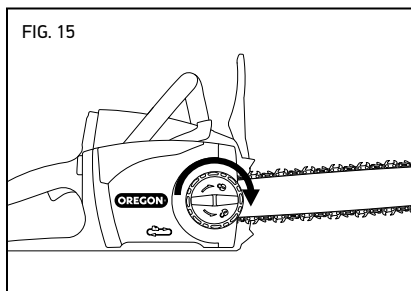
- Pase la cadena de la sierra sobre la rueda dentada de accionamiento de manera que los bordes de corte de los dientes a lo largo de la parte superior de la barra queden opuestos al cabezal de potencia (Fig. 13).



- Introduzca la cadena en la ranura de la barra. Gire el engranaje tensor de la cadena para deslizar la barra lejos del motor y tensar la cadena (Fig. 14).



- Instale la cubierta lateral y asegúrese de que el retén de la cadena esté bien asentado en su orificio; luego, ajuste ligeramente la perilla de liberación de la cubierta lateral (Fig. 15).



Tensado de la cadena de la sierra



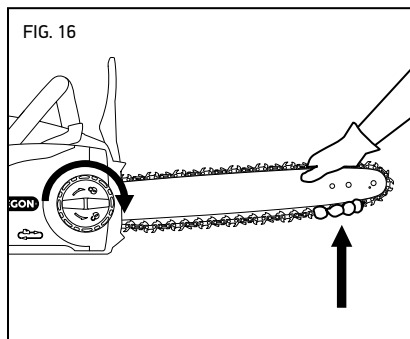
⚠ ADVERTENCIA: Una herramienta de batería con el módulo de la batería conectado siempre está en condiciones de funcionar y puede arrancar accidentalmente. Extraiga el paquete de batería de la motosierra antes de conectar el eje de extensión, la barra y la cadena.

⚠ ADVERTENCIA: Si la cadena aún está floja cuando la sierra se encuentra a la máxima tensión, reemplace la cadena.

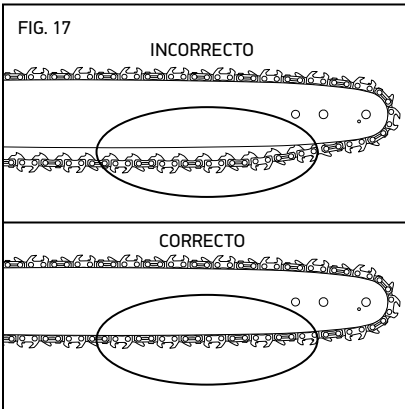
IMPORTANTE: Tense únicamente la cadena de la sierra cuando la cadena esté fría. Una cadena caliente se puede contraer y dañar la barra de guía o la cadena a medida que se enfría.

Utilice guantes.

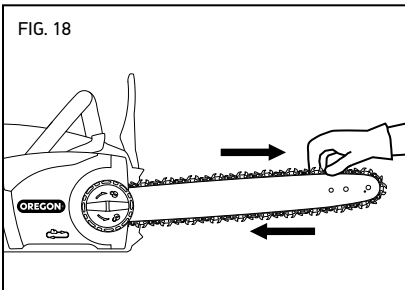
- Extraiga la batería.
- Afloje ligeramente la perilla de la cubierta lateral, pero no quite la cubierta lateral.
- Levante la punta de la barra de guía (Fig. 16) y gire el anillo tensor de la cadena hacia la derecha.



- Ajuste el anillo tensor hasta que las cuchillas inferiores debajo de la barra entren firmemente en contacto con la barra (Fig. 17).



- La tensión de la cadena de la sierra es correcta cuando, con un poco de esfuerzo, se puede tirar de la cadena suavemente alrededor de la barra. La cadena debe tocar la parte inferior del riel de la barra (Fig. 18).



- Ajuste la perilla de liberación de la cubierta lateral.
- Después de un corto período de uso, deje que la cadena se enfríe, extraiga la batería y vuelva a verificar la tensión. Controle cuidadosamente la tensión durante la primera media hora de uso y periódicamente durante la vida útil de la cadena. Vuelva a ajustarla según sea necesario cuando la cadena y la barra estén frías al tacto. Nunca ajuste la cadena si está caliente.

La cadena se estirará como resultado del uso normal, sin embargo, la falta de aceite suficiente, el uso agresivo o la falta de mantenimiento recomendado pueden causar un estiramiento prematuro.

Uso de la motosierra

Batería y cargador

⚠ ADVERTENCIA: No cargue el paquete de batería bajo la lluvia.

INDICADOR LED DEL NIVEL DE CARGA DE LA BATERÍA

La batería de iones de litio está equipada con un indicador LED de nivel de carga. Para ver el nivel de carga del paquete de batería, presione el botón del indicador en el frente del paquete de batería (Fig. 19).

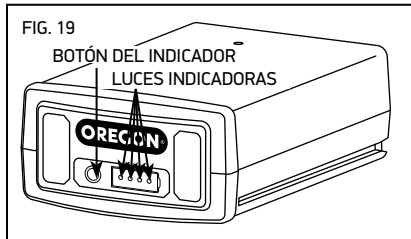
Sin luces: recargue.

Una luz verde fija:
menos del 25 % de carga.
Cargue la batería antes de usarla.

Dos luces verdes fijas:
entre el 26 % y el 50 % de carga.

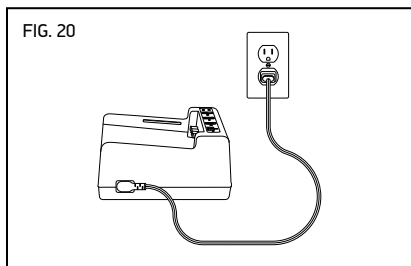
Tres luces verdes fijas:
entre el 51 % y el 75 % de carga.

Cuatro luces verdes fijas:
entre el 76 % y el 100 % de carga.



CÓMO CONECTAR EL CARGADOR

Si el cargador cuenta con un cable de potencia independiente, conecte el cable del cargador al cargador y a un tomacorriente adecuado (Fig. 20).



Use únicamente los cables suministrados con el cargador. La primera vez que use el cargador, verifique que el tipo de enchufe coincida con el tomacorriente.

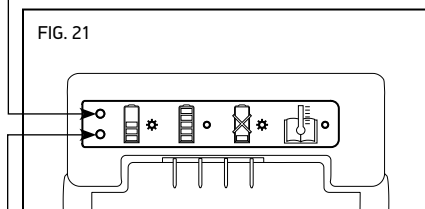
INDICADOR LED DEL ESTADO DE CARGA DEL CARGADOR

El cargador de la batería está equipado con un indicador LED del estado de carga que indica el estado de carga, así como las condiciones que podrían retrasar o impedir la carga (Fig. 21).

Nota: Hasta que no se inserte un módulo de la batería, no se verá ninguna luz.

Luz naranja intermitente: existe una condición de falla. Hay varias causas posibles. Consulte la sección "Solución de problemas" de este manual.

Luz naranja fija: la temperatura del módulo de la batería está fuera del rango aceptable (0 °C/32 °F a 40 °C/104 °F). Permita que el módulo de la batería alcance el rango de temperatura aceptable antes de cargarlo. El módulo se puede dejar en el cargador mientras se ajusta la temperatura. La carga comenzará cuando se alcance la temperatura adecuada.



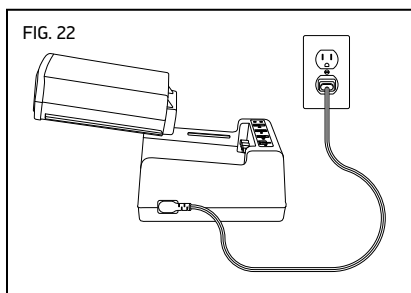
Luz verde intermitente: la batería se está cargando.

Luz verde fija: el módulo de la batería está listo para utilizar.

CÓMO CARGAR LA BATERÍA

⚠ ADVERTENCIA: No seguir los procedimientos de carga adecuados puede provocar voltaje excesivo, flujo de corriente excesivo, pérdida de control durante la carga, filtración de productos químicos peligrosos, generación de calor, estallido o incendio. Siga estas instrucciones de carga.

Con el cable del cargador conectado al cargador y enchufado a un tomacorriente, alinee las ranuras de la batería con los carriles del cargador y deslice el paquete de batería en el cargador hasta que esté completamente asentado (Fig. 22).

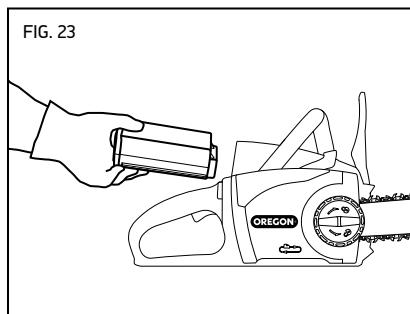


Verifique el indicador del estado de carga para conocer las condiciones de carga.

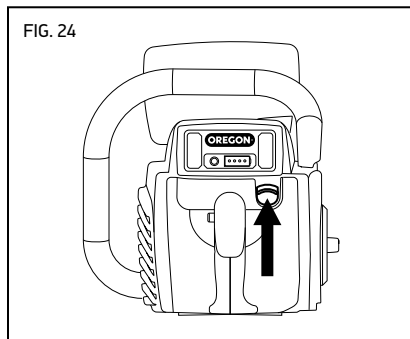
INTRODUCCIÓN Y DESBLOQUEO DEL MÓDULO DE LA BATERÍA

Use únicamente los módulos de la batería de marca Oregon® especificados en estas instrucciones de uso.

Alinee la ranura de la batería con los carriles dentro del puerto de la batería. Inserte firmemente el paquete de batería en el puerto de la batería de la motosierra, presionando hacia delante hasta que haga clic en señal de que encajó en su sitio (Fig. 23).



Para extraer el paquete de batería, levante la liberación de baterías, sujete los laterales del paquete de batería y extráigalo (Fig. 24).



Uso general



⚠ PELIGRO: Para evitar lesiones personales graves, no se estire excesivamente ni se pare sobre una escalera, un taburete ni en una posición de altura que no esté totalmente asegurada. Nunca corte por encima de la altura del hombro.

⚠ ADVERTENCIA: Para reducir el riesgo de sufrir lesiones, siempre use protección para la cabeza, los oídos y los ojos, botas, pantalones largos y guantes adecuados.

TEMPERATURA DE FUNCIONAMIENTO

Esta motosierra está diseñada para operar dentro de un rango de temperatura de 0 °C a 40 °C (32 °F a 104 °F).

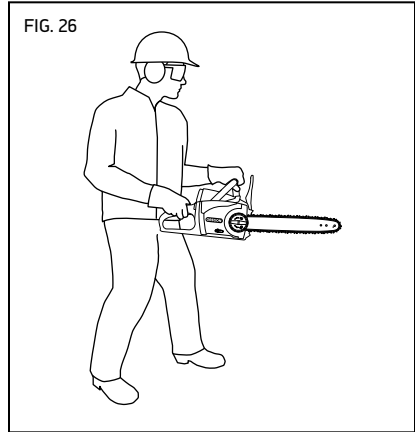
SUJECIÓN

Siempre agarre la herramienta con ambas manos. Sujete el mango frontal con la mano izquierda y el mango trasero con la derecha (Fig. 25). Envuelva los dedos sobre la parte superior del asa con el pulgar debajo del asa.



POSICIÓN

Párese con ambos pies sobre suelo sólido, con el peso distribuido de manera uniforme entre ellos (Fig. 26).



DETENCIÓN DE LA MOTOSIERRA

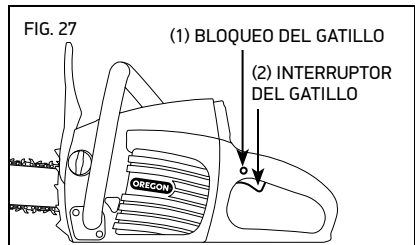
Sulte el interruptor del gatillo para detener la motosierra.

ARRANQUE DE LA MOTOSIERRA

⚠ ADVERTENCIA: Para reducir el riesgo de lesiones, nunca anule el sistema de bloqueo al unir, cablear o atar el bloqueo del gatillo.

Asegúrese de que el freno de la cadena no esté conectado.

Sujete los mangos frontal y trasero con firmeza. Presione y mantenga apretado el bloqueo del gatillo con el pulgar (1). Para arrancar la sierra, presione el interruptor del gatillo (2) (Fig. 27). No hay necesidad de continuar presionando el bloqueo del gatillo. Permanecerá desconectado hasta que se suelte el gatillo.



PRUEBA DEL FRENO DE LA CADENA

Asegúrese de que el freno de cadena funcione antes de usar la motosierra. Para revisar el funcionamiento del freno:

- Coloque la sierra sobre una superficie firme y plana.
- Arranque la sierra brevemente.
- Mantenga la mano izquierda en el mango frontal y deslice la muñeca izquierda para mover el protector de manos frontal hacia delante a fin de activar manualmente el freno de la cadena (Fig. 28).

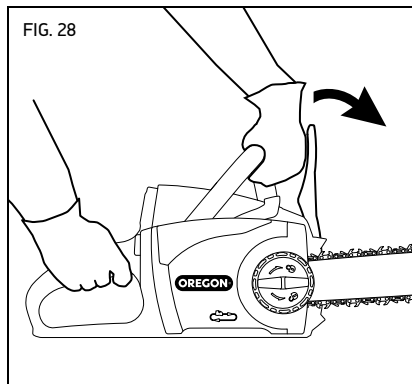


FIG. 28

- Suelte el interruptor del gatillo.

Un freno de cadena que funcione correctamente detiene el motor y la cadena de inmediato. Si el motor y la cadena de la sierra no se detienen de inmediato, haga revisar el freno de la cadena en un local de servicio técnico aprobado.

- Regrese el protector frontal a la posición de funcionamiento.

Corte

⚠ ADVERTENCIA: Para reducir el riesgo de sufrir lesiones, use protección para la cabeza, los oídos y los ojos, botas, pantalones largos y guantes adecuados.

⚠ ADVERTENCIA: Para reducir el riesgo de lesiones, asegúrese siempre de tener buen apoyo en sus pies y sostenga la motosierra firmemente con ambas manos mientras el motor esté en funcionamiento.

⚠ ADVERTENCIA: Para reducir el riesgo de lesiones, planifique con anticipación y planee varias vías de escape antes de comenzar a trabajar.

⚠ PRECAUCIÓN: Establezca una zona de seguridad para transeúntes de 6 m (20 pies) antes de usar este equipo. La zona de seguridad para transeúntes es un círculo de 6 m (20 pies) alrededor del operador en el cual no debe haber transeúntes, niños ni mascotas (Fig. 29). Las operaciones de tala requieren una zona de seguridad más grande de acuerdo con el tamaño del árbol, consulte la sección “Tala de un árbol”.

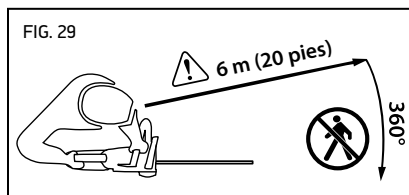


FIG. 29

IMPORTANTE: Practique el corte de troncos sobre un caballete de serrar o una base hasta que esté cómodo al operar la sierra.

Para obtener el mejor desempeño y operar la sierra de forma segura, siga estas instrucciones:

- Cumpla con todas las reglas y reglamentaciones nacionales y municipales aplicables para cortar.
- Tome descansos con frecuencia para reducir el riesgo de sufrir lesiones.
- Antes de empezar a cortar, asegúrese de que la cadena de la sierra esté correctamente tensada y que la cadena esté afilada.

Las cadenas de la sierra están hechas exclusivamente para cortar madera. No use la motosierra para cortar cualquier otro material y no permita que la cadena entre en contacto con suciedad, piedras, clavos, grapas o alambre. Estos materiales son extremadamente abrasivos y desgastarán el revestimiento de protección de la cadena en un tiempo muy corto.

Afile o cambie la cadena de la sierra si ocurre alguna de estas condiciones:

- La presión requerida para hacer cortes aumenta notablemente.
- Salen astillas de madera muy finas fuera de la cadena o parecidas al polvo.

No trabaje con una cadena desafilada ya que esto aumentará el esfuerzo necesario para cortar, provocará cortes irregulares, aumentará el desgaste de la motosierra y el riesgo de rebotes. Nunca fuerce una cadena desafilada a cortar.

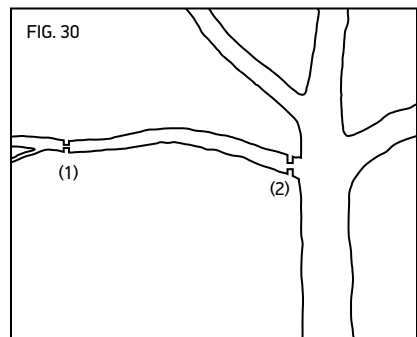
- Asuma el agarre de corte apropiado y ubíquese frente a la madera con la sierra apagada. Presione el bloqueo del gatillo y apriete el interruptor del gatillo. Deje que la cadena de la sierra alcance la velocidad máxima antes de comenzar el corte.
- Para comenzar a cortar, presione ligeramente la barra de guía contra la madera. Aplique solo una presión ligera y deje que la sierra haga el trabajo.
- Mantenga una velocidad constante durante todo el corte y libere la presión justo antes del final del corte.
- Conozca la ubicación de la punta de la barra en todo momento y evite el contacto con otros objetos.
- Si la sierra se detiene repentinamente al cortar, extraiga la sierra del corte y luego reanude el corte con una presión ligera sobre la pieza de trabajo.

PODA

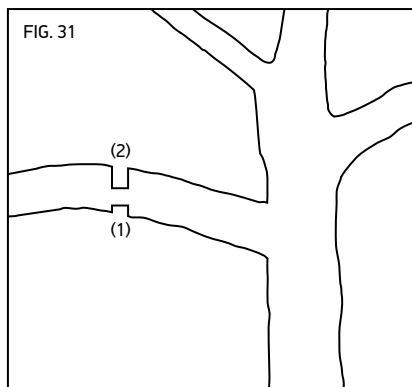
▲ PRECAUCIÓN: Las ramas caídas pueden rebotar o “saltar” después de tocar el suelo, por lo cual es fundamental mantener el suelo despejado para proporcionar varias vías de escape. Limpie el área de trabajo y use protección para la cabeza.

La poda es la extracción de ramas secas o maleza para mantener la salud de la planta.

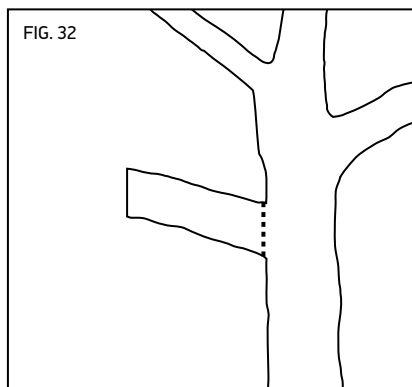
- Planee las vías de despeje antes de empezar a cortar y asegúrese de que no haya obstáculos. Sepa siempre cómo quitarse del camino de las ramas que caen.
- Asegúrese de que los transeúntes o ayudantes estén a una distancia segura de las ramas que caen. Los transeúntes o ayudantes no deben estar directamente en frente ni detrás del operador. Vea la Fig. 28.
- Mantenga un apoyo sólido en el piso y sostenga la motosierra firmemente con ambas manos. No se estire excesivamente. Nunca se suba a un árbol o a una escalera para alcanzar las ramas altas.
- Sujete firmemente las ramas que puedan resultar peligrosas.
- Use el equipo auxiliar apropiado.
- Poda las ramas más bajas antes de podar las más altas.
- Deje que la cadena de la sierra alcance la velocidad máxima antes de cortar.
- Aplique una presión ligera en la rama.
- Para las ramas largas (Fig. 30), corte primero el extremo de la rama (1) para aliviar la presión de la rama, y luego poda más cerca del tronco (2).



- Las ramas gruesas (10 cm de diámetro [más de 4 in]) pueden crear astillas o pellizcar la cadena cuando se hace un solo corte desde la parte superior. Para evitar pellizcar o astillar, primero haga un corte de alivio poco profundo en la superficie inferior de la rama (1), y luego corte la rama completamente desde la parte superior (2) (Fig. 31).

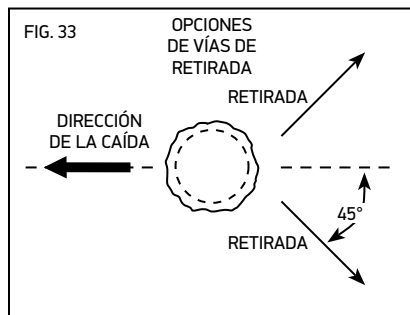


- Después de quitar la mayor parte de la rama, haga un corte suave cerca del tronco (Fig. 32).



TALA DE UN ÁRBOL

⚠ PRECAUCIÓN: Es probable que un árbol ruede o se deslice cuesta abajo después de ser talado. Planifique y despeje una vía de retirada antes de comenzar los cortes. La vía de retirada debe extenderse hacia atrás y de forma diagonal respecto a la parte trasera de la línea de caída esperada (Fig. 33).

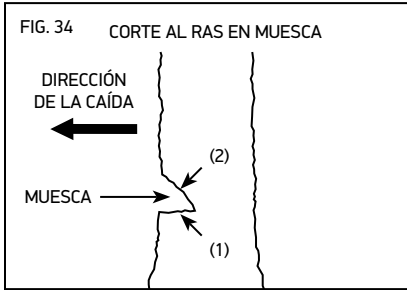


Talar es cortar un árbol.

- Antes de comenzar a talar, considere la inclinación natural del árbol, la ubicación de las ramas más grandes y la dirección del viento para evaluar la dirección en que caerá el árbol.
- Quite la suciedad, las piedras, la corteza suelta, los clavos, las grapas y el alambre del árbol donde se van a hacer los cortes de tala.
- Cuando dos personas están realizando al mismo tiempo operaciones de tronzado y tala, separe la operación de tala de la operación de tronzado por una distancia del al menos dos veces la altura de un árbol que se esté talando.
- Los árboles no deben talarse de una manera que pueda poner en peligro a cualquier persona, golpear cualquier línea de servicio público o causar daños a la propiedad. Si el árbol entra en contacto con una línea de servicio público, abandone el área inmediatamente y notifique a la compañía de servicios públicos.
- Use los clavos de metal en la parte delantera de la sierra para sujetar la sierra en la madera. Coloque el tope claveteado de metal en la madera y úselo como punto de apalancamiento para aumentar la estabilidad al cortar madera de diámetro grande.

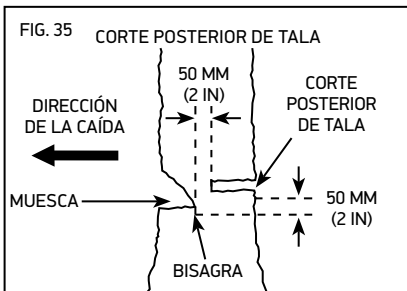
Corte al ras en muesca

- Primero, haga el corte a 1/3 del diámetro del árbol perpendicular a la dirección de la caída. Primero, realice el corte al ras en muesca en la parte inferior y de forma horizontal (1). Esto ayudará a evitar el pellizco de la cadena de la sierra o la barra de guía cuando se esté realizando el segundo corte (2) (Fig. 34).



Corte posterior de tala

- Luego, realice el corte posterior de tala al menos 50 mm (2 pulgadas) más arriba que el corte al ras en la muesca horizontal (Fig. 35). Mantenga el corte posterior de tala paralelo con el corte al ras en la muesca horizontal.



- Realice el corte posterior de tala de modo que quede suficiente madera para que actúe como bisagra. La madera en bisagra evita que el árbol se tuerza y caiga en la dirección incorrecta. No corte la bisagra.
- A medida que el corte de tala se acerca a la bisagra, el árbol debe comenzar a caer.

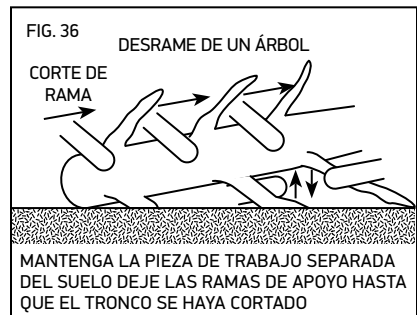
- Si hay alguna posibilidad de que el árbol no caiga en la dirección deseada o pueda mecarse hacia atrás y forzar la cadena de la sierra, deje de cortar antes de que el corte de tala esté completo, use cuñas de madera, plástico o aluminio para abrir el corte y deje caer el árbol en la línea de caída deseada.
- Cuando el árbol comience a caer, quite la motosierra del corte, detenga el motor, baje la motosierra, luego use la vía de retirada planificada.
- Permanezca alerta por si las ramas caen por encima de su cabeza y cuide su posición.

DESARAME DE UN ÁRBOL

⚠ PRECAUCIÓN: Las ramas bajo tensión pueden “rebotar” y golpear al operador o hacer que la motosierra quede fuera de control, lo cual puede causar lesiones personales. Siempre esté atento a la madera bajo tensión o que pueda golpear al operador o a la motosierra cuando se corte.

Desramar es eliminar las ramas de un árbol caído.

- Al desramar, deje las ramas inferiores más grandes para sostener el tronco separado del suelo.
- Elimine las ramas pequeñas con un corte.
- Las ramas bajo tensión deben cortarse desde abajo hacia arriba para evitar forzar la cadena de la sierra (Fig. 36).



TRONZADO DE UN TRONCO

⚠ PRECAUCIÓN: Tronzar troncos bajo tensión aumenta la posibilidad de rebote.

Use uno de los métodos a continuación para sostener el tronco cuando esté tronzando.

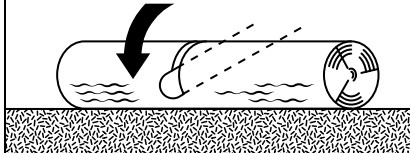
Tronzar es cortar un tronco en trozos. Es importante asegurarse de que su posición de apoyo sea firme y el peso esté distribuido firmemente en ambos pies. Cuando sea posible, se debe levantar el tronco y apoyarlo mediante el uso de ramas, troncos o topes.

- Cuando el tronco esté apoyado en toda su longitud, corte desde arriba (tronzado superior) (Fig. 37).

FIG. 37

EL TRONCO SE APOYA
A LO LARGO DE TODA SU LONGITUD

CORTE DESDE LA PARTE SUPERIOR (TRONZADO SUPERIOR) EVITE CORTAR TIERRA



- Cuando el tronco esté apoyado sobre un extremo, corte 1/3 de diámetro desde la parte inferior (tronzado inferior), luego haga el corte final, tronzado superior, para unirlos con el primer corte (Fig. 38).

FIG. 38

EL TRONCO SE APOYA
EN UN EXTREMO

2.DO CORTE DE TRONZADO SUPERIOR
(2/3 DEL DIÁMETRO) QUE COINCIDA CON EL
1.ER CORTE (PARA EVITAR EL PELLIZCADO)



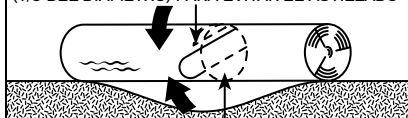
1.ER CORTE DE TRONZADO INFERIOR (1/3 DEL
DIÁMETRO) PARA EVITAR EL ASTILLADO

- Cuando el tronco esté apoyado en ambos extremos, corte 1/3 del diámetro desde el tronzado superior, luego haga el corte final, tronzado inferior de los últimos 2/3 para unirlos con el primer corte (Fig. 39).

FIG. 39

TRONZADO DE UN TRONCO

1.ER CORTE DE TRONZADO SUPERIOR
(1/3 DEL DIÁMETRO) PARA EVITAR EL ASTILLADO



2.DO CORTE DE TRONZADO INFERIOR (2/3 DEL
DIÁMETRO) QUE COINCIDA CON EL 1.ER CORTE
(PARA EVITAR EL PELLIZCADO)

- Cuando esté tronzando en una pendiente, permanezca siempre sobre el lado cuesta arriba del tronco (Fig. 40).

FIG. 40

TRONZADO EN UNA PENDIENTE

AL CORTAR PERMANEZCA
SOBRE EL LADO CUESTA
ARRIBA PORQUE EL TRONCO
PUEDE RODAR



- Para mantener un control completo durante el corte transversal, libere la presión de corte cerca del extremo del corte sin relajar el agarre de las asas de la motosierra.
- No deje que la cadena entre en contacto con el suelo.
- Luego de completar el corte, espere que la cadena se detenga antes de mover la motosierra.
- Detenga siempre el motor antes de moverse de un árbol a otro.

Afilado con PowerSharp®

⚠ ADVERTENCIA: PowerSharp no debe utilizarse en presencia de materiales extremadamente inflamables como gasolina y acetileno.

⚠ PRECAUCIÓN: El afilado con el sistema PowerSharp produce chispas de baja energía.

⚠ PRECAUCIÓN: El sistema de afilado integrado de PowerSharp es para usarlo exclusivamente con la cadena PowerSharp. Nunca intente afilar otra cadena con el afilador integrado. Dañará la cadena y el afilador.

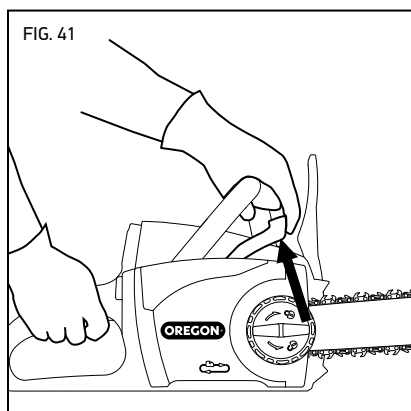
INTRODUCCIÓN A POWERSHARP®

Esta motosierra cuenta con el sistema de afilado integrado PowerSharp, una manera rápida y fácil de afilar la cadena en la sierra. Es el momento de afilar la cadena de la sierra cuando los cortes toman más tiempo o las virutas de madera se vuelven más pequeñas y se convierten en aserrín.

AFILADO DE LA CADENA DE LA SIERRA

IMPORTANTE: La cadena PowerSharp usa exclusivos cortadores de afilado superior y solo puede afilarse con un afilador PowerSharp original.

- Con la sierra a máxima velocidad, levante ligeramente la palanca del PowerSharp de 3 a 5 segundos (Fig. 41). Se verán chispas cuando los cortadores entren en contacto con la piedra de afilar.



- Realice una prueba de corte para determinar si la cadena se ha afilado suficientemente. Si no es así, repita el procedimiento de afilado hasta que la cadena esté suficientemente afilada.

IMPORTANTE: No aplique demasiada fuerza al afilar. La fuerza excesiva puede reducir el rendimiento de la piedra de afilar.

IMPORTANTE: Es normal ver una pequeña cantidad de chispas y humo durante el afilado a medida que los cortadores entran en contacto con la piedra y la fricción calienta la cadena.

CUÁNDO SE DEBE REEMPLAZAR LA PIEDRA PARA AFILAR

La piedra de afilar está diseñada para desgastarse al mismo ritmo que la cadena. Siempre reemplace la piedra al reemplazar la cadena, aún si parece tener más vida útil. Consulte la sección "Reemplazo de una cadena de sierra y una piedra de afilar desgastadas" en este manual.

Mantenimiento y limpieza



⚠ ADVERTENCIA: La omisión de identificación y reemplazo de piezas dañadas o desgastadas puede causar lesiones personales graves. Inspeccione la motosierra regularmente. La inspección regular es el primer paso para el mantenimiento adecuado. Siga las pautas establecidas a continuación para maximizar la seguridad y la satisfacción. Reemplace cualquier pieza dañada o excesivamente desgastada inmediatamente.

⚠ ADVERTENCIA: Una herramienta de batería con el módulo de la batería conectado siempre está en condiciones de funcionar y puede arrancar accidentalmente. Extraiga el paquete de batería de la motosierra antes de inspeccionarla, limpiarla o realizar el mantenimiento.

⚠ PRECAUCIÓN: Al limpiar la motosierra, no la sumerja en agua ni en otros líquidos.

Inspección

Antes de cada uso, y si la motosierra se ha dejado caer, revise las siguientes partes:

- Asas: las asas delantera y trasera no deben tener grietas ni otros daños. Deben estar limpias y secas.
- Protector frontal: el protector frontal debe estar libre de daños y capaz de moverse fácilmente hacia delante y hacia atrás. Al moverse, el protector frontal debe activar el freno de la cadena.
- Barra de guía: la barra debe estar recta y no debe estar astillada, agrietada ni desgastada de manera excesiva.
- Cadena de la sierra: la cadena debe estar correctamente tensada y afilada y los componentes no deben estar astillados, agrietados ni desgastados de manera excesiva. Consulte las secciones "Tensado de la cadena de la sierra" y "Afilado con PowerSharp®".

- Cubierta lateral: la cubierta lateral no debe estar agrietada ni dañada. Debe encajar perfectamente en el cuerpo de la sierra, sin deformaciones. Asegúrese de que el retén de la cadena no esté agrietado.
- Módulo de la batería: el paquete de batería debe estar limpio, seco y no debe mostrar signos de punción, impacto ni de cualquier otro daño. Los contactos deben estar limpios, secos y libres de suciedad.
- Puerto de la batería: el puerto y los contactos de la batería deben estar limpios, secos y libres de suciedad.
- Freno de la cadena: pruebe el freno de la cadena para asegurarse de que esté funcionando correctamente. Consulte la sección "Prueba del freno de la cadena" en "Uso general".
- Nivel de aceite: asegúrese de que el depósito de aceite esté lleno antes de utilizar el producto. Consulte la sección "Llenado del depósito de aceite de la barra y la cadena".
- Engrasador automático: cuando la motosierra está en funcionamiento sin que la barra de guía ni la cadena estén colocadas, se filtra una pequeña cantidad de aceite desde el orificio de la almohadilla de la barra. Consulte "Cebado del engrasador".
- Cubierta del motor: verifique que no haya grietas en la cubierta ni suciedad en las rejillas de entrada de aire.

Inspeccione periódicamente las siguientes piezas:

- Rueda dentada de accionamiento: busque surcos profundos, dientes rotos o zumbidos.
- Engranaje tensor de la cadena: inspeccione el engranaje para ver si no hay grietas, astillas, tornillos sueltos, deformaciones u otros daños.
- Cabezal de corte, cubierta lateral inferior: asegúrese de que el perno de montaje no esté doblado, desmontado ni que la rosca esté cruzada y que la almohadilla de la barra y la brida de alineación estén intactas y libres de suciedad.
- Cargador: el cargador debe estar limpio, seco y no debe estar perforado ni dañado. La bandeja y los contactos de la batería deben estar libres de suciedad.

Tensado de la cadena de la sierra

IMPORTANTE: Tense únicamente la cadena de la sierra cuando la cadena esté fría. Una cadena caliente se puede contraer y dañar la barra de guía o la cadena a medida que se enfría.

Se debe tensar la cadena si esta no toca la parte inferior de la barra cuando la motosierra está apagada y fría.

Tense la cadena como se describe en la sección “Tensado de la cadena de la sierra” en la sección “Desempaque y armado” de este manual.

Reemplazo de una cadena de sierra y una piedra de afilar desgastadas

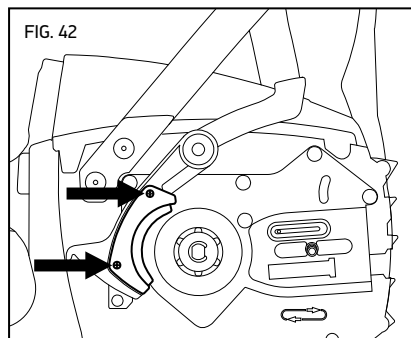
⚠ PRECAUCIÓN: Reemplace la cadena de sierra PowerSharp® y la piedra de afilar al mismo tiempo. Si no lo hace, puede disminuir el rendimiento o se puede dañar la cadena y/o la piedra de afilar.

⚠ PRECAUCIÓN: El sistema de afilado integrado de PowerSharp es para usarlo exclusivamente con la cadena PowerSharp. Quite la piedra de afilar cuando utilice otra cadena de sierra que no sea PowerSharp. Si no lo hace, puede dañar la cadena, el sistema de afilado y/o la motosierra.

La cadena de la sierra se debe reemplazar cuando se rompan sus dientes, cuando se agriete o se estire hasta el punto de que no se pueda mantener a una tensión adecuada o cuando no se pueda afilar.

Utilice guantes.

- Extraiga la batería.
- Afloje ligeramente la perilla de la cubierta lateral, pero no quite la cubierta lateral.
- Afloje el anillo tensor de la cadena (gírelo hacia la izquierda) tanto como sea posible.
- Afloje la perilla de la cubierta lateral y quite la cubierta lateral.
- Extraiga la cadena.
- Quite los dos tornillos que sostienen la piedra para afilar (Fig. 42).



- Quite la piedra.
- Asegúrese de que la palanca PowerSharp y el área circundante estén libres de suciedad.
- Coloque la nueva piedra en la palanca y vuelva a colocar los tornillos.
- Vuelva a colocar la barra de guía y la cadena de la sierra. Consulte la sección “Armado de la barra de guía y la cadena de la sierra” de este manual.
- Tense la cadena como se describe en la sección “Tensado de la cadena de la sierra” en la sección “Desempaque y armado” de este manual.

IMPORTANTE: La cadena de la sierra debe estar correctamente tensada antes de usarla. Consulte “Tensado de la cadena de la sierra” en la sección “Desempaque y armado” de este manual.

Mantenimiento de la barra de guía

⚠ ADVERTENCIA: Los bordes de una barra de guía desgastada, sobre todo los bordes de la ranura donde la cadena toca la barra, pueden estar muy afilados. Utilice protección adecuada para las manos.

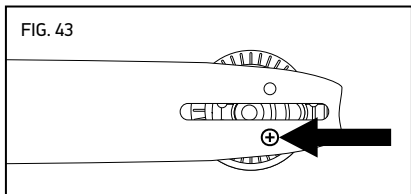
⚠ PRECAUCIÓN: La barra guía puede estar caliente después de cortar. Use guantes para evitar quemaduras.

Para que la barra se desgaste de manera pareja y maximizar su vida útil, voltee la barra de vez en cuando.

Utilice guantes.

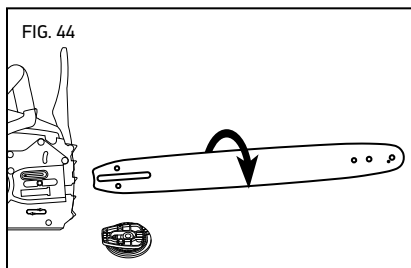
- Extraiga la batería.
- Afloje ligeramente la perilla de la cubierta lateral, pero no quite la cubierta lateral.
- Afloje el anillo tensor de la cadena (gírelo hacia la izquierda) tanto como sea posible.
- Afloje la perilla de la cubierta lateral y quite la cubierta lateral.
- Quite la barra y la cadena e inspeccione para ver si hay daños y desgaste.
- Remueva el tornillo de la parte posterior del engranaje tensor de la cadena y quite el engranaje tensor de la cadena de la barra de guía (Fig. 43).

FIG. 43



- Voltee la barra (Fig. 44).

FIG. 44



- Vuelva a colocar la barra de guía y la cadena de la sierra. Consulte la sección “Armado de la barra de guía y la cadena de la sierra” de este manual.
- Tense la cadena como se describe en la sección “Tensado de la cadena de la sierra” en la sección “Desempaquete y armado” de este manual.

Reemplazo de una barra de guía desgastada

⚠ ADVERTENCIA: Los bordes de una barra de guía desgastada, sobre todo los bordes de la ranura donde la cadena toca la barra, pueden estar muy afilados. Utilice protección adecuada para las manos.

La barra de guía se debe reemplazar cuando se agrieta o presenta un desgaste excesivo alrededor de los bordes, especialmente en la ranura donde la cadena de la sierra toca la barra. La barra también se debe reemplazar si la rueda dentada de la punta está desgastada, le faltan dientes o no gira uniformemente.

Utilice guantes.

- Extraiga la batería.
- Afloje ligeramente la perilla de la cubierta lateral, pero no quite la cubierta lateral.
- Afloje el anillo tensor de la cadena (gírelo hacia la izquierda) tanto como sea posible.
- Afloje la perilla de la cubierta lateral y quite la cubierta lateral.
- Extraiga la barra y la cadena.
- Quite el tornillo de la parte posterior del engranaje tensor de la cadena y quite el engranaje tensor de la cadena de la barra de guía como se describe en la sección “Mantenimiento de la barra de guía”.
- Coloque el engranaje tensor de la cadena en la nueva barra de guía y vuelva a colocar el tornillo.
- Vuelva a colocar la barra de guía y la cadena de la sierra. Consulte la sección “Armado de la barra de guía y la cadena de la sierra” de este manual.
- Tense la cadena como se describe en la sección “Tensado de la cadena de la sierra” en la sección “Desempaquete y armado” de este manual.

Reemplazo de un engranaje tensor de la cadena desgastado

Reemplace el engranaje tensor de la cadena si no sostiene la barra y la cadena con la tensión apropiada o si se ha dañado de otro modo.

Utilice guantes.

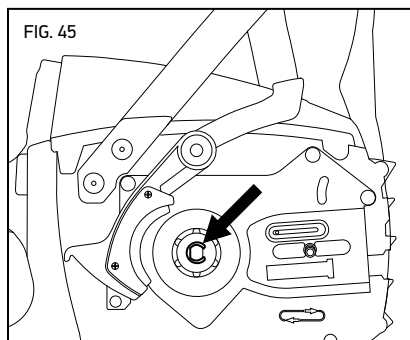
- Extraiga la batería.
- Afloje ligeramente la perilla de la cubierta lateral, pero no quite la cubierta lateral.
- Afloje el anillo tensor de la cadena (gírelo hacia la izquierda) tanto como sea posible.
- Afloje la perilla de la cubierta lateral y quite la cubierta lateral.
- Extraiga la barra y la cadena.
- Remueva el tornillo de la parte posterior del engranaje tensor de la cadena y quite el engranaje tensor de la cadena de la barra de guía.
- Coloque el nuevo engranaje tensor de la cadena sobre el lado de la barra de guía, frente a usted, y vuelva a colocar el tornillo.
- Vuelva a colocar la barra de guía y la cadena de la sierra. Consulte la sección "Armado de la barra de guía y la cadena de la sierra" de este manual.
- Tense la cadena como se describe en la sección "Tensado de la cadena de la sierra" en la sección "Desempaque y armado" de este manual.

Reemplazo de la rueda dentada de accionamiento

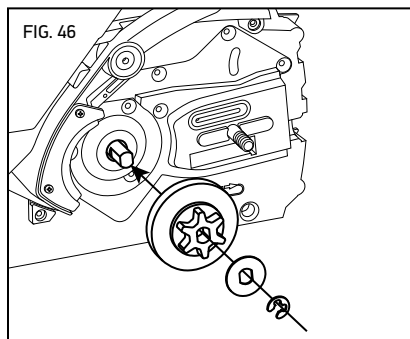
Reemplace la rueda dentada de accionamiento después de cada dos reemplazos de la cadena de la sierra, o cuando la rueda dentada esté dañada.

Use guantes y protección para los ojos.

- Extraiga la batería.
- Afloje ligeramente la perilla de la cubierta lateral, pero no quite la cubierta lateral.
- Afloje el anillo tensor de la cadena (gírelo hacia la izquierda) tanto como sea posible.
- Afloje la perilla de la cubierta lateral y quite la cubierta lateral.
- Extraiga la barra y la cadena.
- Use un destornillador plano y pequeño para abrir el broche en E haciendo palanca y extraerlo, y quite la arandela y la rueda dentada de accionamiento (Fig. 45).



- Inserte la rueda dentada de accionamiento nueva e instale el broche en E nuevo (Fig. 46).



- Vuelva a colocar la barra de guía y la cadena de la sierra. Consulte la sección “Armado de la barra de guía y la cadena de la sierra” de este manual.
- Tense la cadena como se describe en la sección “Tensado de la cadena de la sierra” en la sección “Desempaque y armado” de este manual.

Limpieza

⚠ ADVERTENCIA: Para reducir el riesgo de sufrir lesiones, extraiga el módulo de la batería antes de limpiar.

⚠ PRECAUCIÓN: Cuando limpie el cabezal de potencia de la motosierra, no lo sumerja en agua ni en otros líquidos.

Use guantes y protección para los ojos.

- Extraiga la batería.
- Quite las virutas de madera y otra suciedad del puerto de baterías. Asegúrese de que los contactos estén limpios y secos.
- Después del uso, limpie la suciedad de la cadena de la sierra y la barra de guía. Limpie el cabezal de potencia con un paño limpio humedecido con una solución a base de jabón neutro. Nunca use limpiadores ni solventes fuertes.
- Limpie siempre las virutas de madera, el aserrín y la suciedad de la ranura de la barra cuando reemplace la cadena.
- Asegúrese de que el engranaje tensor de la cadena esté libre de virutas y otra suciedad.

Paquete de batería

IMPORTANTE: La batería no contiene piezas que el usuario pueda reparar. No la desarme.

Las baterías de iones de litio tienen una duración predeterminada. Si la cantidad de tiempo de corte por carga se reduce de forma considerable, el módulo de la batería se encuentra al final de su vida útil y debe reemplazarse.

- Asegúrese de que el paquete de batería, incluidos los contactos, esté limpio, seco y no tenga indicios de perforación, impacto ni otro tipo de daño. Las baterías rotas pueden provocar incendios o despedir productos químicos peligrosos.
- Limpie los contactos sucios con un paño suave y seco. La suciedad o el aceite pueden provocar una conexión eléctrica deficiente, lo cual produce una pérdida de energía.

Cargador

- Desenchufe el cargador del tomacorriente.
- Limpie los contactos sucios con un paño suave y seco.

Información adicional sobre el mantenimiento

Para obtener información adicional sobre el mantenimiento de la cadena de la sierra, la barra de guía y la rueda dentada de accionamiento, consulte el Manual de seguridad y mantenimiento de Oregon® en <http://oregonproducts.com/maintenance/manual.htm>.

Solución de problemas

Utilice esta tabla para ver las posibles soluciones para los problemas potenciales de la motosierra. Si estas sugerencias no resuelven el problema, consulte la sección "Garantía y servicio técnico".

| SÍNTOMA | POSIBLE CAUSA | MEDIDAS RECOMENDADAS |
|--|---|---|
| El motor no funciona o funciona de forma intermitente. | El freno de la cadena está conectado | Antes de encender la motosierra, asegúrese de que el protector de manos esté en su máxima posición hacia atrás (freno de la cadena desconectado). Para saber cómo colocar el protector de manos en la posición correcta, consulte la sección "Arranque de la motosierra" de este manual. |
| | La batería está descargada | Recargue. Consulte la sección "Cómo cargar la batería" de este manual. |
| | El bloqueo del gatillo no está presionado | El bloqueo del gatillo no debe estar presionado. Consulte la sección "Arranque de la motosierra" de este manual. |
| | La batería no está completamente insertada | Limpie la suciedad del puerto de baterías y las terminales con un paño limpio y seco o un cepillo no conductor. |
| | Suciedad en la cubierta lateral | Extraiga el módulo de la batería y luego quite la cubierta lateral y limpie la suciedad. |
| | La batería está fría | Permita que la batería se caliente por encima de la temperatura operativa mínima de 0 °C (32 °F). |
| El motor funciona, pero la cadena no gira | La cadena no está enganchada en la rueda dentada de accionamiento | Vuelva a instalar la cadena y asegúrese de que los eslabones motrices de la cadena estén completamente asentados en la rueda dentada de accionamiento. Consulte la sección "Mantenimiento y limpieza" de este manual para conocer las instrucciones de instalación. |
| | La rueda dentada de la punta de la barra no gira | Reemplace la barra de guía. Consulte la sección "Reemplazo de una barra de guía desgastada" de este manual. |
| El freno de la cadena no se conecta | La suciedad evita el movimiento total del protector de manos | Limpie la suciedad del mecanismo externo del freno de la cadena. |
| | Posible funcionamiento defectuoso del freno de la cadena | Comuníquese con un local de servicio técnico de inmediato. ⚠ ADVERTENCIA: EL USO DE LA MOTOSIERRA SIN EL FRENO DE CADENA OPERATIVO PUEDE OCASIONAR LESIONES PERSONALES GRAVES. |
| La motosierra no corta adecuadamente | Tensión insuficiente de la cadena | Consulte la sección "Tensado de la cadena de la sierra" de este manual. |
| | Cadena desafilada | Vea la sección "Afilado con PowerSharp®" de este manual. |
| | Cadena instalada al revés | Consulte la sección "Armado de la barra de guía y la cadena de la sierra" de este manual. |
| | Cadena desgastada | Reemplace la cadena y la piedra. Están diseñadas para desgastarse al mismo ritmo. |
| | Cadena seca o excesivamente estirada | Revise el nivel del aceite. Rellene el depósito de aceite si fuera necesario. Consulte la sección "Llenado del depósito de aceite de la barra y la cadena" de este manual. Verifique que no haya una obstrucción en el sistema de aceite. Debería filtrarse una pequeña cantidad de aceite en la barra. |
| | La cadena no está en la ranura de la barra | Consulte la sección "Armado de la barra de guía y la cadena de la sierra" de este manual. |

| SÍNTOMA | POSIBLE CAUSA | MEDIDAS RECOMENDADAS |
|--|--|---|
| Sonido de alarma continuo cuando se aprieta el gatillo | El uso intensivo ha recalentado el motor | Deje que la sierra se enfríe y luego reanude el corte. |
| | El freno de la cadena está conectado | Antes de encender la motosierra, asegúrese de que el protector de manos esté en su máxima posición hacia atrás (freno de la cadena desconectado). Para saber cómo colocar el protector de manos en la posición correcta, consulte la sección "Arranque de la motosierra" de este manual. |
| La batería no se carga | La protección de la batería contra temperaturas altas/bajas está activada | Esto puede ocurrir cuando la sierra se usa continuamente o está expuesta a temperaturas ambientales elevadas. Permita que el módulo de la batería alcance la temperatura aceptable antes de cargarlo. Consulte la sección "Batería y cargador" de este manual. |
| | Los contactos de la batería o del cargador están sucios o dañados | Inspeccione los contactos del paquete de batería y del cargador. Si es necesario, limpie de acuerdo con las instrucciones de este manual. Vuelva a insertar el módulo de la batería en el cargador y asegúrese de que esté completamente asentado. |
| | La batería está llegando al final de su vida útil | Todas las baterías tienen una vida útil limitada. Si el módulo de la batería tiene más de dos años o ha sido recargado con frecuencia, tal vez sea hora de reemplazarlo. Reemplácelo únicamente con el paquete de batería especificado para esta motosierra. |
| | Hay una falla en el cargador | Verifique el funcionamiento en un lugar de servicio técnico aprobado. |
| Se obtiene poco tiempo de corte en relación con la carga de la batería | Cadena desafilada | Vea la sección "Afilado con PowerSharp®" de este manual. |
| | Cadena desgastada | Reemplace la cadena. Consulte la sección "Reemplazo de una cadena de sierra y una piedra de afilar desgastadas" en este manual. |
| | Cadena seca | Revise el nivel del aceite. Rellene el depósito de aceite si fuera necesario. Consulte la sección "Llenado del depósito de aceite de la barra y la cadena" de este manual. |
| | La cadena está demasiado tensa | Consulte la sección "Tensado de la cadena de la sierra" de este manual. |
| | La técnica de corte no es la adecuada | Siga las pautas que figuran en la sección "Corte" de este manual. |
| | Suciedad en la cubierta lateral | Extraiga el módulo de la batería y luego quite la cubierta lateral y limpie la suciedad. |
| | La batería no está completamente cargada | Recargue. Consulte la sección "Batería y cargador" de este manual. |
| El indicador del estado de carga muestra una luz naranja intermitente | Cortocircuito del cargador, excesiva corriente del cargador, exceso del límite de voltaje, circuito abierto en la batería o error en el tiempo de espera de carga/precarga | <ol style="list-style-type: none"> Asegúrese de que el cable del cargador esté conectado al cargador y al tomacorriente. Asegúrese de que el cargador reciba el voltaje correcto. Intente cargar otro módulo de la batería diseñado para este cargador. <p>Si esto no corrige el problema, verifique el funcionamiento en un lugar de servicio técnico aprobado.</p> |

Especificaciones y componentes

⚠ ADVERTENCIA: El uso de piezas de repuesto que no sean las mencionadas en esta guía aumenta el riesgo de sufrir lesiones. Nunca use accesorios de corte distintos a los descritos en este manual.

| COMPONENTES DE REPUESTO | | NÚMERO DE PIEZA |
|--|---|---|
| Barra de guía | 35 cm (14 in) | 140SDEA041 |
| | 40 cm (16 in) | 160SDEA041 |
| Cadena de sierra y piedra, PowerSharp® | 35 cm (14 in) 52 eslabones motrices | 560507 |
| | 40 cm (16 in) 56 eslabones motrices | 560510 |
| Módulo de la batería, modelo B425E | | 585527 |
| Módulo de la batería, modelo B600E | | 548208 |
| Módulo de la batería, modelo B650E | | 583684 |
| Cargador con cable, modelo C650 | | 594076 |
| Cargador con cable, modelo C750 | | 548185 |
| CARGADOR | MODELO C650 | MODELO C750 |
| Entrada | 100-240 V~ 50-60 Hz 60 W | 100-240 V~ 50-60 Hz 260 W |
| Entrada (EE. UU. y Canadá únicamente) | 120 V~ 60 Hz 60 W | 120 V~ 60 Hz 260 W |
| Salida | 41,5 V === 1,8 A | 41 V === 4,0 A |
| Cable de alimentación | N.º De pieza en EE. UU./Can.: 594076 N.º De pieza en Europa: 594078 N.º De pieza en El Reino Unido: 596303 N.º de pieza en Au./NZ.: 597130 | N.º De pieza en EE. UU./Can.: 585068 N.º De pieza en Europa: 585069 N.º De pieza en El Reino Unido: 585070 N.º de pieza en Au./NZ.: 585073 |
| MÓDULO DE LA BATERÍA | | |
| Tipo | Iones de litio | |
| Temperaturas de funcionamiento | De 0 °C a 40 °C (32 °F a 104 °F) | |
| Modelo | Capacidad, nominal | Voltaje, nominal |
| B425E | 2.6 Ah / 94 Wh | +36 V CC |
| B600E | 4.0 Ah / 144 Wh | +37 V CC |
| B650E | 6.0 Ah / 216 Wh | +37 V CC |
| MOTOSIERRA | | |
| Capacidad de aceite | 120 ml (4,1 oz) | |
| Aceite para la barra y la cadena | Marca Oregon® | |
| Peso en seco con B400E | 5,9 kg (12,9 lb) | |
| Peso en seco sin la batería, la barra ni la cadena | 3,8 kg (8,3 lb) | |
| Nivel de potencia del sonido | 100 dB (K = 2,5 dB) | |
| Vibración | 0,794 m/s ² (asa frontal) 1,891 m/s ² (asa trasera) | |
| Longitud máxima de la barra | 40 cm (16 in) | |
| Paso de la cadena | 3/8 in low profile - 91 | |
| Calibre de la cadena | 1,3 mm (0,050 in) | |
| Dientes de la rueda de cadena | 6 | |
| Velocidad de la cadena sin carga | 14,2 m/s (46,6 ft/s) | |

Garantía y servicio técnico

Garantía

Blount, Inc. ofrece una garantía de tres (3) años de duración para las Herramientas de batería y los Cargadores Oregon® registrados y de dos (2) años de duración para los módulos de Baterías inalámbricas Oregon® registrados a partir de la fecha de la compra original. Las Herramientas de batería, los Módulos de baterías y los Cargadores Oregon® registrados tienen una garantía de dos (2) años de duración si se utilizan para fines comerciales. Esta garantía limitada se aplica a los productos del Sistema a herramientas de batería marca Oregon®. Durante el período de garantía, Blount reemplazará o, según su decisión, reparará sin cargo toda pieza o producto adquirido por el comprador original y cuyo material o fabricación presenten fallas según el criterio de Blount después de examinarlos. El comprador deberá hacerse responsable de los gastos de transporte y de cualquier gasto por la extracción de cualquier pieza que deba ser reemplazada durante la vigencia de esta garantía.

Para registrar su producto, visite la sección "Support" (Soporte) de **OregonCordless.com**.

Información sobre servicio técnico y soporte

Visítenos en Internet, en **OregonCordless.com**, a fin de obtener información sobre los centros de servicio técnico, o comuníquese con nuestro departamento de servicio al cliente llamando al 1.888.313.8665, para obtener asistencia, asesoramiento técnico adicional, reparaciones, piezas de repuesto o registrar un producto.

Por su seguridad, use en las motosierras solo repuestos originales de fábrica. Nuestro centro de atención al cliente cuenta con personal capacitado que le brindará un servicio de asistencia y soporte técnico eficiente al momento de ajustar, reparar o cambiar cualquier producto del Sistema a herramientas a batería Oregon®.

Índice

| | |
|---|-----|
| Instruções importantes de segurança | 113 |
| Definições dos sinais de segurança | 113 |
| Advertências gerais de segurança de ferramentas elétricas | 113 |
| Segurança da área de trabalho | 113 |
| Segurança elétrica | 113 |
| Segurança pessoal | 114 |
| Uso e cuidados de ferramentas elétricas | 114 |
| Uso e cuidados de ferramentas a bateria | 115 |
| Manutenção | 115 |
| Advertências de segurança da motosserra | 115 |
| Causas do coice e prevenção do operador | 118 |
| Dispositivos de segurança contra coice nesta serra | 118 |
| Armazenamento, transporte e descarte | 119 |
| Segurança da bateria | 120 |
| Segurança do carregador | 121 |
| Símbolos e rótulos | 122 |
| Nomes e termos da motosserra | 123 |
| Identificação do produto | 124 |
| Desembalagem e montagem | 125 |
| Verificando a posição do protetor de mão dianteiro | 125 |
| Abastecendo o reservatório de óleo do sabre e da corrente | 126 |
| Montando o sabre e a corrente | 127 |
| Tensionando a corrente da motosserra | 128 |
| Operando a serra | 130 |
| Bateria e carregador | 130 |
| Operação geral | 132 |
| Cortando | 133 |
| Afiando com PowerSharp® | 138 |
| Manutenção e limpeza | 139 |
| Inspeção | 139 |
| Tensionando a corrente da motosserra | 140 |
| Substituindo uma corrente desgastada e uma pedra de afiação | 140 |
| Manutenção do sabre | 141 |
| Substituindo um sabre desgastado | 141 |
| Substituindo uma engrenagem de tensão da corrente | 142 |
| Substituindo a roda dentada | 142 |
| Limpeza | 143 |
| Bateria | 143 |
| Carregador | 143 |
| Informações adicionais de manutenção | 143 |
| Solução de problemas | 144 |
| Especificações e componentes | 146 |
| Garantia e manutenção | 147 |

Instruções importantes de segurança

Introdução

Esta motosserra é projetada para o uso eventual em trabalhos leves. Ela não é projetada para o corte de grandes árvores ou de toras de grandes diâmetros. Esta motosserra não é projetada para o serviço em árvores. Não corte árvores ou madeiras que tenham um diâmetro maior que o comprimento de corte efetivo da motosserra, 38 cm (15 polegadas).

Definições dos sinais de segurança

| SÍMBOLO | SINAL | SIGNIFICADO |
|---------|--------------------|--|
| | ADVERTÊNCIA | Indica um perigo potencial que pode causar lesões sérias. |
| | CUIDADO | Indica um perigo potencial que pode danificar seriamente a ferramenta ou causar lesões pequenas a moderadas. |
| | IMPORTANTE | Seguir esta instrução aumentará a satisfação com a ferramenta. |

Advertências gerais de segurança de ferramentas elétricas

⚠️ ADVERTÊNCIA: Leia todas as advertências e instruções de segurança. A falha em seguir todas as advertências e instruções pode resultar em choque elétrico, incêndio e/ou lesão pessoal séria.



Guarde todas as advertências e instruções para consulta futura. O termo “ferramenta elétrica” nas advertências se refere à ferramenta alimentada pela rede elétrica (com fio) ou à ferramenta alimentada por bateria (sem fio).

Segurança da área de trabalho

- **Mantenha a área de trabalho limpa e bem iluminada.** Áreas congestionadas ou escuras são um convite para acidentes.
- **Não opere a ferramenta elétrica em atmosferas explosivas, como na presença de gases, poeira ou líquidos inflamáveis.** Ferramentas elétricas podem gerar faíscas que podem inflamar a poeira ou os vapores.
- **Mantenha as crianças e os transeuntes afastados ao operar uma ferramenta elétrica.** Distrações podem fazer com que você perca o controle.

Segurança elétrica

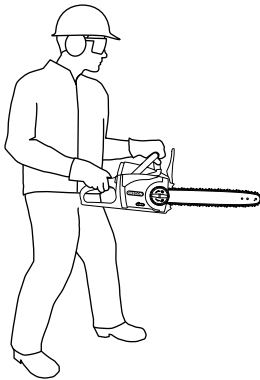
- **Os plugues da ferramenta elétrica deverão corresponder à tomada. Nunca modifique o plugue. Não use qualquer plugue de adaptador com ferramentas elétricas aterradas.** Plugues não modificados e tomadas correspondentes reduzirão o risco de choque elétrico.

- **Evite o contato do corpo com superfícies aterradas, como canos, radiadores, fogões e geladeiras.** Há um risco maior de choque elétrico se seu corpo estiver aterrado.
- **Não exponha ferramentas elétricas à chuva ou a condições de umidade extrema.** A entrada de água em uma ferramenta elétrica aumentará o risco de choque elétrico.
- **Não abuse do fio. Nunca use o cabo para carregar, puxar ou desconectar a ferramenta elétrica. Mantenha o cabo longe de calor, óleo, pontas afiadas ou peças móveis.** Cabos danificados ou emaranhados aumentam o risco de choque elétrico.
- **Ao operar uma ferramenta elétrica ao ar livre, use uma extensão adequada ao uso externo.** O uso de um fio adequado ao uso externo reduz o risco de choque elétrico.
- **Se operar uma ferramenta elétrica em um local úmido for inevitável, use uma alimentação protegida por interruptor de circuito de falha aterrado (GFCI).** O uso de um GFCI reduz o risco de choque elétrico.

Segurança pessoal

- **Permaneça alerta, preste atenção ao que está fazendo e use o bom senso ao operar uma ferramenta elétrica. Não use a ferramenta elétrica quando estiver cansado ou sob a influência de drogas, álcool ou medicamentos.** Um momento de desatenção durante a operação de ferramentas elétricas pode causar lesões pessoais graves.
- **Use equipamento de proteção individual. Sempre use proteção ocular.** Equipamento de proteção, como máscara contra poeira, botas antiderrapantes, calças compridas, capacetes ou proteção auricular, usado para condições adequadas, reduzem o risco de lesões pessoais.
- **Evite o acionamento não intencional. Verifique se a chave comutadora está na posição desligado antes de conectar à energia e/ou bateria, pegar ou carregar a ferramenta.** Carregar ferramentas elétricas com o dedo sobre a chave comutadora ou ligar ferramentas elétricas que estejam com a chave comutadora ligada é um convite a acidentes.
- **Remova qualquer chave de ajuste ou de aperto antes de ligar a ferramenta elétrica.** Um alicate ou uma chave presa a uma peça giratória da ferramenta pode causar lesão pessoal.
- **Não se estique demais. Mantenha a base e o equilíbrio corretos a todo momento (Fig. 1).** Isso permite um melhor controle da ferramenta em situações inesperadas.

FIG. 1



- **Vista-se adequadamente. Não use roupas largas ou joias. Mantenha o cabelo, roupas e luvas longe de qualquer peça móvel.** Roupas largas, joias ou cabelo comprido podem ficar presos nas peças móveis.
- **Se houver dispositivos para a conexão de conjuntos de extração e coleta de poeira, certifique-se de que eles estejam conectados e sejam usados corretamente.** O uso de coleta de poeira pode reduzir os riscos relacionados à poeira.

Uso e cuidados de ferramentas elétricas

- **Não force a ferramenta elétrica. Use a ferramenta elétrica correta para sua aplicação.** A ferramenta elétrica correta executará a tarefa de uma forma melhor e mais segura na velocidade para a qual foi projetada.
- **Não use a ferramenta elétrica se a chave comutadora não ligá-la ou desligá-la.** Qualquer ferramenta elétrica que não pode ser controlada pela chave comutadora é perigosa e precisa ser reparada.
- **Desconecte a tomada da fonte de alimentação e/ou a bateria da ferramenta antes de fazer qualquer ajuste, mudar acessórios ou armazenar a ferramenta.** Essas medidas preventivas de segurança reduzem o risco de acionar a ferramenta acidentalmente.
- **Guarde ferramentas elétricas ociosas fora do alcance de crianças e não permita que pessoas não familiarizadas com a ferramenta ou com estas instruções operem a ferramenta elétrica.** Ferramentas elétricas são perigosas nas mãos de usuários não treinados.
- **Faça a manutenção das ferramentas elétricas. Verifique a existência de desalinhamento ou a aderência de peças móveis, a quebra de peças e qualquer outra condição que possa afetar a operação da ferramenta elétrica. Caso a ferramenta esteja danificada, faça sua manutenção antes de usá-la.** Muitos acidentes são causados por ferramentas elétricas com manutenção deficiente.

- **Mantenha as ferramentas de corte afiadas e limpas.** Ferramentas com bordas cortantes com manutenção adequada têm menos chance de aderirem e são mais fáceis de controlar.
- **Use a ferramenta elétrica, seus acessórios e peças de acordo com estas instruções, levando em consideração as condições de trabalho e a tarefa a ser executada.** O uso de ferramentas elétricas para operações diferentes das previstas pode causar uma situação de risco.

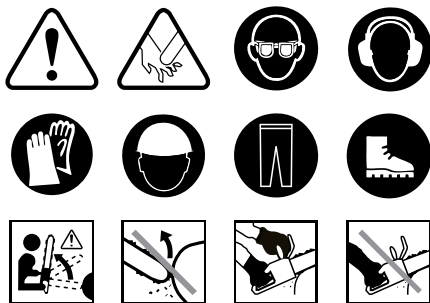
Uso e cuidados de ferramentas a bateria

- **Recarregue somente com o carregador especificado pelo fabricante.** Um carregador criado para um tipo de bateria pode criar um risco de incêndio quando usado com outra bateria.
- **Use a motosserra somente com as baterias especificamente designadas.** O uso de qualquer outra bateria pode criar risco de lesão e incêndio.
- **Quando a bateria não estiver sendo usada, mantenha-a longe de objetos metálicos, como cliques de papel, moedas, chaves, pregos, parafusos ou outros objetos metálicos pequenos que podem fazer uma conexão entre um terminal e outro.** Colocar os terminais da bateria em curto pode provocar queimaduras ou incêndio.
- **Em condições abusivas, pode sair líquido da bateria; evite o contato.** Se ocorrer contato acidentalmente, lave bem com água. Se o líquido entrar em contato com os olhos, procure ajuda médica. O líquido que sai da bateria pode causar irritação ou queimaduras.
- **Não desmonte a motosserra, o carregador ou a bateria, nem tente consertar esses produtos. Isso pode resultar em choque elétrico.**

Manutenção

Providencie a manutenção da sua ferramenta elétrica por um técnico de manutenção qualificado, usando apenas peças de reposição idênticas. Isso garantirá que a segurança da ferramenta elétrica seja mantida.

Advertências de segurança da motosserra



- **Mantenha todas as partes do corpo longe da corrente quando a motosserra estiver em funcionamento. Antes de ligar a motosserra, verifique se ela não está em contato com alguma coisa.** Um momento de desatenção ao operar motosserras pode fazer com que suas roupas ou seu corpo fique preso na corrente.
- **Sempre segure a motosserra com a mão direita na empunhadura traseira e a mão esquerda na empunhadura dianteira.** Segurar a motosserra com uma configuração de mãos inversa aumenta o risco de lesões e não deve ser feito. **OBSERVAÇÃO:** Em motosserras projetadas com o sabre no lado esquerdo, a referência de posicionamento da mão direita e da mão esquerda é invertida.
- **Use óculos de segurança e proteção auricular. Outros equipamentos de proteção para a cabeça, mãos, pernas e pés são recomendados.** A roupa de proteção adequada reduz o risco de lesões por detritos móveis ou contato acidental com a corrente.
- **Não opere uma motosserra em uma árvore.** A operação de uma motosserra quando estiver em cima de uma árvore pode causar lesões.
- **Sempre mantenha a base correta e opere a motosserra somente quando estiver em uma superfície fixa, segura e nivelada.** Superfícies escorregadias ou instáveis, como escadas, podem causar uma perda de equilíbrio ou controle da motosserra.
- **Siga as instruções de afiação e de manutenção do fabricante da motosserra.** A diminuição da altura de profundidade pode levar a uma maior chance de coice.

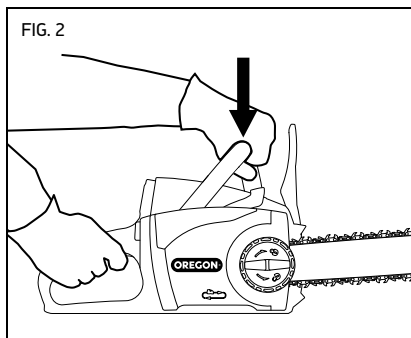
⚠ PERIGO: O contato com uma serra em movimento causará lesão pessoal grave. Mantenha as mãos e o corpo longe da motosserra em movimento.

⚠ PERIGO: O contato com fios elétricos durante o uso pode fazer com que peças de metal expostas da ferramenta se energizem, causando lesões pessoais graves. Sempre segure a motosserra pelas superfícies de controle isoladas durante a operação.

⚠ ADVERTÊNCIA: O uso de uma motosserra montada inadequadamente pode causar graves lesões pessoais. Use esta ferramenta somente depois que ela tiver sido adequadamente montada de acordo com a seção “Desembalagem e montagem” deste manual.

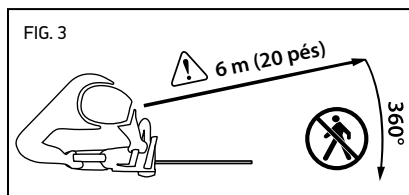
⚠ ADVERTÊNCIA: Momentos de desatenção durante a operação da motosserra podem causar lesões pessoais graves. Antes de ligar a motosserra, minimize todas as distrações, mantenha as partes do corpo longe da corrente e verifique se a corrente não está em contato com nenhum objeto.

⚠ ADVERTÊNCIA: O uso de somente uma das mãos para operar a motosserra pode causar lesão pessoal. Use ambas as mãos ao operar a motosserra (veja a Fig. 2).



⚠ CUIDADO: O contato com detritos móveis, ou o contato acidental com a corrente, pode causar lesão pessoal. Sempre use equipamentos de proteção para a cabeça, ouvidos, mãos, pernas e pés.

⚠ CUIDADO: Estabeleça uma zona de segurança de transeuntes de 6 m (20 pés) antes de operar este equipamento. A zona de segurança de transeuntes é um círculo de 6 m (20 pés) em torno do operador que deve ficar livre de transeuntes, crianças e animais de estimação (Fig. 3).



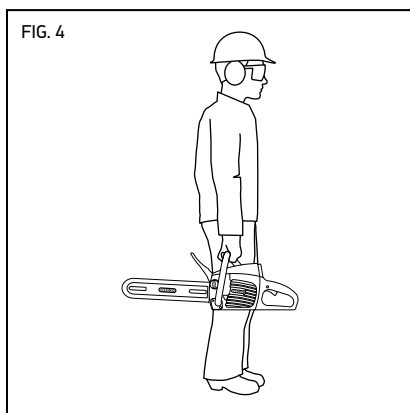
⚠ CUIDADO: Galhos sob tensão podem “ricochetear” e entrar em contato com o operador ou deixar a motosserra fora de controle, causando lesão pessoal. Esteja sempre alerta quanto a madeira sob tensão, que pode atingir o operador ou a motosserra após o corte.

⚠ CUIDADO: A tensão ou lubrificação incorreta da corrente podem aumentar a chance de lesões decorrentes do coice. Sempre siga as instruções da seção “Tensionando a corrente” neste manual.

⚠ CUIDADO: Empunhaduras molhadas ou escorregadias podem causar uma perda de controle da ferramenta e podem causar lesão pessoal. Mantenha sempre as empunhaduras secas, limpas e livres de óleo ou graxa.

⚠ CUIDADO: O uso da motosserra em aplicações diferentes da sua finalidade original pode representar uma condição de risco. A motosserra é projetada apenas ao corte de pequenos galhos de madeira.

⚠ CUIDADO: Para evitar o contato acidental com a corrente durante o transporte, sempre encaixe a tampa da lâmina e mantenha as mãos e os dedos longe da área de acionamento (Fig. 4).



⚠ CUIDADO: O uso prolongado de ferramentas elétricas foi considerado causa de distúrbios vasculares, musculares ou neurológicos (como síndrome do dedo branco ou Síndrome de Raynaud). Para reduzir o risco de lesões, siga estas instruções:

- Use luvas e mantenha as mãos e o corpo aquecidos.
- Segure a motosserra com firmeza, mas não faça pressão excessiva e prolongada. Deixe a motosserra fazer o trabalho.
- Certifique-se de que o sistema de corte está com a manutenção adequada.
- Faça pausas frequentes.

A vibração em uso normal pode diferir dos valores declarados neste manual, dependendo do material que está sendo cortado, da manutenção do sistema de corte e outros fatores.

- **Ao cortar um galho que está sob tensão, tenha cuidado caso ele ricocheteie.** Quando a tensão nas fibras de madeira é liberada, o galho pode atingir o operador e/ou deixar a motosserra fora de controle.
- **Tenha muito cuidado ao cortar arbustos e árvores pequenas.** O material fino pode atingir a corrente e ser cortado em direção a você ou afetar seu equilíbrio.
- **Carregue a motosserra pela empunhadura principal com a ferramenta desligada e longe do seu corpo. Ao transportar ou armazenar a motosserra, sempre encaixe a tampa do sabre.** O manuseio correto da motosserra reduzirá a probabilidade de contato acidental com a corrente em movimento.
- **Siga as instruções de lubrificação, tensão da corrente e troca de acessórios. A corrente tensionada ou lubrificada incorretamente pode quebrar ou aumentar a chance de coices.**
- **Mantenha as empunhaduras secas, limpas e livres de óleo e graxa.** Empunhaduras oleosas e sujas são escorregadias e podem causar perda de controle.
- **Corte somente madeira. Não use a motosserra para outros fins.** Por exemplo: não use a motosserra para cortar plástico, alvenaria ou materiais de construção que não são de madeira. O uso da motosserra para operações diferentes das previstas podem causar uma situação de risco.
- **Use ambas as mãos ao operar a motosserra.**
- **A ferramenta, o sabre e a corrente podem ficar quentes após o corte. Use luvas para evitar queimaduras.**
- **Use equipamentos auxiliares apropriados e verifique se não estão danificados, se estão com a força adequada e posicionados com segurança.** Use equipamentos auxiliares somente para o fim previsto.

Causas do coice e prevenção do operador



O coice pode ocorrer quando a ponta do sabre encosta em um objeto ou quando a madeira fica muito próxima e belisca a corrente no corte.

O contato da ponta em alguns casos pode causar uma reação inversa brusca, levando o sabre para cima e para trás, na direção do operador.

A compressão na corrente ao longo da parte superior do sabre pode empurrar o sabre rapidamente para trás, na direção do operador.

Qualquer uma dessas reações pode fazer com que você perca o controle da serra e causar lesões graves. Não confie exclusivamente nos dispositivos de segurança embutidos na serra. Como um usuário de motosserras, você deve tomar medidas para manter seus trabalhos de corte livres de acidentes ou lesões.

O coice é o resultado do mau uso da ferramenta e/ou de procedimentos ou condições de operação incorretos e pode ser evitado tomando as devidas precauções, conforme abaixo:

- Segure firme, com os dedos circulando as empunhaduras da motosserra, com ambas as mãos na serra e posicione seu corpo e braços de forma que permita resistir a força do coice. A força do coice pode ser controlada pelo operador, se as devidas precauções forem tomadas. Não solte a motosserra.
- Não se estique demais e não corte objetos que estejam acima da altura do ombro. Isso ajuda a evitar o contato indesejado da ponta e permite um melhor controle da motosserra em situações inesperadas.
- Somente use sabres e correntes substitutos especificados pelo fabricante. Sabres e correntes incorretos podem causar a quebra da corrente e/ou coice.
- Siga as instruções de afiação e de manutenção do fabricante da motosserra. A diminuição da altura de profundidade pode levar a uma maior chance de coice.

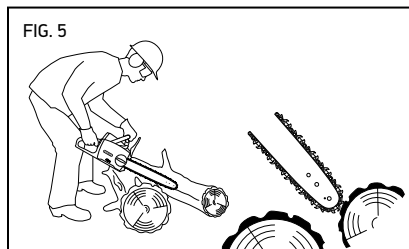
Dispositivos de segurança contra coice nesta serra

⚠ PERIGO: Nunca modifique ou tente desmontar o freio da corrente.

⚠ PERIGO: Use somente sabres e correntes substitutos especificados pela Oregon®. Sabres e correntes incorretos podem causar a quebra da corrente e/ou aumentar o risco de lesão por coice.

FREIO DA CORRENTE

Esta motosserra vem equipada com um freio da corrente, que interrompe o funcionamento do motor e o movimento da corrente quando ocorre um coice (Fig. 5). O freio da corrente pode ser ativado pelo movimento para frente do protetor de mão dianteiro à medida que a serra gira para trás durante o coice; ele também pode ser ativado por forças de inércia geradas por um coice.



CORRENTE

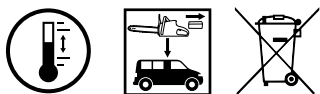
Esta motosserra vem equipada com uma corrente que atende aos requisitos de risco reduzido de coice da ANSI B175.1 quando testada em uma amostra representativa de motosserras. Para obter informações sobre a substituição da corrente, consulte “Especificações e componentes” neste manual.

SABRE

Esta serra vem equipada com um sabre com risco reduzido de coice que tem uma pequena ponta radial. Pontas radiais pequenas têm menos potencial de coice do que um sabre do mesmo tamanho com uma ponta radial maior.

Ao substituir o sabre, use somente o sabre listado neste manual para manter o desempenho de baixo risco de coice.

Armazenamento, transporte e descarte



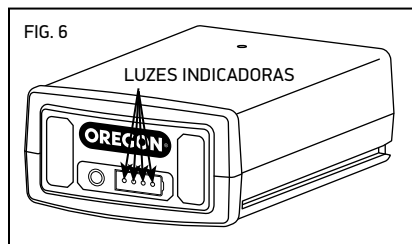
ARMAZENANDO A MOTOSSERRA

- Remova a bateria da motosserra.
- Limpe a motosserra completamente.
- Instale a tampa da lâmina.
- Armazene em um lugar seco.
- Mantenha fora do alcance de crianças ou animais.
- É normal que uma pequena quantidade de óleo infiltre no sabre quando a motosserra não estiver em uso. Para proteger contra infiltração, instale a tampa da lâmina e coloque um material absorvente embaixo do sabre.

ARMAZENAMENTO DA BATERIA

Ao armazenar a bateria por mais de nove meses, siga estas instruções:

- Remova a bateria da motosserra ou do carregador.
- Armazene em um lugar fresco e seco.
- Mantenha fora do alcance de crianças ou animais.
- Para prolongar a vida da bateria, nunca a armazene quando estiver completamente descarregada (sem luzes indicadoras acesas) (Fig. 6).



- Para obter a vida útil máxima da bateria, certifique-se de que a mesma seja carregada uma vez por ano ou quando o indicador LED mostrar apenas uma luz.
- Armazene em temperaturas entre -20 °C e 30 °C (-4 °F e 86 °F).

ARMAZENAMENTO DO CARREGADOR

- Remova a bateria do carregador.
- Desconecte o carregador da fonte de alimentação.
- Armazene em um lugar seco.
- Mantenha fora do alcance de crianças ou animais.

Consulte a seção “Manutenção e limpeza” para obter informações adicionais.

TRANSPORTE DA MOTOSSERRA

- Remova a bateria da motosserra.
- Instale a tampa da lâmina.
- Se desejado, drene o óleo do sabre e da corrente para reduzir infiltração.
- Carregue a serra com o sabre e a corrente voltados para trás do operador.
- As ferramentas podem se deslocar durante o transporte. Certifique-se de que a ferramenta esteja presa e não possa cair ou entrar em contato com pessoas ou propriedade.

TRANSPORTE DA BATERIA

Observe as respectivas regulamentações nacionais ao enviar baterias de íon de lítio, pois a rotulagem adequada é necessária.

DESCARTE DA MOTOSSERRA E DO CARREGADOR

O produto da Oregon® foi projetado e fabricado com material e componentes de alta qualidade que podem ser reciclados e reutilizados. Descarte este equipamento de maneira ecologicamente correta em um centro de reciclagem/coleta de resíduos da sua comunidade local.

DESCARTE DA BATERIA

Não descarte a bateria no lixo doméstico normal ou tampouco a incinere. Os órgãos de controle de resíduos e as agências de reciclagem locais têm instruções sobre o descarte ou a reciclagem adequados. As baterias podem ser coletadas, nos Estados Unidos ou no Canadá, através da Rechargeable Battery Recycling Corporation (Empresa de reciclagem de baterias recarregáveis). A Oregon® já pagou as despesas envolvidas na reciclagem das baterias. Devolva baterias em final de vida a um centro de varejo ou de reciclagem participante. Os locais para devolução e mais informações podem ser encontrados em www.call2recycle.org ou 1-800-8BATTERY.



Segurança da bateria

⚠️ ADVERTÊNCIA: Os cuidados inadequados com a bateria podem fazer com que ela vazee produtos químicos perigosos, superaqueça, solte fumaça, queime, inflame, exploda e/ou entre em ignição. Siga estas regras de segurança.

⚠️ CUIDADO: Não descarte a bateria no lixo doméstico e tampouco no fogo. As baterias de íon de lítio deverão ser recicladas por um reciclador autorizado.

IMPORTANTE: A exposição ao calor excessivo pode provocar a perda de desempenho e/ou a redução da vida útil da bateria. Não exponha a bateria a calor excessivo, como o interior de um veículo em clima quente.

- Não tente recarregar uma bateria não recarregável.
- Não desmonte ou modifique a bateria. Isso pode danificar características de segurança.
- Não conecte os terminais positivo (+) e negativo (-) a objetos metálicos ou tampouco armazene a bateria com objetos metálicos, como moedas ou parafusos. Isso pode causar curto-circuitos e gerar calor suficiente para causar queimaduras.
- Não incinere a bateria ou a exponha a calor excessivo. Isso pode derreter o isolamento ou danificar características de segurança.
- Não use, carregue ou armazene a bateria perto de uma fonte de calor acima de 80 °C (176 °F). Isso pode causar superaquecimento e curto-circuito interno.
- Não a exponha a condições de umidade extrema. Isso pode danificar características de segurança, resultar em carregamento com tensão e corrente extremamente altas e causar reações químicas anormais.
- Use somente o carregador especificado para a bateria e observe as precauções de segurança descritas em “Segurança do carregador”. O uso de outro carregador pode danificar características de segurança, resultar em carregamento com tensão e corrente extremamente altas e causar reações químicas anormais.
- Não use baterias da marca Oregon® em ferramentas de outra marca.
- Não golpeie, perfure ou arremesse a bateria e não use uma bateria danificada ou deformada.
- Se houver falha na recarga, não tente recarregar.
- Se a bateria exalar um odor, gerar calor, perder a cor ou ficar deformada ou parecer, de qualquer maneira, anormal durante o uso, recarga ou armazenamento, remova-a imediatamente da motosserra ou do carregador.
- Qualquer líquido que vazar da bateria é corrosivo, pode causar danos aos olhos e a pele e pode ser tóxico se for ingerido.

Segurança do carregador

INSTRUÇÕES DE SEGURANÇA IMPORTANTES

⚠ ADVERTÊNCIA: Risco de choque elétrico. Quando for usar ao ar livre, instale somente em um receptáculo GFCI protegido “Classe A”, resistente ao tempo e com a unidade de alimentação conectada ao receptáculo. Caso não seja fornecido, entre em contato com um electricista para que a instalação adequada seja realizada. Assegure-se de que a unidade de alimentação e o fio não interfiram com o fechamento completo da tampa do receptáculo.

IMPORTANTE: Este aparelho não deve ser usado por pessoas (incluindo crianças) com capacidade mental, física ou sensorial reduzida ou com falta de conhecimento, a menos que tenham recebido supervisão ou instrução de uma pessoa responsável por sua segurança. As crianças devem ser supervisionadas para garantir que não brinquem com os aparelhos.

IMPORTANTE: Use este carregador somente com o cabo de alimentação fornecido, certificando-se de que o plugue de entrada corresponda corretamente ao receptáculo de saída.

Ao usar produtos elétricos, sempre devem ser seguidas precauções básicas, incluindo o seguinte:

- **Leia e siga todas as instruções de segurança antes do uso.** Leia e siga todas as instruções que estejam no produto ou sejam fornecidas com o mesmo.
- **Guarde estas instruções.**
- **Não use um cabo de extensão.**
- **Cabos danificados ou emaranhados aumentam o risco de choque elétrico.** Não abuse do cabo. Nunca use o cabo para carregar, puxar ou desconectar a ferramenta elétrica. Mantenha o cabo longe de calor, óleo, pontas afiadas ou peças móveis.
- **Não exponha o carregador à chuva.** Somente para uso interno.
- **Não use a menos de 3 m (10 pés) de uma piscina.**
- **Não use em banheiros.**

Símbolos e rótulos

Estes símbolos e rótulos aparecem na motosserra, na bateria e no carregador.

| SÍMBOLO | NOME | EXPLICAÇÃO |
|---|--|--|
|  | Símbolo de alerta de segurança | Indica que o texto que se segue explica um perigo, uma advertência ou um cuidado. |
|  | Leia as instruções | O manual de instruções original contém importantes informações de segurança e funcionamento. Leia e siga as instruções cuidadosamente. |
|  | Use proteção ocular | Use proteção ocular ao operar a motosserra. |
|  | Use proteção auricular | Use proteção auricular ao operar a motosserra. |
|  | Use proteção para as mãos | Use luvas ao operar e manusear a motosserra. |
|  | Use proteção para a cabeça | Use proteção para a cabeça ao operar a motosserra. |
|  | Use calças compridas | Use calças compridas ao operar a motosserra. |
|  | Use proteção para os pés | Use botas fechadas adequadas ao operar a motosserra. |
|  | Potência sonora | O nível da potência sonora é 100 dB (K = 2,5 dB). |
|  | Cuidado com o coice | O coice pode causar lesões graves. |
|  | Contato da ponta do sabre | Evite o contato da ponta do sabre. |
|  | Ângulo do coice da motosserra | Destinado ao uso com motosserra de baixo coice. |
|  | Segurar com ambas as mãos | Segure a serra com ambas as mãos. |
|  | Segurar com uma das mãos | Não segure a serra com apenas uma das mãos. |
|  | Não usar uma escada de mão | Nunca suba em uma escada de mão ao usar a motosserra. |
|  | Não incinerar | Não descarte no fogo. |
|  | Não descartar | Não jogue no lixo doméstico. Leve para um reciclador autorizado. |
|  | Somente para uso interno | O carregador se destina somente para uso interno. |
|  | Temperatura de operação | Use a bateria somente em uma temperatura entre 0 °C e 40 °C (32 °F a 104 °F). |
|  | Ferramenta de corte | Ferramenta de corte. Não encoste na corrente sem desativar a motosserra primeiro removendo a bateria. |
|  | Remova a bateria | Remova a bateria antes de realizar qualquer manutenção. |
|  | Remova a bateria antes de transportar | Remova a bateria da motosserra antes do armazenamento, transporte ou descarte. |

Nomes e termos da motosserra

Accionador de aceleração: Um dispositivo que liga e desliga a motosserra.

Alça dianteira: A alça localizada na parte dianteira da motosserra que deve ser segurada com a mão esquerda.

Alimentador automático: O sistema que lubrifica automaticamente o sabre e a corrente.

Amortecedor pontudo: Um dispositivo encaixado na parte dianteira da serra que atua como um pivô quando entra em contato com uma árvore ou tora para facilitar o corte. Também conhecido como "pontos de corte".

Anel de tensão da corrente: O anel em volta do botão de liberação da tampa que, quando girado, ajusta a tensão da corrente.

Capturador da corrente: Um dispositivo para reter a corrente caso ela se rompa ou descarrile.

Coice: O movimento brusco para trás e/ou para cima do sabre, que ocorre quando a corrente próxima à área superior da ponta do sabre entra em contato com qualquer objeto (como uma tora ou um galho) ou quando a madeira se aproxima e belisca a corrente no corte.

Comprimento de corte efetivo: A distância aproximada entre a raiz do amortecedor pontudo e a borda externa do local de corte com o tensionador ajustado na posição do meio.

Corrente: Um loop de corrente com dentes cortantes, que corta a madeira e é acionada pelo motor e suportada pelo sabre. Às vezes, simplesmente chamada de "corrente".

Corrente de baixo coice: Uma corrente que cumpre os requisitos de desempenho com baixo coice da ANSI B175.1 e CSA Z62.3.

Corte do chanfro: Um chanfro em uma árvore para direcionar a queda da mesma.

Corte reverso da derrubada: Em uma operação de derrubada de árvores, o corte final feito no lado oposto da árvore em relação ao corte do chanfro.

Coxim do sabre: O coxim no motor que ajuda a garantir o alinhamento correto do sabre.

Eixo de montagem: A protrusão rosqueada no flange de alinhamento que se estende pelo entalhe do sabre.

Elo: O elo em formato de barbatana da corrente que se encaixa na ranhura do sabre.

Empunhadura traseira: A empunhadura localizada na parte traseira da motosserra que deve ser segurada com a mão direita.

Engrenagem de tensão da corrente: Uma engrenagem montada no sabre que ajusta a tensão da corrente durante a rotação.

Entalhe do sabre: A parte cortada do sabre que se encaixa no flange de alinhamento e no eixo de montagem.

Flange de alinhamento: A protrusão situada no coxim do sabre que se encaixa no entalhe da mesma.

Freio da corrente: Um dispositivo para parar ou travar a corrente da serra, ativado manualmente ou não quando ocorrer um coice.

Medida da corrente: A espessura do elo da corrente, onde ele se encaixa na ranhura do sabre, indicada pelo número da peça estampado nos elos.

Motor da motosserra: Uma motosserra sem a corrente ou sabre.

Passo da corrente: A distância entre quaisquer três rebites consecutivos da corrente dividida por dois, indicada pelo número da peça estampado nos elos.

Peças desgastáveis: Peças, como a corrente e o sabre, que podem se desgastar durante o uso e ser substituídas pelo usuário.

Protetor de mão dianteiro: Uma barreira estrutural entre a alça dianteira da motosserra e o sabre, que também serve como um mecanismo de ativação do freio da corrente.

Protetor de mão traseiro: Uma barreira estrutural na parte inferior direita da empunhadura traseira para proteger o operador em caso de ruptura ou descarrilamento da corrente.

Roda dentada: A peça dentada que movimenta a corrente.

Sabre: Uma estrutura com trilhos que suporta e guia a corrente. Às vezes, simplesmente chamado de "barra".

Sabre de coice reduzido: Um sabre com um raio máximo, conforme especificado na ANSI B175.1 e CSA Z62.3, e que demonstrou reduzir consideravelmente a ocorrência de coices.

Tampa do sabre: A tampa de plástico que protege o sabre e a corrente quando a motosserra não está em operação.

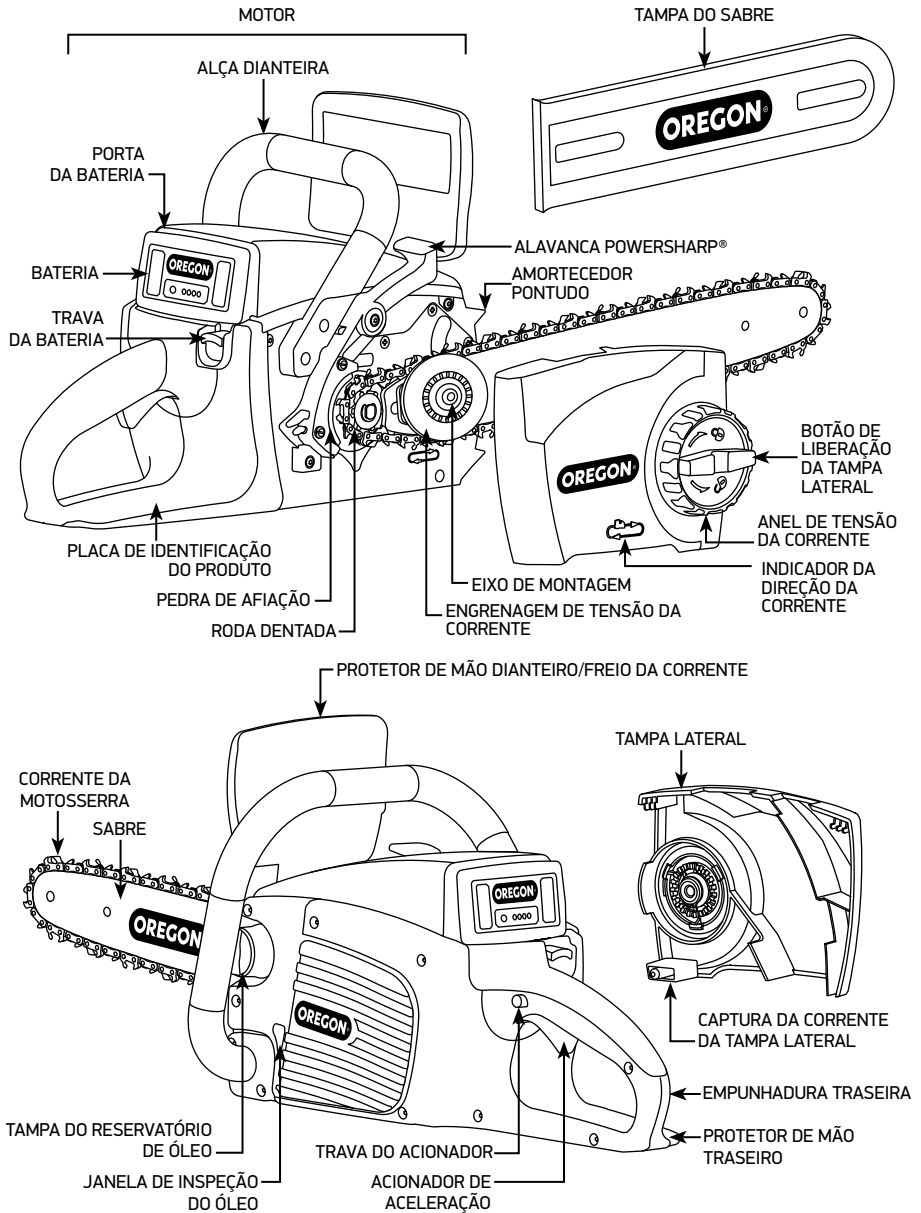
Tampa lateral: A tampa de plástico do motor que cobre a roda dentada e a engrenagem de tensão da corrente, e que é removida e instalada com o botão de liberação da tampa lateral.

Trava do accionador: Uma trava móvel que evita a operação involuntária do accionador de aceleração até que accionado manualmente.

Zona de segurança de transeuntes: Um círculo de 6 m (20 pés) em torno do operador que deve ficar livre de transeuntes, crianças e animais de estimação.

Identificação do produto

Conheça a motosserra



OBSERVAÇÃO: Consulte "Desembalagem e montagem" para ver a lista de itens incluídos.

Desembalagem e montagem

Desembalagem

O que vem na caixa?

É necessário montar a motosserra antes do uso. Estes itens são fornecidos com a motosserra:

- Motor
- Sabre
- Corrente
- Tampa da lâmina
- Engrenagem de tensão da corrente
- Anel de tensão da corrente
- Parafuso de tensão da corrente
- Óleo do sabre e da corrente
- Carregador e cabo de alimentação (se for o caso)
- Bateria (se for o caso)

Depois de retirar a motosserra da caixa, inspecione-a cuidadosamente para garantir que não tenham ocorrido danos durante o transporte e que nenhuma peça esteja faltando. Em caso de dano ou falta de peças, não use a motosserra. Entre em contato com o Sistema de ferramentas à bateria Oregon® pelo telefone 888.313.8665, para solicitar peças de reposição.

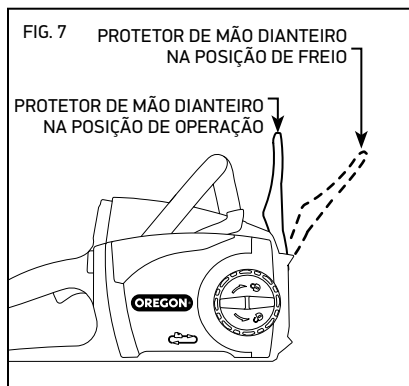
Montagem

⚠ PERIGO: Para evitar lesões graves, não opere a motosserra sem o sabre, a corrente e a tampa lateral devidamente montados.

⚠ ADVERTÊNCIA: Não tente operar a motosserra se alguma peça estiver danificada ou ausente.

Verificando a posição do protetor de mão dianteiro

Após desembalar a motosserra, verifique a posição do protetor de mão dianteiro. A motosserra não funcionará com o freio engatado. Puxe o protetor de mão dianteiro para trás, na direção da alça dianteira antes da operação (Fig. 7).



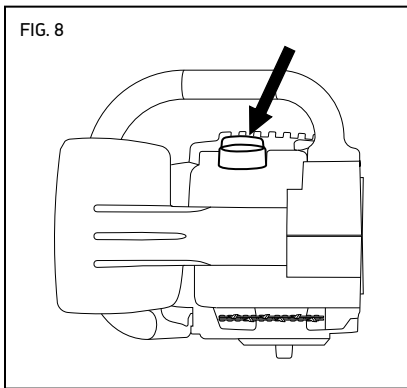
Abastecendo o reservatório de óleo do sabre e da corrente

IMPORTANTE: O óleo do sabre e da corrente previne o desgaste prematuro. Nunca opere a motosserra se o óleo não estiver visível. Verifique o nível do óleo com frequência e encha o reservatório se for necessário.

O óleo do sabre e da corrente é necessário para lubrificar o sabre e a corrente adequadamente. A motosserra é equipada com um alimentador automático que deposita óleo no sabre e na corrente durante a operação, mantendo-os adequadamente lubrificados. Use óleo Oregon® no sabre e na corrente para obter melhores resultados. Ele é especialmente projetado para fornecer baixa fricção e cortes mais rápidos.

NUNCA use óleo ou outros lubrificantes que não sejam especificamente projetados para o uso no sabre e na corrente. Isso pode entupir o sistema do óleo, causando desgaste prematuro do sabre e da corrente.

Coloque a motosserra de lado em uma superfície firme e plana, de forma que a tampa do óleo esteja voltada para cima (Fig. 8).



- Limpe os detritos presentes na área da tampa.
- Remova a tampa.
- Com cuidado, coloque o óleo no reservatório.
- Recoloque a tampa e verifique se o óleo está visível no reservatório.

Se o óleo não estiver visível no reservatório, será necessário colocar mais óleo.

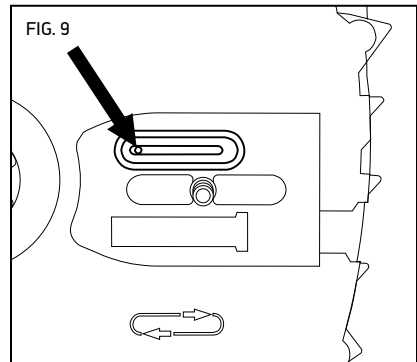
PREPARANDO O ALIMENTADOR

⚠️ ADVERTÊNCIA: Para reduzir o risco de lesões, nunca opere a motosserra sem a tampa lateral.

⚠️ CUIDADO: Mantenha as mãos, a roupa e o cabelo longe da roda dentada ao preparar o alimentador.

Se esta for a primeira vez que você abastece o reservatório de óleo do sabre e da corrente, ou se a motosserra tiver sido armazenada por um longo período sem uso, prepare o alimentador.

- Insira a bateria.
- Deixe a motosserra funcionando por cerca de dois minutos.
- Remova a bateria.
- Remova a tampa lateral girando o botão de liberação da tampa no sentido anti-horário.
- Verifique o óleo no coxim do sabre (Fig. 9).



- Se não houver óleo no coxim do sabre, coloque novamente a tampa lateral e ligue a ferramenta por mais 30 segundos.
- Quando o óleo começar a vazar pelo furo, a motosserra estará pronta para a montagem do sabre e da corrente.

Se o óleo não estiver visível no reservatório, será necessário colocar mais óleo.

Montando o sabre e a corrente

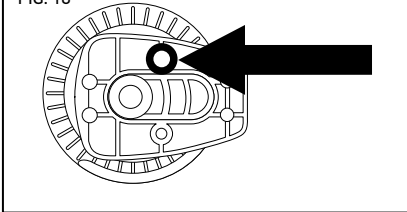


⚠ ADVERTÊNCIA: Uma ferramenta operada por bateria com uma bateria inserida está sempre ligada e pode começar a funcionar acidentalmente. Remova a bateria da motosserra antes de acoplar o sabre e a corrente.

Use luvas.

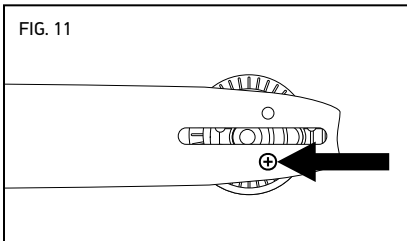
- Remova a bateria.
- Solte a tampa lateral girando o botão de liberação da tampa no sentido anti-horário e, em seguida, remova-a.
- Há um anel de borracha que é importante para o funcionamento da serra. O anel de borracha deve ser colocado em volta do pino do tensionador antes que o tensionador seja fixado no sabre (Fig. 10).

FIG. 10

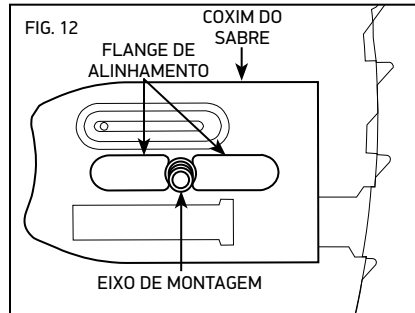


- Insira o parafuso no lado de trás da engrenagem de tensão da corrente e acople a engrenagem no sabre (Fig. 11).

FIG. 11

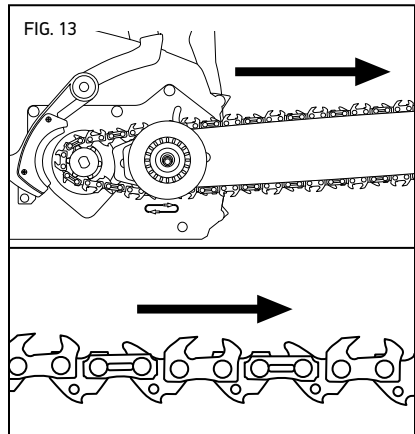


- Coloque a engrenagem de tensão da corrente no lado do sabre voltado para você, de forma que a peça retangular não ultrapasse as bordas do sabre e insira o parafuso.
- Coloque o sabre no coxim deslizando o entalhe sobre o flange de alinhamento (Fig. 12), com o eixo de montagem inserido no furo da engrenagem de tensão da corrente.

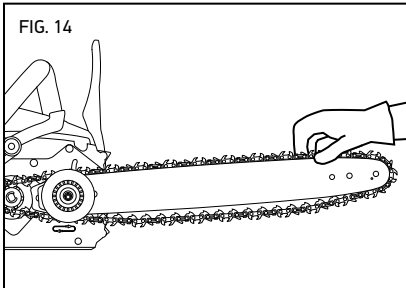


- Gire a nova corrente na roda dentada de forma que as bordas cortantes dos dentes na parte superior do sabre fiquem voltadas para o lado oposto do motor (Fig. 13).

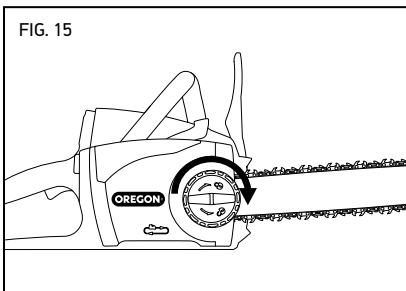
FIG. 13



- Alimente a corrente pela ranhura do sabre. Gire a engrenagem de tensão da corrente para deslizar o sabre para o lado oposto do motor para remover a folga da corrente (Fig. 14).



- Instale a tampa lateral, observando se o captador da corrente está corretamente ajustado no furo e, em seguida, aperte o botão de liberação da tampa (Fig. 15).



Tensionando a corrente da motosserra



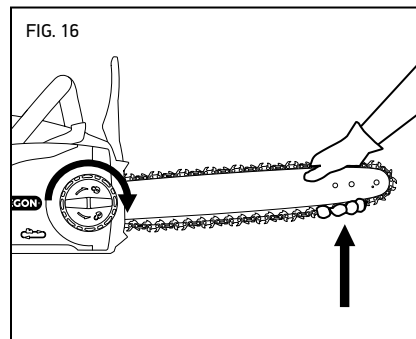
⚠ ADVERTÊNCIA: Uma ferramenta operada por bateria com uma bateria inserida está sempre ligada e pode começar a funcionar acidentalmente. Remova a bateria da motosserra antes de acoplar o eixo extensível, o sabre e a corrente.

⚠ ADVERTÊNCIA: Se a corrente ainda estiver solta quando a serra estiver em tensão máxima, substitua a corrente.

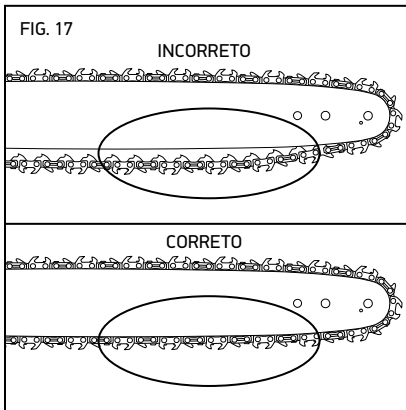
IMPORTANTE: Somente tensione a corrente quando ela estiver fria. Uma corrente quente pode se contrair e danificar o sabre ou a corrente enquanto ela esfria.

Use luvas.

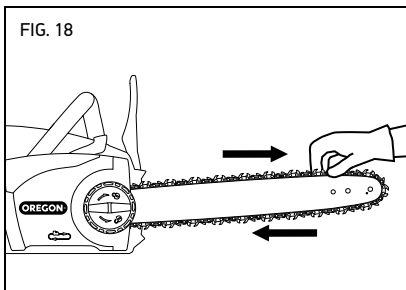
- Remova a bateria.
- Solte levemente o botão de liberação da tampa lateral, mas não remova a tampa.
- Segure a ponta do sabre (Fig. 16) e gire o anel de tensão da corrente no sentido horário.



- Aperte o anel até que os cortadores inferiores, embaixo do sabre, entrem em contato com o trilho do sabre (Fig. 17).



- A tensão da corrente estará correta quando, com algum esforço, uma mão protegida por luva puder puxar a corrente suavemente ao redor do sabre. A corrente deve encostar na parte de baixo do trilho do sabre (Fig. 18).



- Aperte o botão de liberação da tampa lateral.
- Após um curto período de uso, deixe a corrente esfriar, remova a bateria e verifique a tensão novamente. Observe com cuidado a tensão na primeira meia hora de uso e periodicamente, durante a vida útil da corrente, reajustando de acordo com a necessidade quando a corrente e o sabre estiverem frios. Nunca tensione a corrente quando ela estiver quente.

A corrente irá esticar em decorrência do uso normal. No entanto, óleo insuficiente, uso agressivo ou a não realização da manutenção recomendada pode levar a estiramento prematuro.

Operando a serra

Bateria e carregador

⚠️ ADVERTÊNCIA: Não carregue a bateria na chuva.

INDICADOR DE LED DO NÍVEL DE CARGA DA BATERIA

A bateria de íon de lítio está equipada com um indicador de LED de nível de carga. Para testar o nível de carga da bateria, pressione o botão do indicador na face da bateria (Fig. 19).

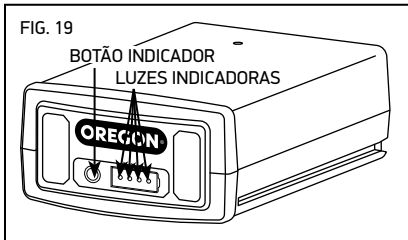
Sem luz: recarregue.

Uma luz verde constante:
menos de 25% carregada.
Carregue a bateria antes do uso.

Duas luzes verdes constantes:
26-50% carregada.

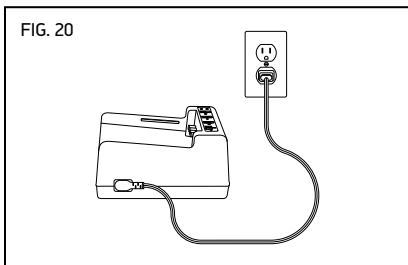
Três luzes verdes constantes:
51-75% carregada.

Quatro luzes verdes constantes:
76-100% carregada.



CONEXÃO DO CARREGADOR

Se o carregador incluir um cabo de alimentação separado, conecte o cabo ao carregador e à tomada elétrica adequada (Fig. 20).



Use somente o conjunto de cabos fornecido com o carregador. No primeiro uso, verifique se o tipo de plugue corresponde ao receptáculo.

INDICADOR DE LED DE ESTADO DE CARGA DO CARREGADOR

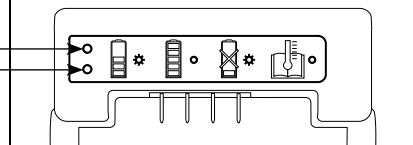
O carregador da bateria está equipado com um indicador de LED do estado de carga que indica o estado da carga e também as condições que podem atrasar ou impedir o carregamento (Fig. 21).

Observação: Nenhuma luz será visível antes da introdução de uma bateria.

Luz laranja piscando: existe uma condição de falha. Há várias causas possíveis. Consulte "Solução de problemas" neste manual.

Luz laranja constante: a temperatura da bateria está além da faixa aceitável (0 °C/32 °F a 40 °C/104 °F). Aguarde até que as baterias atinjam a faixa de temperatura aceitável, antes de carregar. A bateria pode ficar no carregador enquanto a temperatura se ajusta. O carregamento começará quando a temperatura adequada for atingida.

FIG. 21



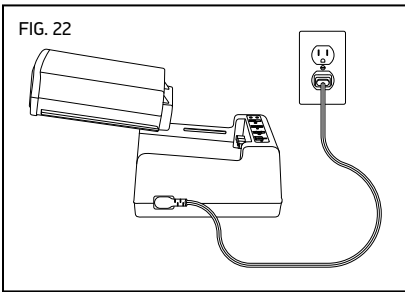
Luz verde piscando: a bateria está carregando.

Luz verde constante: a bateria está pronta para uso.

CARGA DAS BATERIAS

⚠️ ADVERTÊNCIA: A falha em seguir os procedimentos de carregamento adequados pode provocar tensão excessiva, fluxo de corrente excessivo, perda de controle durante o carregamento, vazamento de produtos químicos perigosos, geração de calor, queimaduras ou incêndio. Siga estas instruções para carga.

Com o cabo do carregador conectado ao carregador e a uma tomada elétrica, alinhe as ranhuras da bateria com os trilhos no carregador e deslize a bateria no carregador até que esteja completamente encaixada (Fig. 22).

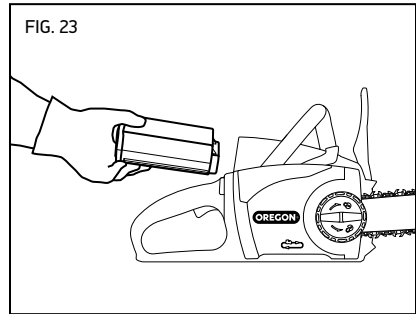


Verifique o indicador do estado de carga quanto às condições da carga.

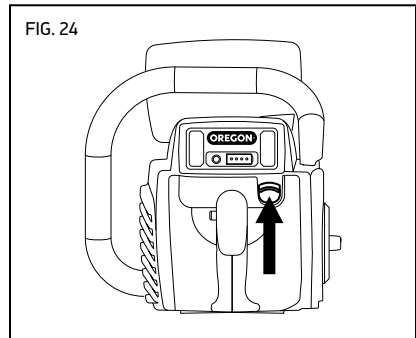
INTRODUÇÃO E LIBERAÇÃO DA BATERIA

Use somente as baterias Oregon® especificadas nestas instruções de operação.

Alinhe as ranhuras da bateria com os trilhos no interior da porta da bateria. Introduza firmemente a bateria na porta situada na motosserra, pressionando até que ela trave no lugar (Fig. 23).



Para remover a bateria, levante a alavanca de liberação e remova-a (Fig. 24).



Operação geral



⚠ PERIGO: Para evitar lesões graves, não se estique em excesso e não suba em uma escada manual, banco ou em qualquer posição elevada que não seja totalmente segura. Nunca corte objetos que estejam acima da altura do ombro.

⚠ ADVERTÊNCIA: Para reduzir o risco de lesões, sempre use botas adequadas, calças compridas, luvas e proteção auricular, ocular e para a cabeça.

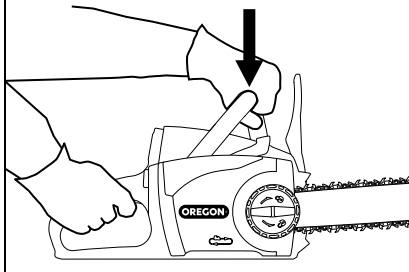
TEMPERATURA DE OPERAÇÃO

Esta motosserra se destina a funcionar em uma faixa de temperatura de 0 °C a 40 °C (32 °F a 104 °F).

SEGURAR

Sempre segure a ferramenta com ambas as mãos. Segure a alça dianteira com a mão esquerda e a empunhadura traseira com a mão direita (Fig. 25). Envolver os dedos na parte superior da empunhadura com o polegar posicionado embaixo da empunhadura.

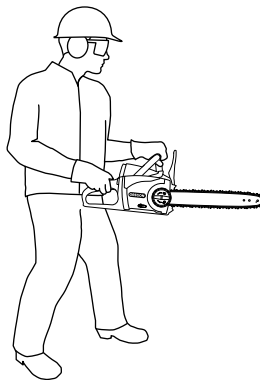
FIG. 25
SEGURAR COM O POLEGAR
EMBAIXO DA EMPUNHADURA



APOIO DOS PÉS

Fique de pé com ambos os pés plantados em solo firme, com o peso distribuído uniformemente entre eles (Fig. 26).

FIG. 26



PARANDO A SERRA

Solte o acionador de aceleração para parar a motosserra.

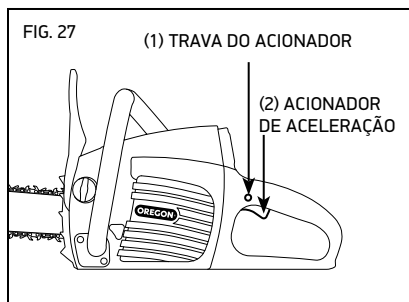
LIGANDO A MOTOSSERRA

⚠ ADVERTÊNCIA: Para reduzir o risco de lesões, nunca prenda a trava com uma fita adesiva ou amarrando a trava do acionador.

Verifique se o freio da corrente não está engatado.

Segure as alças dianteira e traseira com firmeza. Mantenha a trava do acionador pressionada com o polegar (1). Para ligar a serra, aperte o acionador de aceleração (2) (Fig. 27). Não há necessidade de continuar pressionando a trava do acionador. Ela permanecerá desengatada até que o acionador seja liberado.

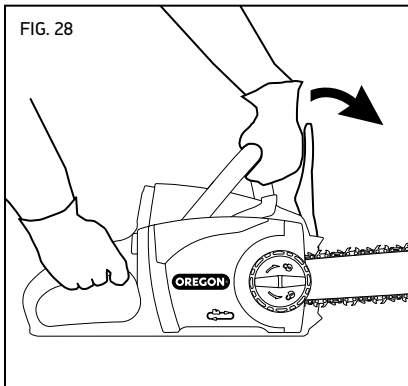
FIG. 27
(1) TRAVA DO ACIONADOR
(2) ACIONADOR DE ACELERAÇÃO



TESTANDO O FREIO DA CORRENTE

Verifique se o freio da corrente está funcionando antes de usar a motosserra. Para verificar o funcionamento do freio:

- Coloque a motosserra em uma superfície firme e plana.
- Ligue a serra.
- Mantenha a mão esquerda na alça dianteira e mexa o punho esquerdo para mover o protetor de mão dianteiro para frente, a fim de ativar o freio da corrente (Fig. 28).



- Solte o acionador de aceleração.

Se o freio estiver funcionando corretamente, o motor e a corrente irão parar imediatamente. Se o motor e a corrente não pararem imediatamente, solicite o reparo do freio em um local de manutenção aprovado.

- Volte o protetor de mão dianteiro para a posição de operação.

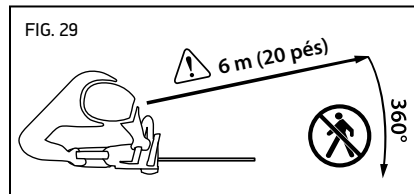
Cortando

⚠ ADVERTÊNCIA: Para reduzir o risco de lesões, use botas adequadas, calças compridas, luvas e proteção auricular, ocular e para a cabeça.

⚠ ADVERTÊNCIA: Para reduzir o risco de lesões, sempre verifique o apoio dos pés e segure a motosserra com firmeza e com ambas as mãos enquanto o motor estiver em funcionamento.

⚠ ADVERTÊNCIA: Para reduzir o risco de lesões, planeje várias rotas de fuga antes de começar o trabalho.

⚠ CUIDADO: Estabeleça uma zona de segurança de transeuntes de 6 m (20 pés) antes de operar este equipamento. A zona de segurança de transeuntes é um círculo de no mínimo 6 m (20 pés) em torno do operador que deve ficar livre de transeuntes, crianças e animais (Fig. 29). As operações de derrubada de árvores requerem uma zona de segurança maior, de acordo com o tamanho da árvore. Consulte a seção “Derrubada de árvores”.



IMPORTANTE: Pratique cortando toras em um cavalete ou apoio até se sentir confortável com a operação da serra.

Para obter o melhor desempenho e operar a serra com segurança, siga estas instruções:

- Siga todas as regras e regulamentos nacionais e municipais aplicáveis às atividades de corte.
- Faça pausas frequentes para reduzir o risco de lesões.
- Antes de começar a cortar, verifique se a corrente está corretamente tensionada e se ela está afiada.

As correntes se destinam somente ao corte de madeira. Não use a motosserra para cortar qualquer outro material e não permita que a corrente entre em contato com terra, pedras, pregos, grampos ou fios. Esses materiais são extremamente abrasivos e desgastam o revestimento de proteção da corrente em um curto período.

Amole ou substitua a corrente se alguma destas condições ocorrer:

- A pressão necessária para fazer os cortes aumenta consideravelmente.
- As aparas de madeira que saem da corrente são muito finas ou parecidas com poeira.

Não trabalhe com uma corrente em mau estado, pois ela aumenta o esforço necessário para fazer o corte, causa cortes irregulares, aumenta o desgaste da ferramenta e aumenta o risco de coice. Não force o corte com uma corrente em mau estado.

- Assuma a posição adequada para o corte e fique na frente da madeira com a serra desligada. Pressione a trava do acionador e aperte o acionador de aceleração. Deixe a corrente atingir a velocidade total antes de começar o corte.
- Comece cortando fazendo uma leve pressão do sabre contra a madeira. Use somente uma leve pressão e deixe que a serra faça o trabalho.
- Mantenha uma velocidade constante durante o corte, diminuindo a pressão pouco antes do final da tarefa.
- Tenha ciência do local da ponta do sabre a todo momento e evite o contato com outros objetos.
- Se a serra parar repentinamente durante o corte, remova a serra do corte e reinicie o trabalho usando menos pressão na peça.

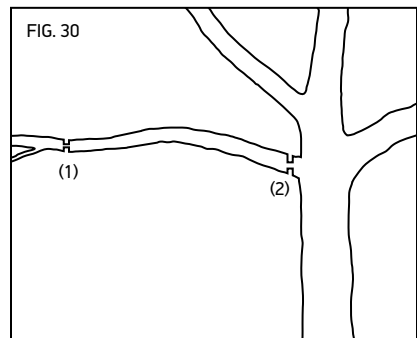
PODANDO

▲ CUIDADO: Os galhos podem quicar ou “ricochetear” após atingirem o chão. Portanto, é fundamental manter o chão limpo para que haja várias rotas de fuga.

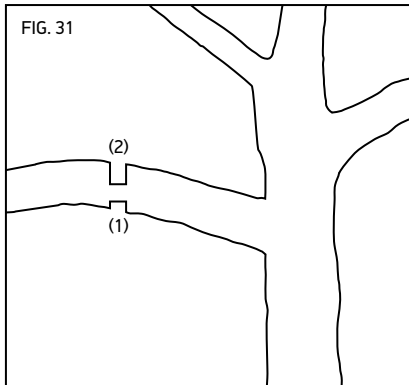
Limpe a área de trabalho e use proteção para a cabeça.

A poda é a remoção de galhos mortos ou grandes para manter a saúde da planta.

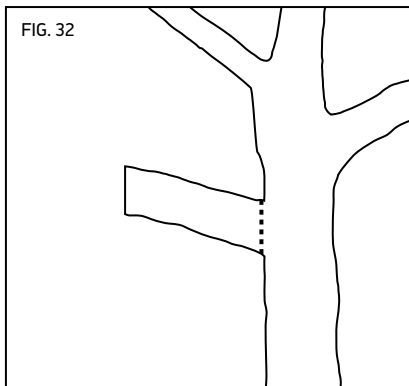
- Planeje rotas de fuga antes de começar o corte e verifique se não há obstruções. Sempre saiba como sair do caminho de galhos em queda.
- Certifique-se de que os transeuntes ou ajudantes estejam a uma distância segura dos galhos em queda. Os transeuntes e os ajudantes não devem ficar diretamente na frente ou atrás do operador. Veja a Fig. 28.
- Mantenha os pés em apoio sólido e segure a motosserra com firmeza usando ambas as mãos. Não se estique demais. Nunca suba em uma árvore ou em uma escada para alcançar galhos altos.
- Proteja-se de qualquer galho que possa ser perigoso.
- Use equipamentos auxiliares adequados.
- Corte os galhos mais baixos antes de podar os mais altos.
- Deixe que a serra atinga a velocidade total antes do corte.
- Aplique uma leve pressão no galho.
- Em galhos maiores (Fig. 30), corte a ponta do galho primeiro (1) para aliviar a pressão e, em seguida, corte mais próximo do tronco (2).



- Galhos espessos (maior que 10 cm (4 pol.) de diâmetro) podem estilhaçar e pinçar a corrente durante um único corte a partir do topo. Para evitar que isso ocorra, faça primeiro um pequeno corte na superfície inferior do galho (1) e, em seguida, corte a parte de cima (2) até encontrar o corte de baixo (Fig. 31).

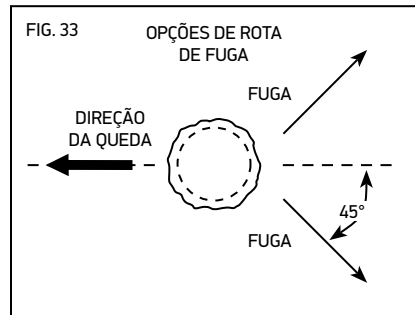


- Depois que a maior parte do galho tiver sido removida, faça um corte mais suave próximo do tronco (Fig. 32).



DERRUBADA DE ÁRVORES

⚠ CUIDADO: Uma árvore pode rolar ou deslizar por uma montanha após ser derrubada. Planeje e deixe uma rota de fuga livre antes de iniciar os cortes. A rota de fuga deve se estender para trás e diagonalmente atrás da linha esperada de queda (Fig. 33).

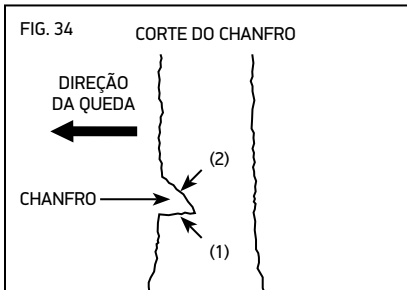


A derrubada é o ato de cortar uma árvore.

- Antes de iniciar a derrubada, considere a inclinação natural da árvore, a posição dos galhos maiores e a direção do vento para imaginar em que direção a árvore vai cair.
- Remova terra, pedras, cascas soltas, pregos, grampos e fios da árvore na qual os cortes para a derrubada serão feitos.
- Quando as operações de corte e derrubada são executadas por duas ou mais pessoas ao mesmo tempo, separe a operação de derrubada da operação de corte a uma distância de pelo menos o dobro da altura da árvore que está sendo derrubada.
- As árvores não devem ser derrubadas de forma que coloquem pessoas em perigo, atinjam uma linha de transmissão de energia ou causem danos a alguma propriedade. Se as árvores atingirem uma linha de transmissão de energia, deixe a área imediatamente e notifique a empresa responsável pelas linhas de transmissão.
- Use as pontas de metal na parte dianteira da serra para apoiar a serra na madeira. Coloque o amortecedor pontiagudo na madeira e use-o como um ponto de alavanca para aumentar a estabilidade ao cortar madeira de diâmetro grande.

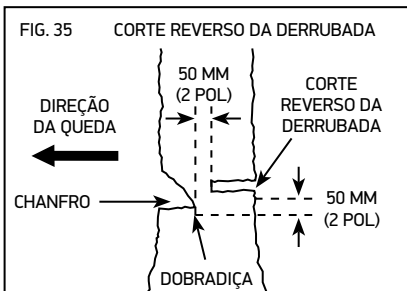
Corte do chanfro

- Primeiro, faça um chanfro de 1/3 do diâmetro da árvore, perpendicular à direção da queda. Faça primeiro o corte do chanfro horizontal inferior (1). Isso ajudará a evitar que a corrente ou o sabre seja pinçado quando o segundo corte (2) for feito (Fig. 34).



Corte reverso da derrubada

- Depois, faça o corte reverso pelo menos 50 mm (2 pol.) mais alto do que o corte do chanfro horizontal inferior (Fig. 35). Mantenha o corte reverso paralelo ao corte do chanfro horizontal inferior.



- Faça o corte reverso de forma que haja madeira o suficiente para atuar como uma dobradiça. A dobradiça evita que a árvore gire e caia na direção errada. Não corte pela dobradiça.
- À medida que o corte reverso se aproxima da dobradiça, a árvore deve começar a cair.

- Se houver alguma chance de a árvore não cair na direção desejada, ou de atingir ou prender a corrente, pare o corte antes que o corte reverso seja concluído e use calços de madeira, plástico ou alumínio para abrir o corte e derrubar a árvore na linha de queda desejada.
- Quando a árvore começar a cair, remova a motosserra do corte, pare o motor, coloque a motosserra no chão e use a rota de fuga planejada.
- Tenha cuidado com galhos soltos e observe o apoio dos pés.

DESMEMBRANDO UMA ÁRVORE

⚠ CUIDADO: Galhos sob tensão podem “ricochetear” e entrar em contato com o operador ou deixar a motosserra fora de controle, causando lesões. Esteja sempre alerta quanto a madeira sob tensão, que pode atingir o operador ou a motosserra após o corte.

Desmembrar é remover os galhos de uma árvore derrubada.

- Ao desmembrar, deixe os galhos maiores e mais baixos para apoiar a tora no solo.
- Remova os galhos pequenos em um corte.
- Os galhos sob tensão devem ser cortados de baixo para cima para evitar que a motosserra fique presa (Fig. 36).

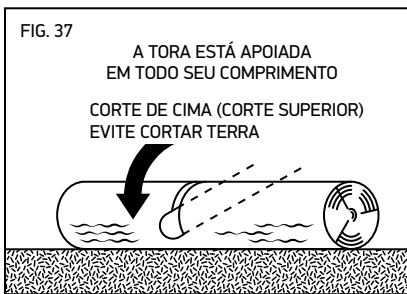


CORTANDO UM TRONCO

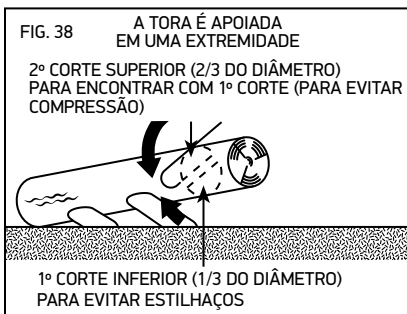
⚠ CUIDADO: O corte de troncos sob tensão aumenta a chance de coice. Use um dos métodos abaixo para apoiar a tora durante o corte.

O corte de troncos consiste em cortar uma tora no comprimento. É importante verificar se o apoio dos pés está firme e se o peso está uniformemente distribuído em ambos os pés. Se for possível, a tora deve ser içada e apoiada com o uso de galhos, troncos ou calços.

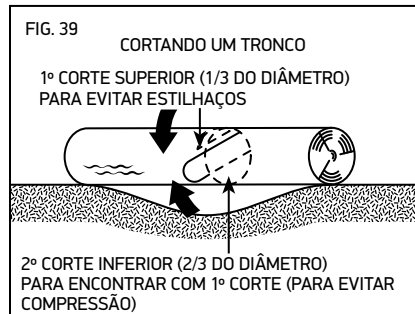
- Quando a tora estiver apoiada em todo seu comprimento, corte começando da parte de cima (corte superior) (Fig. 37).



- Quando a tora estiver apoiada em uma extremidade, corte 1/3 do diâmetro começando de baixo (corte inferior) e, em seguida, faça o corte de acabamento de cima para encontrar com o primeiro corte (Fig. 38).



- Quando a tora estiver apoiada em ambas as extremidades, corte 1/3 do diâmetro começando pelo corte superior e, em seguida, faça o corte de acabamento de baixo pelos 2/3 inferiores para encontrar com o primeiro corte (Fig. 39).



- Quando fizer o corte em um declive, sempre fique acima da tora (Fig. 40).



- Para manter o controle total do corte, alivie a pressão quando chegar próximo do fim sem perder a firmeza ao segurar as empunhaduras da motosserra.
- Não deixe a corrente entrar em contato com o solo.
- Após terminar o corte, aguarde a corrente parar antes de mover a motosserra.
- Sempre pare o motor antes de passar de uma árvore para outra.

Afiando com PowerSharp®

⚠ ADVERTÊNCIA: PowerSharp não deve ser usado na presença de materiais extremamente inflamáveis expostos, como gasolina e acetileno.

⚠ CUIDADO: A afiação com o sistema PowerSharp produz faíscas de baixa energia.

⚠ CUIDADO: O sistema de afiação integrado PowerSharp deve ser usado somente com correntes PowerSharp. Nunca tente afiar outra corrente com o afiador integrado. Ocorrerá dano na corrente e no afiador.

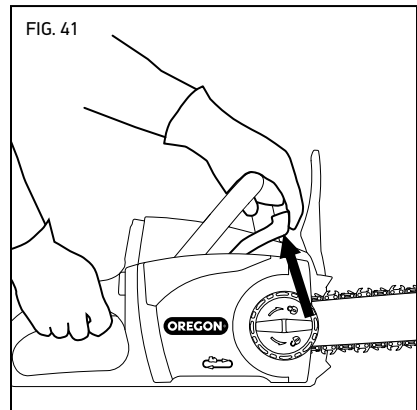
INTRODUÇÃO AO POWERSHARP

Esta motosserra é equipada com o sistema de afiação integrado PowerSharp, uma forma rápida e fácil de afiar a corrente na motosserra. A corrente deve ser afiada quando os cortes são mais demorados ou as aparas ficam menores, sendo transformadas em serragem.

AFIANDO A CORRENTE

IMPORTANTE: A corrente PowerSharp usa cortadores exclusivos com alto grau de afiação e só podem ser afiadas com um afiador PowerSharp genuíno.

- Com a serra em velocidade total, levante suavemente a alavanca PowerSharp por 3 a 5 segundos (Fig. 41). Faíscas serão visíveis quando os cortadores entrarem em contato com a pedra de afiação.



- Faça um corte de teste para determinar se a corrente foi afiada suficientemente. Se não tiver afiada, repita o procedimento até que a corrente fique afiada.

IMPORTANTE: Não faça muita força ao afiar. A força excessiva pode reduzir o desempenho da pedra de afiação.

IMPORTANTE: É normal ver uma pequena quantidade de faíscas e fumaça durante a afiação, pois os cortadores entram em contato com a pedra e o atrito aquece a corrente.

QUANDO SUBSTITUIR A PEDRA DE AFIÇÃO

A pedra de afiação é projetada para se desgastar na mesma proporção que a corrente. Sempre substitua a pedra ao substituir a corrente, mesmo que ela aparente ter mais vida útil. Consulte “Substituindo uma corrente desgastada e uma pedra de afiação” neste manual.

Manutenção e limpeza



⚠️ ADVERTÊNCIA: A não identificação e substituição de peças danificadas ou desgastadas pode causar lesões pessoais graves. Inspeção a motosserra regularmente. A inspeção regular é a primeira etapa de uma manutenção adequada. Siga as diretrizes abaixo para maximizar a segurança e a satisfação. Substitua peças danificadas ou gastas imediatamente.

⚠️ ADVERTÊNCIA: Uma ferramenta operada por bateria com uma bateria inserida está sempre ligada e pode começar a funcionar acidentalmente. Remova a bateria antes da inspeção, limpeza ou antes de realizar manutenção.

⚠️ CUIDADO: Ao limpar a motosserra, não a submerja em água ou outros líquidos.

Inspeção

Antes de cada uso e se a motosserra tiver sofrido uma queda, inspecione as seguintes peças:

- Empunhaduras: As empunhaduras dianteira e traseira não devem apresentar rachaduras ou outro dano. Elas devem estar limpas e secas.
- Protetor de mão dianteiro: O protetor de mão dianteiro deve estar livre de danos e deve se movimentar facilmente para frente e para trás. Ao ser movido, o protetor de mão dianteiro deve ativar o freio da corrente.
- Sabre: O sabre deve estar reto e livre de aparas, rachaduras e desgaste excessivo.
- Corrente: A corrente deve estar devidamente tensionada e afiada, e todos os componentes livres de rachaduras, aparas, dentes quebrados ou desgaste excessivo. Consulte “Tensionando a corrente” e “Afiando com PowerSharp®”.

- Tampa lateral: A tampa lateral deve estar livre de rachaduras ou outros danos. Ela deve se encaixar corretamente ao corpo da serra sem empenamentos. Verifique se o captador da corrente está sem rachaduras.
- Bateria: A bateria deve estar limpa, seca e sem sinais de perfurações, impacto ou outros danos. Os contatos devem estar limpos, secos e livres de detritos.
- Porta da bateria: A porta da bateria e os contatos devem estar limpos, secos e livres de detritos.
- Freio da corrente: Teste o freio da corrente para ver se ele está funcionando corretamente. Consulte “Testando o freio da corrente” em “Operação geral”.
- Nível do óleo: Verifique se o reservatório de óleo está cheio antes do uso. Consulte “Abastecendo o reservatório de óleo do sabre e da corrente”.
- Alimentador automático: Quando a motosserra está funcionando sem o sabre e a corrente instalados, uma pequena quantidade de óleo vaza pelo furo no coxim do sabre. Consulte “Preparando o alimentador”.
- Tampa do Motor: Verifique se há rachaduras na tampa e detritos nas aberturas de entrada de ar.

Inspeção periodicamente as peças a seguir:

- Roda dentada: Procure ranhuras profundas, dentes quebrados ou rebarbas.
- Engrenagem de tensão da corrente: Inspeção a engrenagem quanto a rachaduras, aparas, parafusos soltos, empenamentos ou outros danos.
- Área de montagem do sabre embaixo da tampa lateral: Verifique se o eixo de montagem não está empenado, descascado ou rosqueado e se o coxim do sabre e o flange de alinhamento estão intactos e livres de detritos.
- Carregador: O carregador deve estar limpo, seco e sem furos ou outros danos. A bandeja da bateria e os terminais de contato devem estar livres de detritos.

Tensionando a corrente da motosserra

IMPORTANTE: Somente tensione a corrente quando ela estiver fria. Uma corrente quente pode se contrair e danificar o sabre ou a corrente enquanto ela esfria.

Se a corrente não encostar na parte inferior do sabre quando a motosserra estiver desligada e fria, ela deve ser tensionada.

Tensione a corrente conforme descrito em “Tensionando a corrente da motosserra” na seção “Desembalagem e montagem” deste manual.

Substituindo uma corrente desgastada e uma pedra de afiação

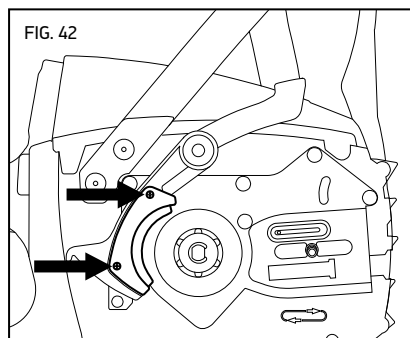
⚠ CUIDADO: Substitua a corrente PowerSharp® e a pedra de afiação ao mesmo tempo. Caso contrário, pode ocorrer perda de desempenho ou danos na corrente e/ou na pedra de afiação.

⚠ CUIDADO: O sistema de afiação integrado PowerSharp deve ser usado somente com correntes PowerSharp. Remova a pedra de afiação ao usar uma corrente diferente da PowerSharp. Caso contrário, pode ocorrer dano na corrente, no sistema de afiação e/ou na motosserra.

Quando a corrente apresenta rachaduras ou tem dentes quebrados, está estirada até o ponto em que não consegue manter a tensão apropriada ou simplesmente não pode ser afiada, ela deve ser substituída.

Use luvas.

- Remova a bateria.
- Solte levemente o botão de liberação da tampa lateral, mas não remova a tampa.
- Solte o anel de tensão da corrente (gire-o no sentido anti-horário) o máximo possível.
- Solte o botão de liberação da tampa lateral e remova a tampa.
- Remova a corrente.
- Remova os dois parafusos que seguram a pedra de afiação (Fig. 42).



- Remova a pedra.
- Verifique que a alavanca PowerSharp e a área em volta estão sem detritos.
- Coloque a nova pedra na alavanca e coloque os parafusos novamente.
- Substitua o sabre e a corrente da serra. Consulte “Montando o sabre e a corrente da serra” neste manual.
- Tensione a corrente conforme descrito em “Tensionando a corrente da motosserra” na seção “Desembalagem e montagem” deste manual.

IMPORTANTE: A corrente deve estar devidamente tensionada antes do uso. Consulte “Tensionando a corrente da motosserra” na seção “Desembalagem e montagem” deste manual.

Manutenção do sabre

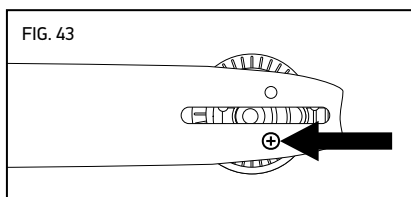
⚠️ ADVERTÊNCIA: As bordas de um sabre desgastado, principalmente as bordas da ranhura onde a corrente encosta no sabre, podem ser extremamente pontiagudas. Use proteção apropriada para as mãos.

⚠️ CUIDADO: O sabre pode estar quente após cortar. Use luvas para evitar queimaduras.

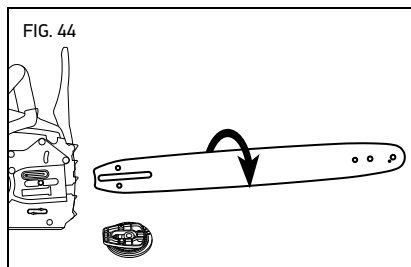
Para obter o desgaste uniforme do sabre e maximizar a vida útil da mesma, vire o sabre ocasionalmente.

Use luvas.

- Remova a bateria.
- Solte levemente o botão de liberação da tampa lateral, mas não remova a tampa.
- Solte o anel de tensão da corrente (gire-o no sentido anti-horário) o máximo possível.
- Solte o botão de liberação da tampa lateral e remova a tampa.
- Remova o sabre e a corrente e inspecione-os quanto a danos e desgaste.
- Remova o parafuso do lado de trás da engrenagem de tensão da corrente e remova a engrenagem de tensão da corrente do sabre (Fig. 43).



- Vire o sabre (Fig. 44).



- Substitua o sabre e a corrente da motosserra. Consulte “Montando o sabre e a corrente da motosserra” neste manual.
- Tensione a corrente conforme descrito em “Tensionando a corrente da motosserra” na seção “Desembalagem e montagem” deste manual.

Substituindo um sabre desgastado

⚠️ ADVERTÊNCIA: As bordas de um sabre desgastado, principalmente as bordas da ranhura onde a corrente encosta no sabre, podem ser extremamente pontiagudas. Use proteção apropriada para as mãos.

Quando o sabre apresenta rachaduras ou desgaste excessivo em volta das bordas, principalmente na ranhura onde a corrente encosta no sabre, ele deve ser substituído. Além disso, se a roda dentada estiver desgastada, tiver dentes faltando ou não girar corretamente, o sabre deverá ser substituído.

Use luvas.

- Remova a bateria.
- Solte levemente o botão de liberação da tampa lateral, mas não remova a tampa.
- Solte o anel de tensão da corrente (gire-o no sentido anti-horário) o máximo possível.
- Solte o botão de liberação da tampa lateral e remova a tampa.
- Remova o sabre e a corrente.
- Remova o parafuso do lado de trás da engrenagem de tensão da corrente e remova a engrenagem da corrente do sabre, conforme descrito em “Manutenção do sabre”.
- Coloque a engrenagem de tensão da corrente no novo sabre e recoloque o parafuso.
- Substitua o sabre e a corrente da motosserra. Consulte “Montando o sabre e a corrente da motosserra” neste manual.
- Tensione a corrente conforme descrito em “Tensionando a corrente da motosserra” na seção “Desembalagem e montagem” deste manual.

Substituindo uma engrenagem de tensão da corrente

Substitua a engrenagem de tensão da corrente caso ela não segure o sabre e a corrente na tensão correta ou se ela estiver danificada.

Use luvas.

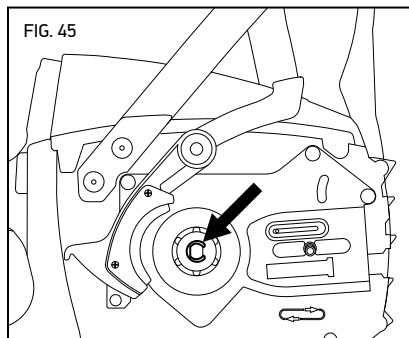
- Remova a bateria.
- Solte levemente o botão de liberação da tampa lateral, mas não remova a tampa.
- Solte o anel de tensão da corrente (gire-o no sentido anti-horário) o máximo possível.
- Solte o botão de liberação da tampa lateral e remova a tampa.
- Remova o sabre e a corrente.
- Remova o parafuso do lado de trás da engrenagem de tensão da corrente e remova a engrenagem de tensão da corrente do sabre.
- Coloque a nova engrenagem de tensão da corrente no lado do sabre que está voltado para você e recoloque o parafuso.
- Substitua o sabre e a corrente da motosserra. Consulte “Montando o sabre e a corrente da motosserra” neste manual.
- Tensione a corrente conforme descrito em “Tensionando a corrente da motosserra” na seção “Desembalagem e montagem” deste manual.

Substituindo a roda dentada

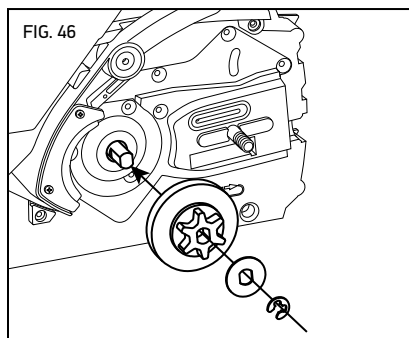
Substitua a roda dentada após cada duas trocas da corrente ou quando a roda estiver danificada.

Use luvas e proteção para os olhos.

- Remova a bateria.
- Solte levemente o botão de liberação da tampa lateral, mas não remova a tampa.
- Solte o anel de tensão da corrente (gire-o no sentido anti-horário) o máximo possível.
- Solte o botão de liberação da tampa lateral e remova a tampa.
- Remova o sabre e a corrente.
- Use uma pequena chave de fenda como alavanca para abrir e remover o retentor e, em seguida, remova a arruela e a roda dentada (Fig. 45).



- Insira a nova roda dentada e a arruela e instale o novo retentor (Fig. 46).



- Substitua o sabre e a corrente da motosserra. Consulte “Montando o sabre e a corrente da motosserra” neste manual.
- Tensiona a corrente conforme descrito em “Tensionando a corrente da motosserra” na seção “Desembalagem e montagem” deste manual.

Limpeza

⚠️ ADVERTÊNCIA: Para reduzir o risco de lesões, remova a bateria antes da limpeza.

⚠️ CUIDADO: Ao limpar o motor da motosserra, não o submerja em água ou outros líquidos.

Use luvas e proteção para os olhos.

- Remova a bateria.
- Remova as aparas de madeira e outros detritos da porta da bateria. Verifique se os terminais de contato estão limpos e secos.
- Após o uso, limpe os detritos da corrente da motosserra e do sabre. Limpe o motor com um pano limpo umedecido com uma solução de sabão neutro. Nunca use limpadores ou solventes agressivos.
- Sempre retire aparas de madeira, serragem e sujeiras das ranhuras do sabre ao substituir a corrente.
- Certifique que a engrenagem de tensão da corrente está livre aparas de madeira e outros detritos.

Bateria

IMPORTANTE: Não há peça em que o usuário possa fazer manutenção dentro da bateria. Não desmonte.

As baterias de íon de lítio têm um tempo determinado de vida útil. Se o tempo de uso diminuir acentuadamente para cada carga, a bateria está no final de sua vida útil e deve ser substituída.

- Certifique-se de que a bateria, incluindo os contatos, esteja limpa, seca e sem sinais de perfurações, impacto ou outros danos. Baterias quebradas podem causar incêndio ou emitir substâncias químicas perigosas.
- Limpe os contatos sujos com um pano limpo e seco. Sujeira ou óleo podem provocar uma conexão elétrica inadequada, resultando em perda de potência.

Carregador

- Desconecte o carregador da tomada.
- Limpe os contatos sujos com um pano limpo e seco.

Informações adicionais de manutenção

Para obter mais informações sobre a manutenção da corrente da motosserra, do sabre e da roda dentada, consulte o Manual de Manutenção e Segurança da Oregon® no endereço <http://oregonproducts.com/maintenance/manual.htm>.

Solução de problemas

Use esta tabela para ver possíveis soluções para problemas com a motosserra. Caso essas sugestões não solucionem o problema, consulte "Garantia e manutenção".

| SINTOMA | POSSÍVEL CAUSA | AÇÕES RECOMENDADAS |
|--|--|--|
| O motor não funciona ou funciona intermitentemente | Freio da corrente engatado | Antes de começar, verifique se o protetor de mão está totalmente posicionado para trás (freio da corrente desengatado). Para ver a posição correta do protetor de mão, consulte "Ligando a motosserra" neste manual. |
| | Bateria descarregada | Recarregue. Consulte "Carga da bateria" neste manual. |
| | Trava do acionador não pressionada | A trava do acionador deve estar pressionada. Consulte "Ligando a motosserra" neste manual. |
| | Bateria não inserida completamente | Limpe os detritos da porta da bateria e dos terminais com um pano seco ou com uma escova não condutora. |
| | Detritos na tampa lateral. | Remova a bateria, retire a tampa lateral e limpe os detritos. |
| | Bateria fria | Deixe a bateria aquecer acima da temperatura mínima de operação de 0°C (32°F). |
| O motor funciona, mas a corrente não gira | A corrente não está engatando a roda dentada | Reinstale a corrente, verificando se os elos estão totalmente encaixados na roda dentada. Consulte "Manutenção e limpeza" neste manual para obter instruções de instalação. |
| | Roda dentada da ponta do sabre não está girando | Substitua o sabre. Consulte "Substituindo um sabre desgastado" neste manual. |
| O freio da corrente não engata | Há detritos impedindo o movimento total do protetor de mão | Limpe os detritos do mecanismo externo do freio da corrente. |
| | Possível defeito no freio da corrente | Entre em contato com um local de manutenção aprovado imediatamente. ⚠️ ADVERTÊNCIA: OPERAR UMA MOTOSSERRA SEM UM FREIO FUNCIONANDO CORRETAMENTE PODE CAUSAR LESÕES GRAVES. |
| A motosserra não corta corretamente | Tensão insuficiente da corrente | Consulte "Tensionando a corrente da motosserra" neste manual. |
| | Corrente em mau estado | Consulte "Afiando com PowerSharp®" neste manual. |
| | Corrente instalada no sentido contrário | Consulte "Montando o sabre e a corrente da motosserra" neste manual. |
| | Corrente desgastada | Substitua a corrente e a pedra. Elas são projetadas para se desgastarem na mesma proporção. |
| | Corrente seca ou excessivamente estirada | Verifique o nível do óleo. Reabasteça o reservatório de óleo, se necessário. Consulte "Abastecendo o reservatório de óleo do sabre e da corrente" neste manual. Verifique se o sistema de óleo está entupido. Uma pequena quantidade de óleo deve ser depositada no sabre. |
| | A corrente não está na ranhura no sabre | Consulte "Montando o sabre e a corrente da motosserra" neste manual. |

| SINTOMA | POSSÍVEL CAUSA | AÇÕES RECOMENDADAS |
|--|---|--|
| Som de alarme quando o acionador é puxado | O uso excessivo superaqueceu o motor | Deixe a motosserra esfriar e, em seguida, continue cortando. |
| | Freio da corrente engatado | Antes de começar, verifique se o protetor de mão está totalmente posicionado para trás (freio da corrente desengatado). Para ver a posição correta do protetor de mão, consulte "Ligando a motosserra" neste manual. |
| A bateria não carrega | A proteção de temperatura elevada/baixa da bateria está ativada | Isso pode ocorrer quando a motosserra funciona continuamente ou é exposta a altas temperaturas ambientes. Aguarde a bateria atingir a temperatura aceitável, antes de carregar. Consulte "Bateria e carregador" neste manual. |
| | Contatos sujos ou danificados na bateria ou carregador | Inspecione os contatos da bateria e do carregador. Caso necessário, limpe de acordo com as instruções deste manual. Reintroduza a bateria no carregador, certificando-se de que ela esteja completamente encaixada. |
| | Bateria no fim de sua vida útil | Todas as baterias têm um tempo de vida útil limitado. Caso a bateria tenha mais de dois anos de uso ou tenha sido recarregada com frequência, pode ser a hora de substituí-la. Substitua somente pela bateria especificada para esta motosserra. |
| | Falha no carregador | Solicite o reparo em um local de assistência técnica aprovado. |
| Tempo de uso reduzido por carga de bateria | Corrente em mau estado | Consulte "Afiando com PowerSharp®" neste manual. |
| | Corrente desgastada | Substitua a corrente. Consulte "Substituindo uma corrente desgastada e uma pedra de afiação" neste manual. |
| | Corrente seca | Verifique o nível do óleo. Reabasteça o reservatório de óleo, se necessário. Consulte "Abastecendo o reservatório de óleo do sabre e da corrente" neste manual. |
| | Corrente excessivamente tensionada | Consulte "Tensionando a corrente da motosserra" neste manual. |
| | Técnica de corte inadequada | Siga as instruções em "Cortando" neste manual. |
| | Detritos na tampa lateral. | Remova a bateria, retire a tampa lateral e limpe os detritos. |
| | Bateria não carregada por completo | Recarregue. Consulte "Bateria e carregador" neste manual. |
| Luz laranja piscando no indicador do estado da carga | <ol style="list-style-type: none"> 1. Certifique-se de que o cabo do carregador esteja conectado ao carregador e à tomada elétrica. 2. Certifique-se de que o carregador esteja recebendo a tensão correta. 3. Tente carregar outra bateria destinada a este carregador. <p>Caso isso não solucione o problema, execute a verificação da função em um local de assistência técnica aprovado.</p> | |

Especificações e componentes

⚠ ADVERTÊNCIA: O uso de peças de reposição diferentes das especificadas neste manual aumenta o risco de lesão. Nunca use acessórios de corte diferentes dos descritos neste manual.

| COMPONENTES DE REPOSIÇÃO | | NÚMERO DE PEÇA |
|---|--|--|
| Sabre | 35 cm (14 pol) | 140SDEA041 |
| | 40 cm (16 pol) | 160SDEA041 |
| Corrente e pedra, PowerSharp® | Elo 52 de 35 cm (14 pol) | 560507 |
| | Elo 56 de 40 cm (16 pol) | 560510 |
| Bateria, modelo B425E | | 585527 |
| Bateria, modelo B600E | | 548208 |
| Bateria, modelo B650E | | 583684 |
| Carregador com cabo, modelo C650 | | 594076 |
| Carregador com cabo, modelo C750 | | 548185 |
| CARREGADOR | MODELO C650 | MODELO |
| Entrada | 100-240 V~ 50-60 Hz 60 W | 100-240 V~ 50-60 Hz 260 W |
| Entrada (somente EUA e Canadá) | 120 V~ 60 Hz 60 W | 120 V~ 60 Hz 260 W |
| Saída | 41,5 V \equiv 1,8 A | 41 V \equiv 4,0 A |
| Cabo de alimentação | Nº da peça - EUA/CAN: 594076 Nº da peça - UE: 594078 Nº da peça - REINO UNIDO: 596303 Nº da peça - AUSTR/N. ZE: 597130 | Nº da peça - EUA/CAN: 585068 Nº da peça - UE: 585069 Nº da peça - REINO UNIDO: 585070 Nº da peça - AUSTR/N. ZE: 585073 |
| BATERIA | | |
| Tipo | Íon de lítio | |
| Temperaturas de operação | 0 °C a 40 °C (32° F a 104 °F) | |
| Modelo | Capacidade, nominal | Tensão, nominal |
| B425E | 2,6 Ah / 94 Wh | +36 VDC |
| B600E | 4,0 Ah / 144 Wh | +37 VDC |
| B650E | 6,0 Ah / 216 Wh | +37 VDC |
| MOTOSSERRA | | |
| Capacidade de óleo | 120 ml (4,1 oz) | |
| Óleo do sabre e da corrente | Marca Oregon® | |
| Peso seco com B400E | 5,9 kg (12,9 lb) | |
| Peso seco sem bateria, sabre e corrente | 3,8 kg (8,3 lb) | |
| Nível de potência sonora | 100 dB (K = 2,5 dB) | |
| Vibração | 0,794 m/s ² (alça dianteira) 1,891 m/s ² (empunhadura traseira) | |
| Comprimento máximo do sabre | 40 cm (16 pol) | |
| Passo da corrente | 3/8 pol perfil baixo - 91 | |
| Medida da corrente | 1,3 mm (0,050 pol) | |
| Dentes da roda dentada | 6 | |
| Velocidade da corrente sem carga | 14,2 m/s (46,6 pés/s) | |

Garantia e manutenção

Garantia

Blount, Inc. garante todas as ferramentas sem fio e carregadores da Oregon® registrados por um período de três (3) anos e todas as baterias Oregon® registradas por dois (2) anos a partir da data original da compra. As ferramentas sem fio, baterias e carregadores da Oregon® são garantidos por dois (2) anos, se usados com finalidade comercial. Essa garantia limitada se aplica aos produtos do sistema de ferramentas sem fio da Oregon®. Durante o período de garantia, a Blount substituirá ou, a seu critério, consertará gratuitamente, somente para o comprador original, qualquer produto ou peça fabricada que for considerada, segundo avaliação da Blount, defeituosa quanto ao material e/ou mão de obra. O comprador será responsável por todos os encargos de transporte e qualquer custo de remoção de qualquer peça enviada para substituição nos termos desta garantia.

Para registrar seu produto, visite a seção “suporte” da **OregonCordless.com**.

Informações de manutenção e suporte

Acesse **OregonCordless.com** para obter informações sobre a central de serviços ou entre em contato com nosso departamento de atendimento ao cliente pelo telefone 888.313.8665 para obter ajuda, conselho técnico adicional, reparo, peças de reposição ou registrar o produto.

Visando a segurança, use somente peças sobressalentes originais de fábrica na motosserra. Nossa central de atendimento conta com uma equipe treinada para fornecer, com eficiência, suporte e assistência adicionais com ajustes, reparo ou substituição de todos os produtos do sistema de ferramentas sem fio da Oregon®.



OregonProducts.com

Blount International, Inc.
4909 SE International Way
Portland, OR 97222-4679 USA